



Precision, 4-Channel/Dual 2-Channel, Low-Voltage, CMOS Analog Multiplexers

MAX4518/MAX4519

General Description

The MAX4518/MAX4519 precision, monolithic, CMOS analog multiplexers (muxes) offer low on-resistance (less than 100Ω), which is matched to within 4Ω between channels and remains flat over the specified analog signal range (10Ω max). They also offer low leakage over temperature (NO-off leakage current less than 2nA at +85°C) and fast switching speeds (transition time less than 250ns). The MAX4518 is a 4-channel device, and the MAX4519 is a dual 2-channel device.

The MAX4518/MAX4519 are fabricated with Maxim's low-voltage silicon-gate process. Design improvements yield extremely low charge injection (less than 5pC) and guarantee electrostatic discharge protection greater than 2000V.

These muxes operate with a single +2.7V to +15V supply or with bipolar ±2.7V to ±8V supplies, while retaining CMOS-logic input compatibility and fast switching. CMOS inputs provide reduced input loading.

Applications

- Sample-and-Hold Circuits
- Automatic Test Equipment
- Heads-Up Displays
- Guidance and Control Systems
- Military Radios
- Communications Systems
- Battery-Operated Systems
- PBX, PABX
- Audio Signal Routing
- Low-Voltage Data-Acquisition Systems

Features

- ♦ **Guaranteed On-Resistance Match Between Channels (<4Ω)**
- ♦ **Low On-Resistance (<100Ω)**
- ♦ **Guaranteed Flat On-Resistance over Signal Range (<10Ω)**
- ♦ **Guaranteed Low Charge Injection (<5pC)**
- ♦ **NO-Off Leakage Current <2nA at +85°C**
- ♦ **COM-Off Leakage Current <5nA at +85°C**
- ♦ **Electrostatic Discharge Protection >2000V**
- ♦ **Single-Supply Operation (+2.7V to +15V)**
Bipolar-Supply Operation (±2.7V to ±8V)
- ♦ **Low Power Consumption (<300μW)**
- ♦ **Rail-to-Rail Signal Handling**
- ♦ **TTL/CMOS-Logic Compatible**

Ordering Information

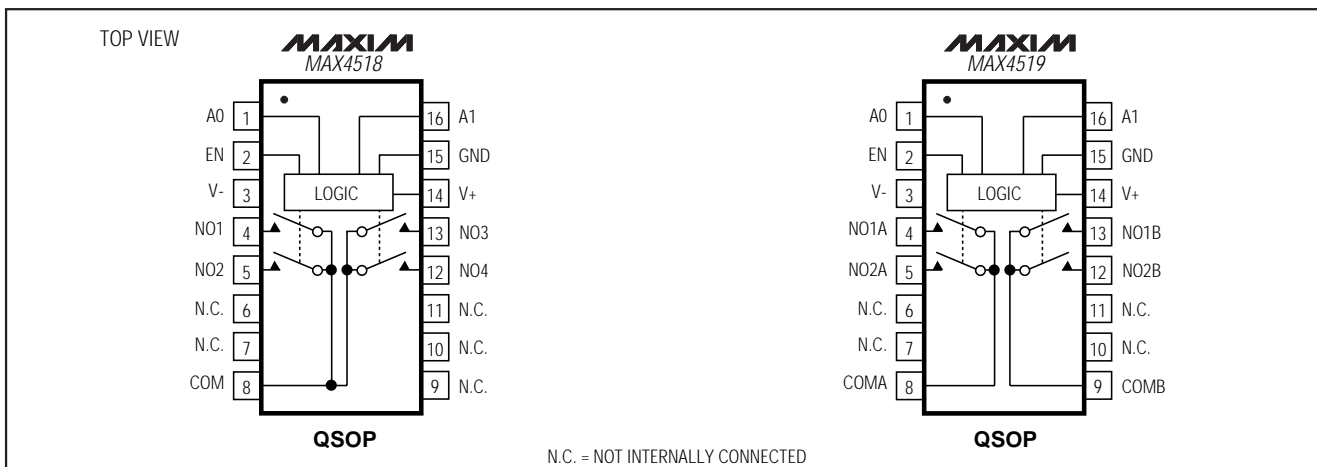
PART	TEMP. RANGE	PIN-PACKAGE
MAX4518CPD	0°C to +70°C	14 Plastic DIP
MAX4518CSD	0°C to +70°C	14 SO
MAX4518CEE	0°C to +70°C	16 QSOP
MAX4518C/D	0°C to +70°C	Dice*
MAX4518EPD	0°C to +70°C	14 Plastic DIP
MAX4518ESD	-40°C to +85°C	14 SO
MAX4518EEE	-40°C to +85°C	16 QSOP
MAX4518MJD	-55°C to +125°C	14 CERDIP**

Ordering Information continued at end of data sheet.

* Contact factory for dice specifications.

** Contact factory for package availability.

Pin Configurations



Precision, 4-Channel/Dual 2-Channel, Low-Voltage, CMOS Analog Multiplexers

ABSOLUTE MAXIMUM RATINGS

(Voltage Referenced to GND)

V+-0.3V to +17V
V-+0.3V to -17V
V+ to V--0.3V to +17V
Voltage into NO ₋ , NC ₋ (Note 1)(V ₋ - 0.3V) to (V ₊ + 0.3V) or 30mA (whichever occurs first)
Voltage into EN, A0, A1 (Note 1)(V ₋ - 0.3V) to (V ₋ + 17V)
Current into Any Terminal30mA
Peak Current, Any Terminal (pulsed at 1ms, 10% duty cycle max)40mA

Continuous Power Dissipation (T _A = +70°C)	
Plastic DIP (derate 10.0mW/°C above +70°C)800mW
Narrow SO (derate 8.0mW/°C above +70°C)640mW
QSOP (derate 9.52mW/°C above +70°C)762mW
CERDIP (derate 9.09mW/°C above +70°C)727mW
Operating Temperature Ranges	
MAX4518C ₋ /MAX4519C ₋0°C to +70°C
MAX4518E ₋ /MAX4519E ₋-40°C to +85°C
MAX4518MJD/MAX4519MJD-55°C to +125°C
Storage Temperature Range-65°C to +150°C
Lead Temperature (soldering, 10sec)+300°C

Note 1: Signals on any terminal exceeding V₊ or V₋ are clamped by internal diodes. Limit forward current to maximum current ratings.

Stresses beyond those listed under "Absolute Maximum Ratings" may cause permanent damage to the device. These are stress ratings only, and functional operation of the device at these or any other conditions beyond those indicated in the operational sections of the specifications is not implied. Exposure to absolute maximum rating conditions for extended periods may affect device reliability.

ELECTRICAL CHARACTERISTICS—Dual Supplies

(V₊ = +4.5V to +5.5V, V₋ = -4.5V to -5.5V, GND = 0V, V_{AH} = V_{ENH} = 2.4V, V_{AL} = V_{ENL} = 0.8V, T_A = T_{MIN} to T_{MAX}, unless otherwise noted.)

PARAMETER	SYMBOL	CONDITIONS		MIN	TYP (Note 2)	MAX	UNITS	
SWITCH								
Analog Signal Range	V _{COM} , V _{NO}	(Note 3)		V-		V+	V	
Channel On-Resistance	R _{ON}	I _{NO} = 1mA, V _{COM} = ±3V	T _A = +25°C		60	100	Ω	
			T _A = T _{MIN} to T _{MAX}			125		
On-Resistance Matching Between Channels (Note 4)	ΔR _{ON}	I _{NO} = 1mA, V _{COM} = ±3.5V, V ₊ = 5V, V ₋ = -5V	T _A = +25°C			4	Ω	
			T _A = T _{MIN} to T _{MAX}			6		
On-Resistance Flatness (Note 5)	R _{FLAT(ON)}	I _{NO} = 1mA; V _{COM} = ±3V, 0V; V ₊ = 5V; V ₋ = -5V	T _A = +25°C			10	Ω	
			T _A = T _{MIN} to T _{MAX}			13		
NO-Off Leakage Current (Note 6)	I _{NO(OFF)}	V _{NO} = ±4.5V, V _{COM} = ±4.5V, V ₊ = 5.5V, V ₋ = -5.5V	T _A = +25°C		-0.1	0.1	nA	
			T _A = T _{MIN} to T _{MAX}	C, E	-2	2		
				M	-20	20		
COM-Off Leakage Current (Note 6)	I _{COM(OFF)}	V _{COM} = ±4.5V, V _{NO} = ±4.5V, V ₊ = 5.5V, V ₋ = -5.5V	MAX4518	T _A = +25°C		-0.2	0.2	nA
				T _A = T _{MIN} to T _{MAX}	C, E	-5	5	
			M		-40	40		
			MAX4519	T _A = +25°C		-0.1	0.1	
				T _A = T _{MIN} to T _{MAX}	C, E	-3	3	
			M		-20	20		
COM-On Leakage Current (Note 6)	I _{COM(ON)}	V _{COM} = ±4.5V, V _{NO} = ±4.5V,	MAX4518	T _A = +25°C		-0.4	0.4	nA
				T _A = T _{MIN} to T _{MAX}	C, E	-10	10	
			M		-100	100		
			MAX4519	T _A = +25°C		-0.2	0.2	
				T _A = T _{MIN} to T _{MAX}	C, E	-5	5	
			M		-50	50		

Precision, 4-Channel/Dual 2-Channel, Low-Voltage, CMOS Analog Multiplexers

MAX4518/MAX4519

ELECTRICAL CHARACTERISTICS—Dual Supplies (continued)

(V+ = +4.5V to +5.5V, V- = -4.5V to -5.5V, GND = 0V, V_{AH} = V_{ENH} = 2.4V, V_{AL} = V_{ENL} = 0.8V, T_A = T_{MIN} to T_{MAX}, unless otherwise noted.)

PARAMETER	SYMBOL	CONDITIONS	MIN	TYP (Note 2)	MAX	UNITS
DIGITAL LOGIC INPUT						
Logic High Input Voltage	V _{AH} , V _{ENH}		T _A = T _{MIN} to T _{MAX}		2.4	V+
Logic Low Input Voltage	V _{AL} , V _{ENL}		T _A = T _{MIN} to T _{MAX}		0	0.8
Input Current with Input Voltage High	I _{AH} , I _{ENH}	V _A = V _{EN} = 2.4V			-0.1	0.1
Input Current with Input Voltage Low	I _{AL} , I _{ENL}	V _A = V _{EN} = 0.8V			-0.1	0.1
SUPPLY						
Power-Supply Range	V+, V-				±2.7	±8
Positive Supply Current	I+	V _{EN} = V _A = 0V/V+, V+ = 5.5V, V- = -5.5V	T _A = +25°C		-1	1
			T _A = T _{MIN} to T _{MAX}		-10	10
Negative Supply Current	I-	V _{EN} = V _A = 0V/V+, V+ = 5.5V, V- = -5.5V	T _A = +25°C		-1	1
			T _A = T _{MIN} to T _{MAX}		-10	10
Ground Current	I _{GND}	V _{EN} = V _A = 0V/V+, V+ = 5.5V, V- = -5.5V	T _A = +25°C		-1	1
			T _A = T _{MIN} to T _{MAX}		-10	10
DYNAMIC						
Transition Time	t _{TRANS}	Figure 2	T _A = +25°C		150	
			T _A = T _{MIN} to T _{MAX}		250	
Break-Before-Make Interval	t _{OPEN}	Figure 4	T _A = +25°C		0	40
Enable Turn-On Time	t _{ON(EN)}	Figure 3	T _A = +25°C		60	150
			T _A = T _{MIN} to T _{MAX}		250	
Enable Turn-Off Time	t _{OFF(EN)}	Figure 3	T _A = +25°C		40	150
			T _A = T _{MIN} to T _{MAX}		200	
Charge Injection (Note 3)	Q	Figure 5, C _L = 1.0nF, V _S = 0V, R _S = 0Ω	T _A = +25°C		0	5
Off Isolation (Note 7)	V _{ISO}	Figure 6, V _{EN} = 0V, R _L = 1kΩ, f = 100kHz	T _A = +25°C		-75	
Crosstalk Between Channels	V _{CT}	Figure 6, V _{EN} = 2.4V, f = 100kHz, V _{GEN} = 1Vp-p, R _L = 1kΩ	T _A = +25°C		-92	
Logic Input Capacitance	C _{IN}	f = 1MHz	T _A = +25°C		8	
NO-Off Capacitance	C _{NO(OFF)}	f = 1MHz, V _{EN} = V _D = 0V	T _A = +25°C		5	
COM-Off Capacitance	C _{COM(OFF)}	f = 1MHz, V _{EN} = V _D = 0V	T _A = +25°C		MAX4518	16
					MAX4519	10
COM-On Capacitance	C _{COM(ON)}	f = 1MHz, V _{EN} = V _D = 0V	T _A = +25°C		MAX4518	27
					MAX4519	17

Precision, 4-Channel/Dual 2-Channel, Low-Voltage, CMOS Analog Multiplexers

ELECTRICAL CHARACTERISTICS—Single +5V Supply

(V+ = +4.5V to +5.5V, V- = 0V, GND = 0V, V_{AH} = V_{ENH} = 2.4V, V_{AL} = V_{ENL} = 0.8V, T_A = T_{MIN} to T_{MAX}, unless otherwise noted.)

PARAMETER	SYMBOL	CONDITIONS		MIN	TYP (Note 2)	MAX	UNITS	
SWITCH								
Analog Signal Range	V _{COM} , V _{NO}	(Note 3)		V-		V+	V	
On-Resistance	R _{ON}	I _{NO} = 1mA, V _{COM} = 3.5V, V+ = 4.5V	T _A = +25°C		150	225	Ω	
			T _A = T _{MIN} to T _{MAX}			280		
On-Resistance Matching Between Channels (Note 4)	ΔR _{ON}	I _{NO} = 1mA, V _{COM} = 3V, V+ = 4.5V	T _A = +25°C			10	Ω	
			T _A = T _{MIN} to T _{MAX}					12
On-Resistance Flatness	R _{FLAT}	I _{NO} = 1mA; V _{COM} = 3V, 2V, 1V; V+ = 5V	T _A = +25°C		10	19	Ω	
			T _A = T _{MIN} to T _{MAX}			15		23
NO-Off Leakage Current (Note 8)	I _{NO(OFF)}	V _{NO} = 4.5V, V _{COM} = 0V, V+ = 5.5V	T _A = +25°C		-0.1	0.1	nA	
			T _A = T _{MIN} to T _{MAX}	C, E	-1.0	1.0		
				M	-10	10		
COM-Off Leakage Current (Note 8)	I _{COM(OFF)}	V _{COM} = 4.5V, V _{NO} = 0V, V+ = 5.5V	MAX4518	T _A = +25°C		-0.2	0.2	nA
				T _A = T _{MIN} to T _{MAX}	C, E	-2.5	2.5	
				M	-20	20		
			MAX4519	T _A = +25°C		-0.2	0.2	
T _A = T _{MIN} to T _{MAX}	C, E	-1.5		1.5				
	M	-10	10					
COM-On Leakage Current (Note 8)	I _{COM(ON)}	V _{COM} = 4.5V, V _{NO} = 4.5V, V+ = 5.5V	MAX4518	T _A = +25°C		-0.4	0.4	nA
				T _A = T _{MIN} to T _{MAX}	C, E	-5	5	
				M	-40	40		
			MAX4519	T _A = +25°C		-0.2	0.2	
T _A = T _{MIN} to T _{MAX}	C, E	-2.5		2.5				
	M	-20	20					
DIGITAL LOGIC INPUT								
Logic High Input Voltage	V _{AH} , V _{ENH}		T _A = T _{MIN} to T _{MAX}	2.4		V+	V	
Logic Low Input Voltage	V _{AL} , V _{ENL}		T _A = T _{MIN} to T _{MAX}	0		0.8	V	
Input Current with Input Voltage High	I _{AH} , I _{ENH}	V _A = V _{EN} = 2.4V		-0.1		0.1	μA	
Input Current with Input Voltage Low	I _{AL} , I _{ENL}	V _A = V _{EN} = 0.8V		-0.1		0.1	μA	
SUPPLY								
Power-Supply Range	V+			2.7		15	V	
Positive Supply Current	I+	V _{EN} = V _A = 0V, V+; V+ = 5.5V; V- = 0V		-10		10	μA	
Negative Supply Current	I-	V _{EN} = V _A = 0V, V+; V+ = 5.5V; V- = 0V		-10		10	μA	
I _{GND} Supply Current	I _{GND}	V _{EN} = V+, 0V; V _A = 0V; V+ = 5.5V; V- = 0V	T _A = +25°C		-1.0	1.0	μA	
			T _A = T _{MIN} to T _{MAX}			-10		10

Precision, 4-Channel/Dual 2-Channel, Low-Voltage, CMOS Analog Multiplexers

MAX4518/MAX4519

ELECTRICAL CHARACTERISTICS—Single +5V Supply (continued)

(V+ = +4.5V to +5.5V, V- = 0V, GND = 0V, V_{AH} = V_{ENH} = 2.4V, V_{AL} = V_{ENL} = 0.8V, T_A = T_{MIN} to T_{MAX}, unless otherwise noted.)

PARAMETER	SYMBOL	CONDITIONS	MIN	TYP (Note 2)	MAX	UNITS
DYNAMIC						
Transition Time	t _{TRANS}	V _{NO} = 3V		90	245	ns
Break-Before-Make Interval	t _{OPEN}		T _A = +25°C	10	40	ns
Enable Turn-On Time	t _{ON(EN)}		T _A = +25°C	90	200	ns
			T _A = T _{MIN} to T _{MAX}		275	
Enable Turn-Off Time	t _{OFF(EN)}		T _A = +25°C	50	125	ns
			T _A = T _{MIN} to T _{MAX}		200	
Charge Injection (Note 3)	Q	C _L = 1.0nF, V _S = 0V, R _S = 0Ω	T _A = +25°C	0	5	pC

ELECTRICAL CHARACTERISTICS—Single +3V Supply

(V+ = +2.7V to +3.3V, V- = 0V, GND = 0V, V_{AH} = V_{ENH} = 2.4V, V_{AL} = V_{ENL} = 0.8V, T_A = T_{MIN} to T_{MAX}, unless otherwise noted.)

PARAMETER	SYMBOL	CONDITIONS	MIN	TYP (Note 2)	MAX	UNITS
SWITCH						
Analog Signal Range	V _{ANALOG}	(Note 3)	V-		V+	V
On-Resistance	R _{ON}	I _{NO} = 0.1mA, V _{COM} = 1.5V, V+ = 3V	T _A = +25°C	230	375	Ω
			T _A = T _{MIN} to T _{MAX}		425	
DYNAMIC						
Transition Time (Note 3)	t _{TRANS}	Figure 1, V _{IN} = 2.4V, V _{INL} = 0V, V _{N01} = 1.5V	T _A = +25°C	230	575	ns
Enable Turn-On Time (Note 3)	t _{ON(EN)}	Figure 3, V _{INH} = 2.4V, V _{INL} = 0V, V _{N01} = 1.5V	T _A = +25°C	200	500	ns
Enable Turn-Off Time (Note 3)	t _{OFF(EN)}	Figure 3, V _{INH} = 2.4V, V _{INL} = 0V, V _{N01} = 1.5V	T _A = +25°C	75	400	ns
Charge Injection (Note 3)	Q	Figure 5, C _L = 1.0nF, V _S = 0V, R _S = 0Ω	T _A = +25°C	0	5	pC

Note 2: The algebraic convention, where the most negative value is a minimum and the most positive value a maximum, is used in this data sheet.

Note 3: Guaranteed by design.

Note 4: ΔR_{ON} = R_{ON(max)} - R_{ON(min)}.

Note 5: Flatness is defined as the difference between the maximum and minimum value of on-resistance as measured over the specified analog signal ranges; i.e., V_{NO} = 3V to 0V and 0V to -3V.

Note 6: Leakage parameters are 100% tested at maximum rated hot operating temperature, and guaranteed by correlation at +25°C.

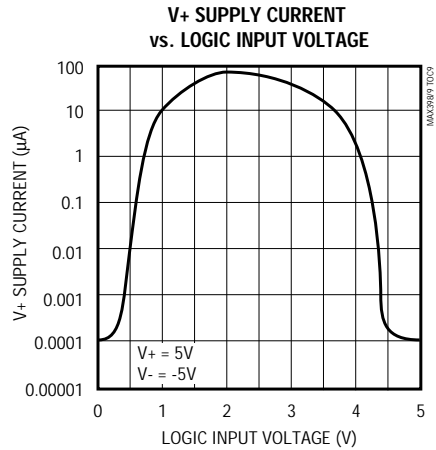
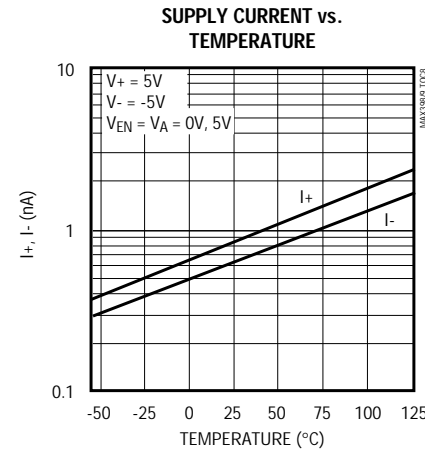
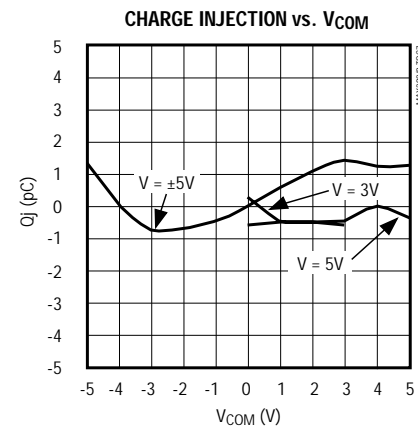
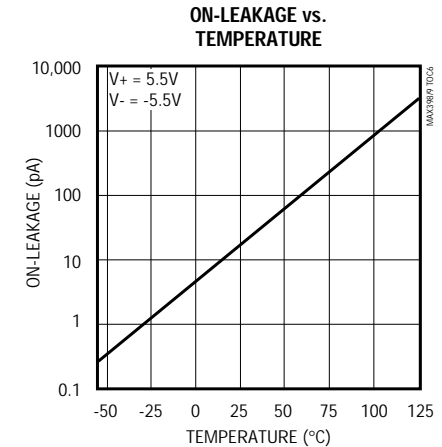
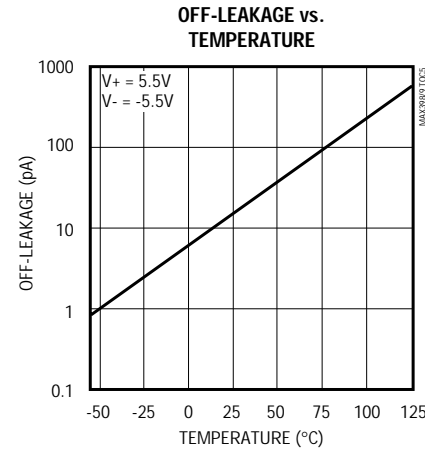
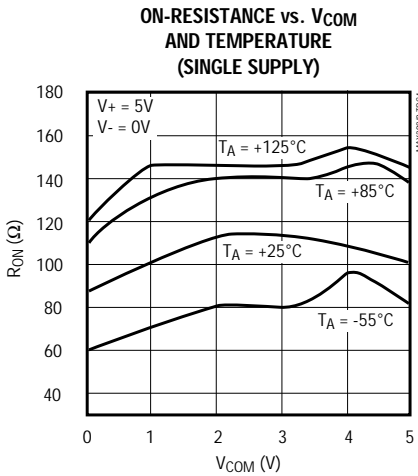
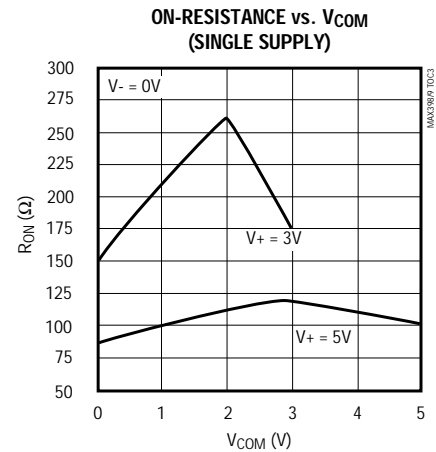
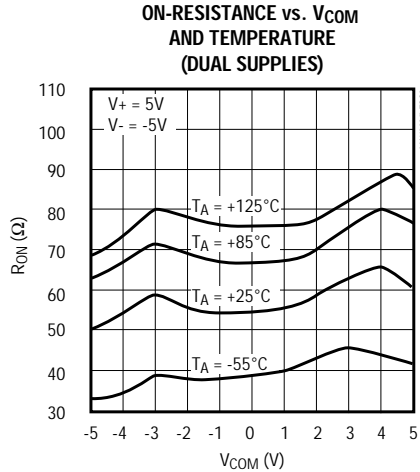
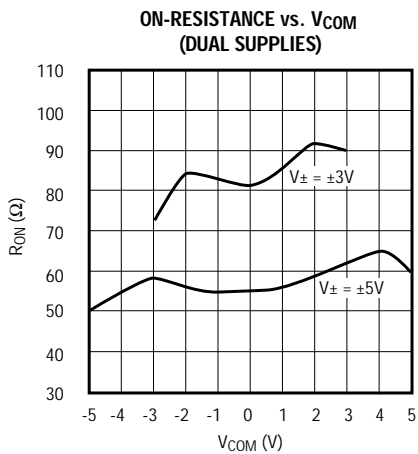
Note 7: Worst-case isolation is on channel 4 because of its proximity to the COM pin. Off isolation = 20log V_{COM}/V_{NO}. V_{COM} = output, V_{NO} = input to off switch.

Note 8: Leakage testing at single supply is guaranteed by correlation testing with dual supplies.

Precision, 4-Channel/Dual 2-Channel, Low-Voltage, CMOS Analog Multiplexers

Typical Operating Characteristics

($T_A = +25^\circ\text{C}$, unless otherwise noted.)



Precision, 4-Channel/Dual 2-Channel, Low-Voltage, CMOS Analog Multiplexers

Pin Description

MAX4518/MAX4519

PIN				NAME	FUNCTION
MAX4518		MAX4519			
DIP/SO	QSOP	DIP/SO	QSOP		
1	1	1	1	A0	Address 0 Logic Input
2	2	2	2	EN	Enable Logic Input
3	3	3	3	V-	Negative Supply Voltage Input. Connect to GND for single-supply operation.
4	4	—	—	NO1	Analog Signal Normally Open number 1
5	5	—	—	NO2	Analog Signal Normally Open number 2
—	—	4	4	NO1A	Analog Signal Normally Open number 1 -A switch
—	—	5	5	NO2A	Analog Signal Normally Open number 2 -A switch
—	—	6	8	COMA	Analog Signal Common -A switch
6	8	—	—	COM	Analog Signal Common
7, 8, 9	6, 7, 9, 10, 11	7, 8	6, 7, 10, 11	N.C.	Not internally connected
—	—	9	9	COMB	Analog Signal Common -B switch
—	—	10	12	NO2B	Analog Signal Normally Open number 2 -B switch
—	—	11	13	NO1B	Analog Signal Normally Open number 1 -B switch
10	12	—	—	NO4	Analog Signal Normally Open number 4
11	13	—	—	NO3	Analog Signal Normally Open number 3
12	14	12	14	V+	Positive Supply Voltage Input
13	15	13	15	GND	Logic Ground Input
14	16	14	16	A1	Address 1 Logic Input

Precision, 4-Channel/Dual 2-Channel, Low-Voltage, CMOS Analog Multiplexers

Applications Information

Operation with Supply Voltages Other than $\pm 5V$

Using supply voltages less than $\pm 5V$ reduces the analog signal range. The MAX4518/MAX4519 muxes operate with $\pm 2.7V$ to $\pm 8V$ bipolar supplies or with a $+2.7V$ to $+15V$ single supply. Connect V^- to GND when operating with a single supply. Both device types can also operate with unbalanced supplies, such as $+10V$ and $-5V$. The *Typical Operating Characteristics* graphs show typical on-resistance with $\pm 3V$, $\pm 5V$, $+3V$ and $+5V$ supplies. (Switching times increase by a factor of two or more for operation at $5V$.)

Overvoltage Protection

Proper power-supply sequencing is recommended for all CMOS devices. Do not exceed the absolute maximum ratings, because stresses beyond the listed ratings can cause permanent damage to the devices. Always sequence V^+ on first, then V^- , followed by the logic inputs, NO, or COM. If power-supply sequencing is not possible, add two small signal diodes ($D1$, $D2$) in series with supply pins for overvoltage protection (Figure 1). Adding diodes reduces the analog signal range to one diode drop below V^+ and one diode drop

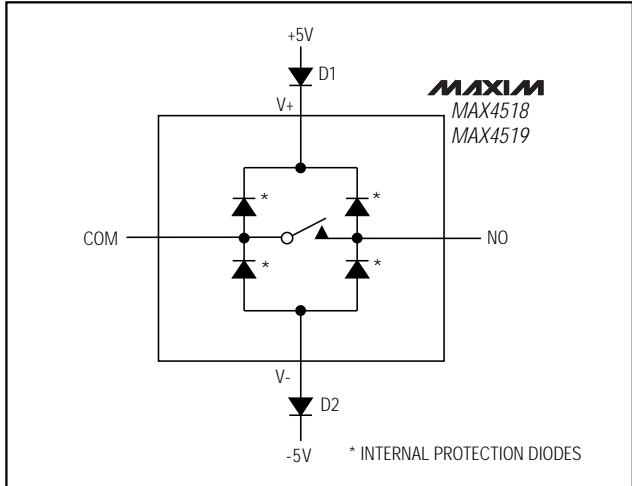


Figure 1. Overvoltage Protection Using External Blocking Diodes

above V^- , but does not affect the devices' low switch resistance and low leakage characteristics. Device operation is unchanged, and the difference between V^+ and V^- should not exceed $17V$. These protection diodes are not recommended when using a single supply.

Test Circuits/Timing Diagrams

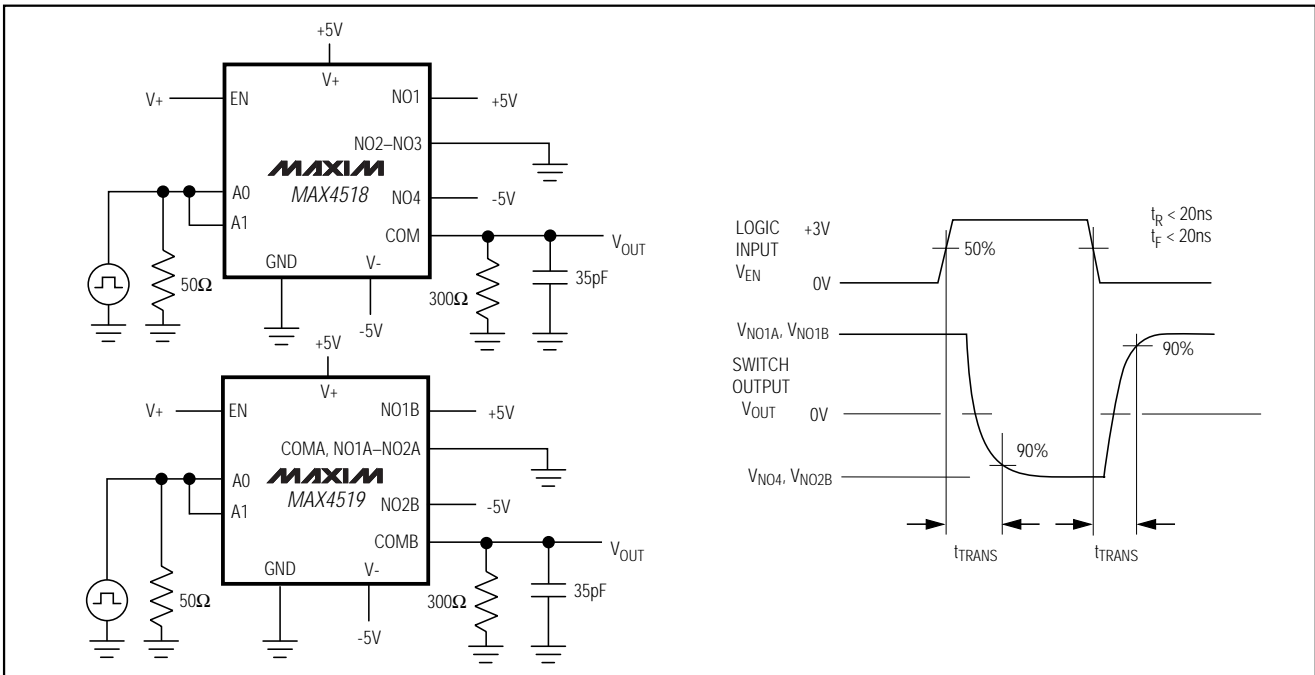


Figure 2. Transition Time

Precision, 4-Channel/Dual 2-Channel, Low-Voltage, CMOS Analog Multiplexers

Test Circuits/Timing Diagrams (continued)

MAX4518/MAX4519

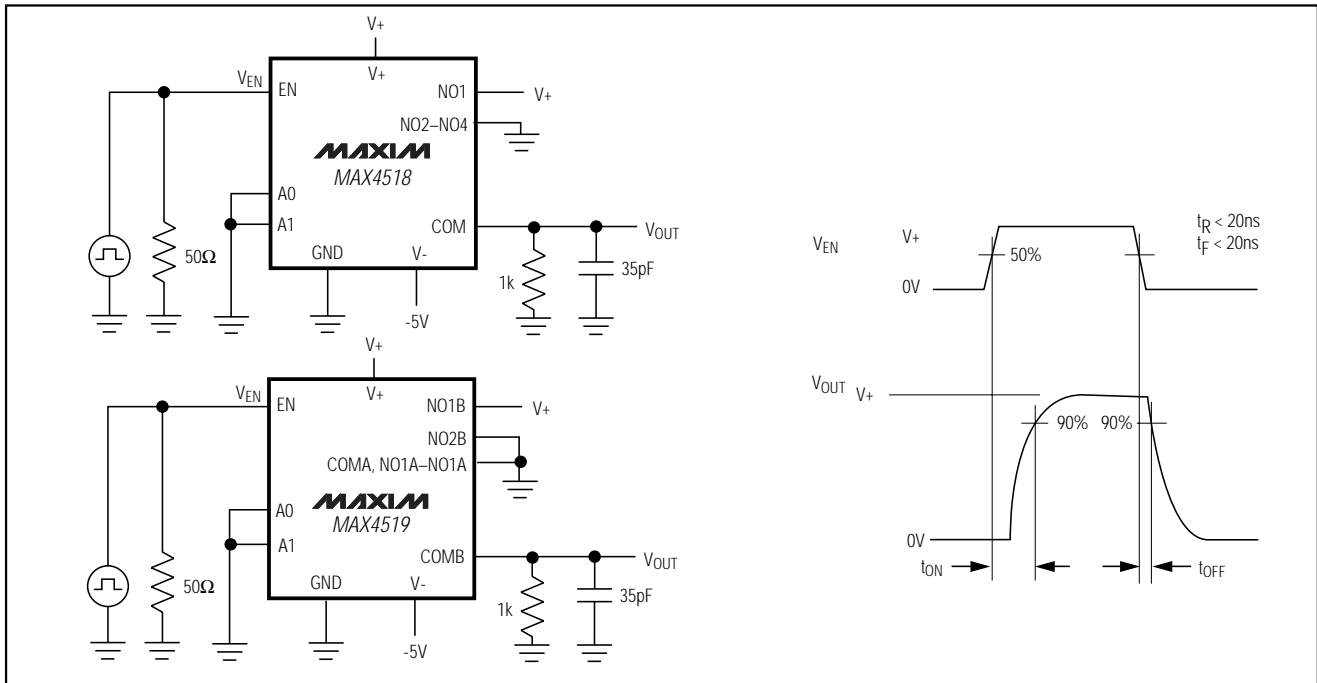


Figure 3. Enable Switching Time

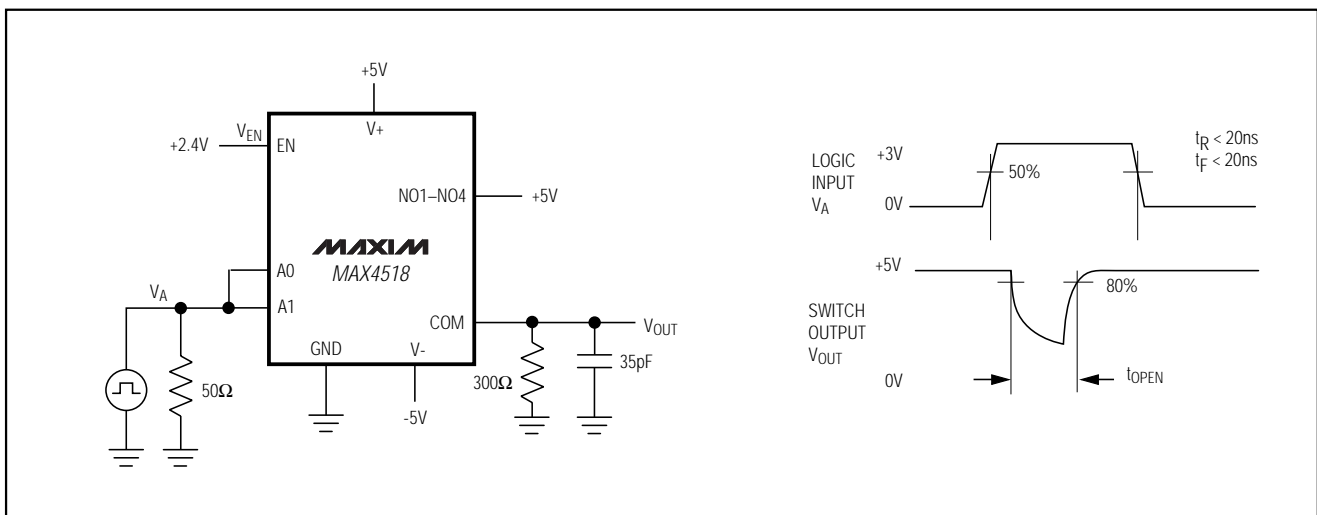


Figure 4. Break-Before-Make Interval

Precision, 4-Channel/Dual 2-Channel, Low-Voltage, CMOS Analog Multiplexers

Test Circuits/Timing Diagrams (continued)

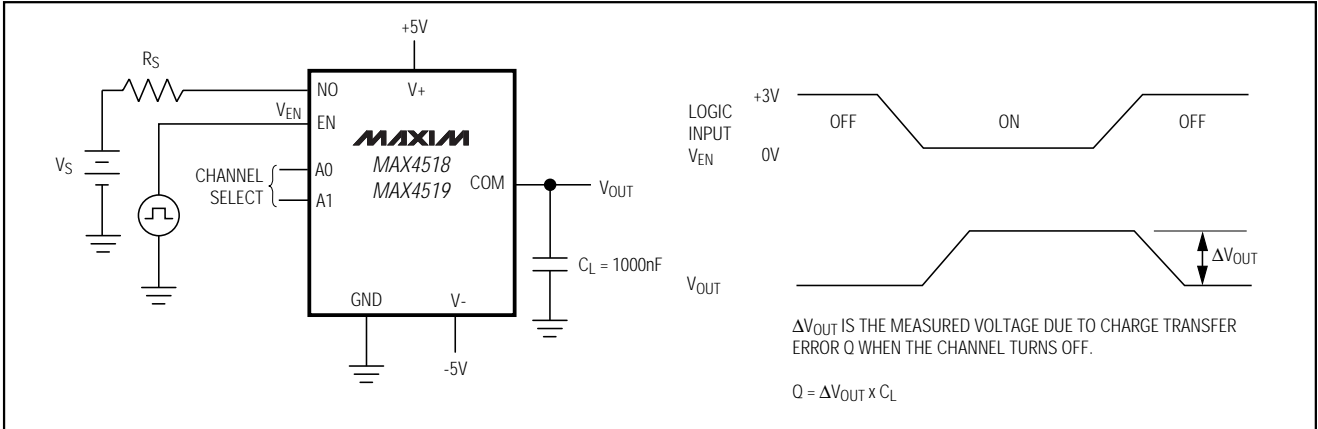


Figure 5. Charge Injection

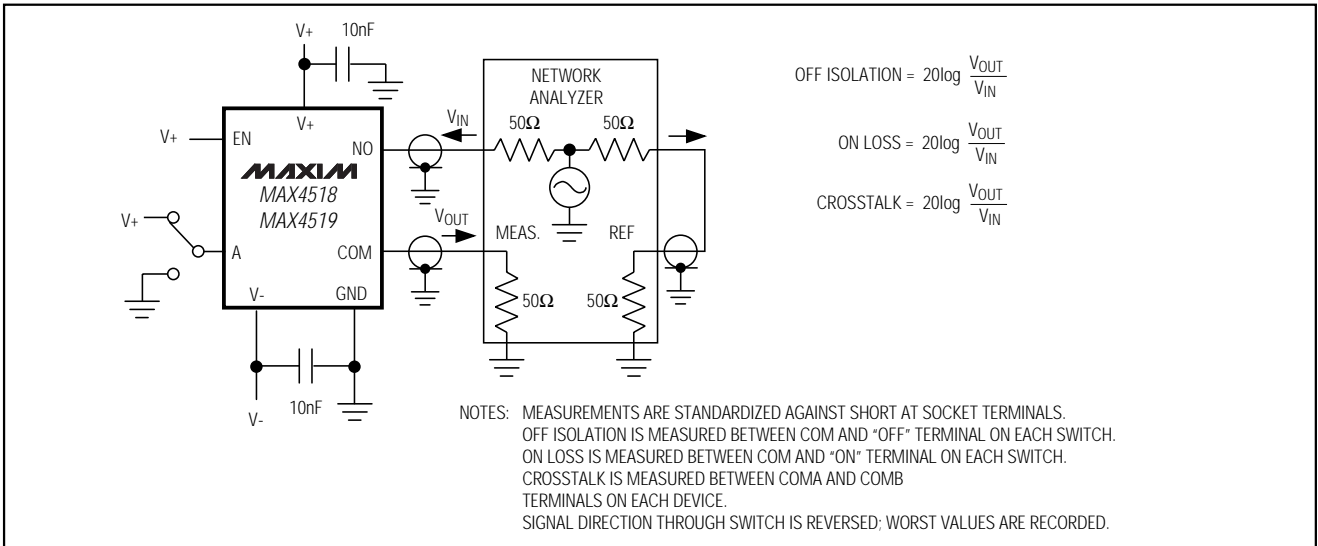


Figure 6. Off Isolation, On Loss, Crosstalk

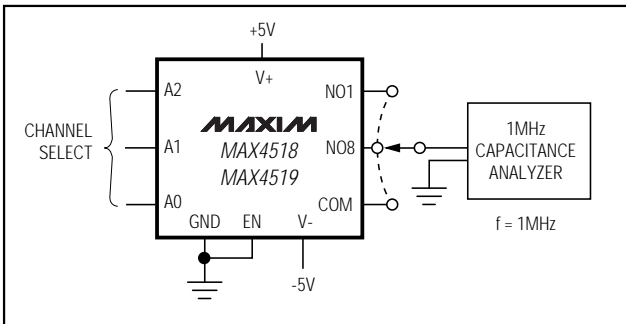


Figure 7. NO/COM Capacitance

Precision, 4-Channel/Dual 2-Channel, Low-Voltage, CMOS Analog Multiplexers

Functional Diagrams/Truth Tables

MAX4518/MAX4519

MAX4518

MAX4518			
A1	A0	EN	ON SWITCH
X	X	0	NONE
0	0	1	NO1
0	1	1	NO2
1	0	1	NO3
1	1	1	NO4

MAX4519

MAX4519			
A1	A0	EN	ON SWITCH
X	X	0	NONE
0	0	1	NO1A, NO1B
0	1	1	NO2A, NO1B
1	0	1	NO1A, NO2B
1	1	1	NO2A, NO2B

LOGIC "0" $V_{AL} \leq +0.8\text{ V}$, LOGIC "1" $V_{AH} \geq +2.4\text{ V}$

Pin Configurations (continued)

TOP VIEW

MAX4518

DIP/SO

MAX4519

DIP/SO

N.C. = NOT INTERNALLY CONNECTED

Precision, 4-Channel/Dual 2-Channel, Low-Voltage, CMOS Analog Multiplexers

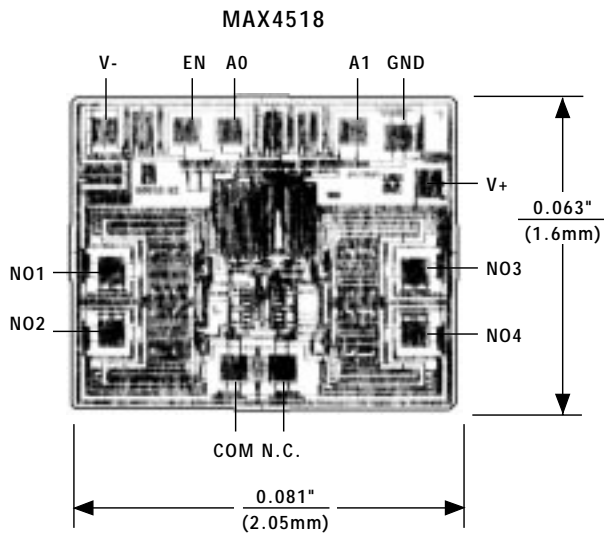
_Ordering Information (continued)

PART	TEMP. RANGE	PIN-PACKAGE
MAX4519CPD	0°C to +70°C	14 Plastic DIP
MAX4519CSD	0°C to +70°C	14 SO
MAX4519CEE	0°C to +70°C	16 QSOP
MAX4519C/D	0°C to +70°C	Dice*
MAX4519EPD	0°C to +70°C	14 Plastic DIP
MAX4519ESD	-40°C to +85°C	14 SO
MAX4519EEE	-40°C to +85°C	16 QSOP
MAX4519MJD	-55°C to +125°C	14 CERDIP**

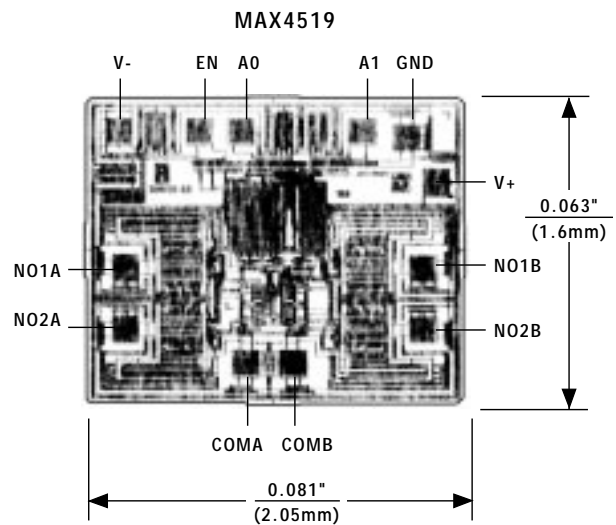
* Contact factory for dice specifications.

** Contact factory for package availability.

Chip Topographies



TRANSISTOR COUNT: 86
SUBSTRATE CONNECTED TO V+



TRANSISTOR COUNT: 86
SUBSTRATE CONNECTED TO V+

Maxim cannot assume responsibility for use of any circuitry other than circuitry entirely embodied in a Maxim product. No circuit patent licenses are implied. Maxim reserves the right to change the circuitry and specifications without notice at any time.

12 _____ Maxim Integrated Products, 120 San Gabriel Drive, Sunnyvale, CA 94086 408-737-7600