

Product Information



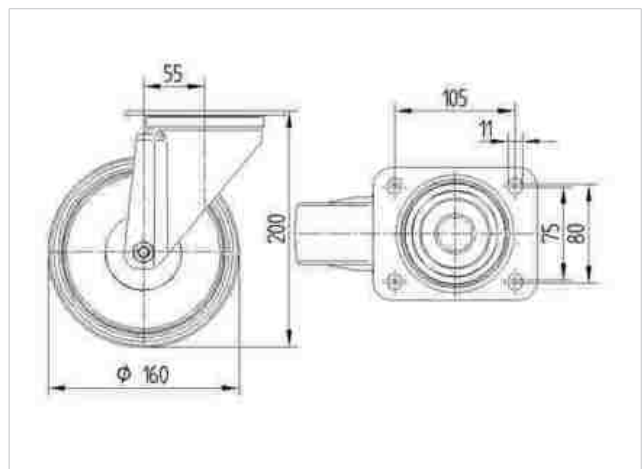
8470UOO160P63

EAN 4031582312720

Swivel castor, housing made of Stainless Steel, double ball bearing swivel head, wheel axle with nut, plate fitting.

Wheel centre made of Polyamide, plain bearing

Technical Data	
Wheel diameter	160 mm
Width of Tread	40 mm
Size of Plate	137 x 105 mm
Plate hole centres	105 x 80/75 mm
Plate hole	11 mm
Offset	55 mm
Swivel Interference	270 mm
Overall height	200 mm
Temperature	- 40 / + 80 °C
Standard	EN 12532
Weight	1.809 kg
Swivel Radius	135 mm
Hardness of tread	D 75 Shore
Load capacity	500 kg
Load capacity (static)	1000 kg



Roll performance	+	+	+	+	+
Movement noise	+	+	+	+	+
Attrition	+	+	+	+	+
Corrosion resistance	+	+	+	+	+



8470UOO160P63

EAN 4031582312720

