

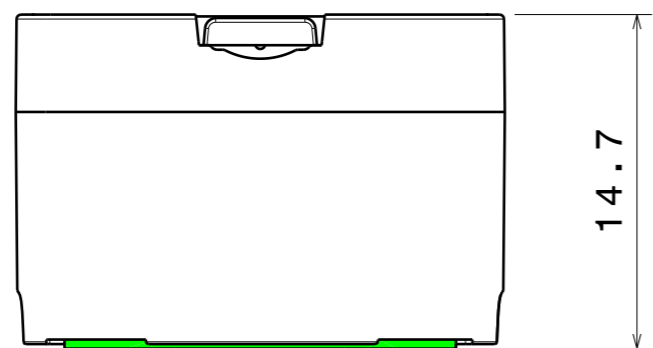
## DETAILS

<b>Product Number</b>	CA14132_LXP2-RS2
<b>Family</b>	Leila
<b>Type</b>	Assembly
<b>Color</b>	white
<b>Diameter</b>	21,6 mm
<b>Height</b>	14,6 mm
<b>Style</b>	round
<b>Optic Material</b>	PMMA
<b>Holder Material</b>	PC
<b>Fastening</b>	
<b>Status</b>	ready
<b>ROHS Compliant</b>	Yes
<b>Date Updated</b>	3/07/2015

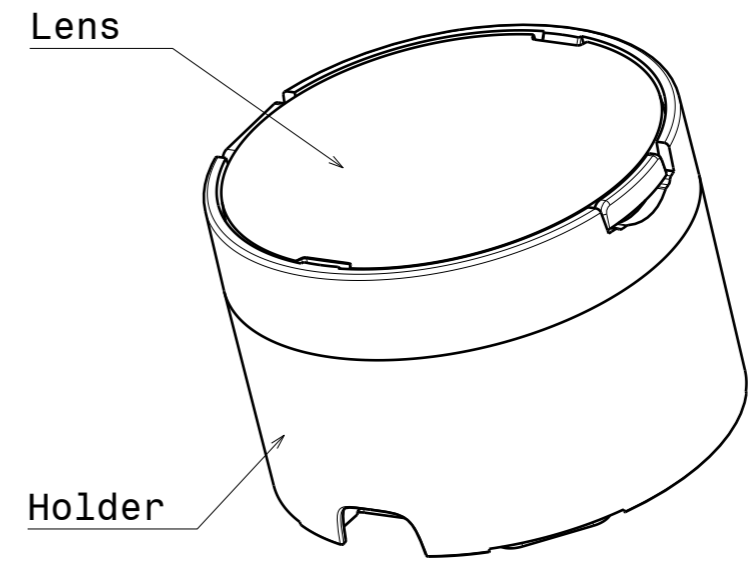


## OPTICAL PROPERTIES

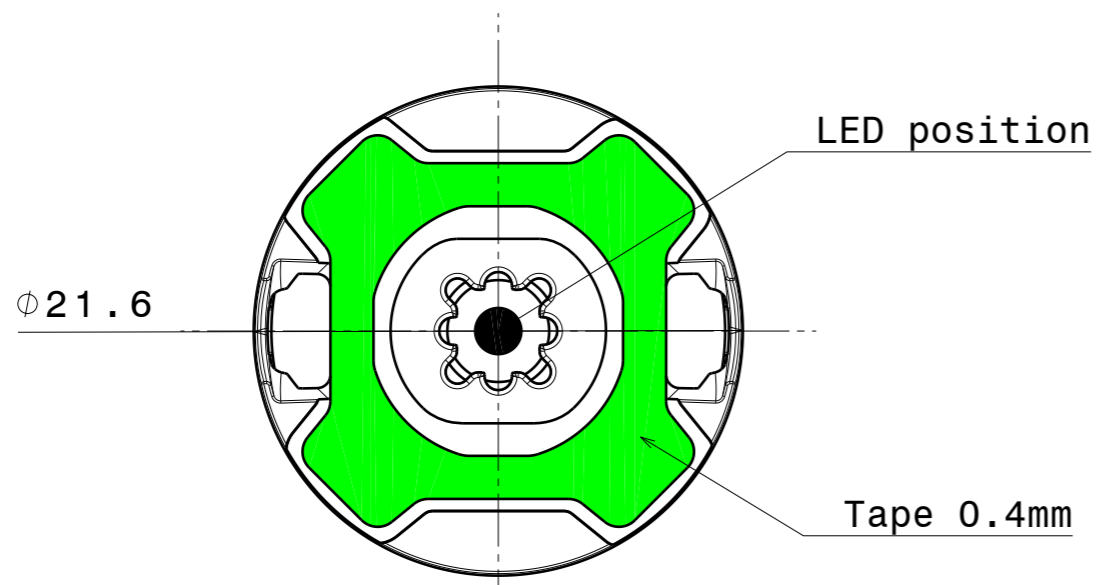
LED	Viewing	Light	Effi-	cd/lm	Connector
	Angle	Beam	ciency		
XP-L HI	8 deg	RS2-class	93 %	18.600	-
XP-E2	8 deg	RS2-class	90 %	29.700	-
XT-E	8 deg	RS2-class	92 %	15.600	-
XP-G2	11 deg	RS2-class	90 %	19.400	-



Front view  
Scale: 3:1



Isometric view  
Scale: 3:1



Bottom view  
Scale: 3:1

INDEX	DESCRIPTION	MATERIAL	COLOUR
1	Lens	PMMA	
2	Holder	PC	black
3	Tape	PU 2-sided foam tape	adhesive

Tolerances if not otherwise shown  
According to DIN ISO 2768-1  
Linear measures:  
Up to 30mm class M, otherwise class C.  
According to DIN ISO 2768-2  
Form and position: class L

**LEDiL** LediL Oy  
Salorankatu 10  
FIN 24240 SALO  
Finland

THIRD ANGLE PROJECTION:

DRAWING TITLE  
**Datasheet\_LXP2-Series**

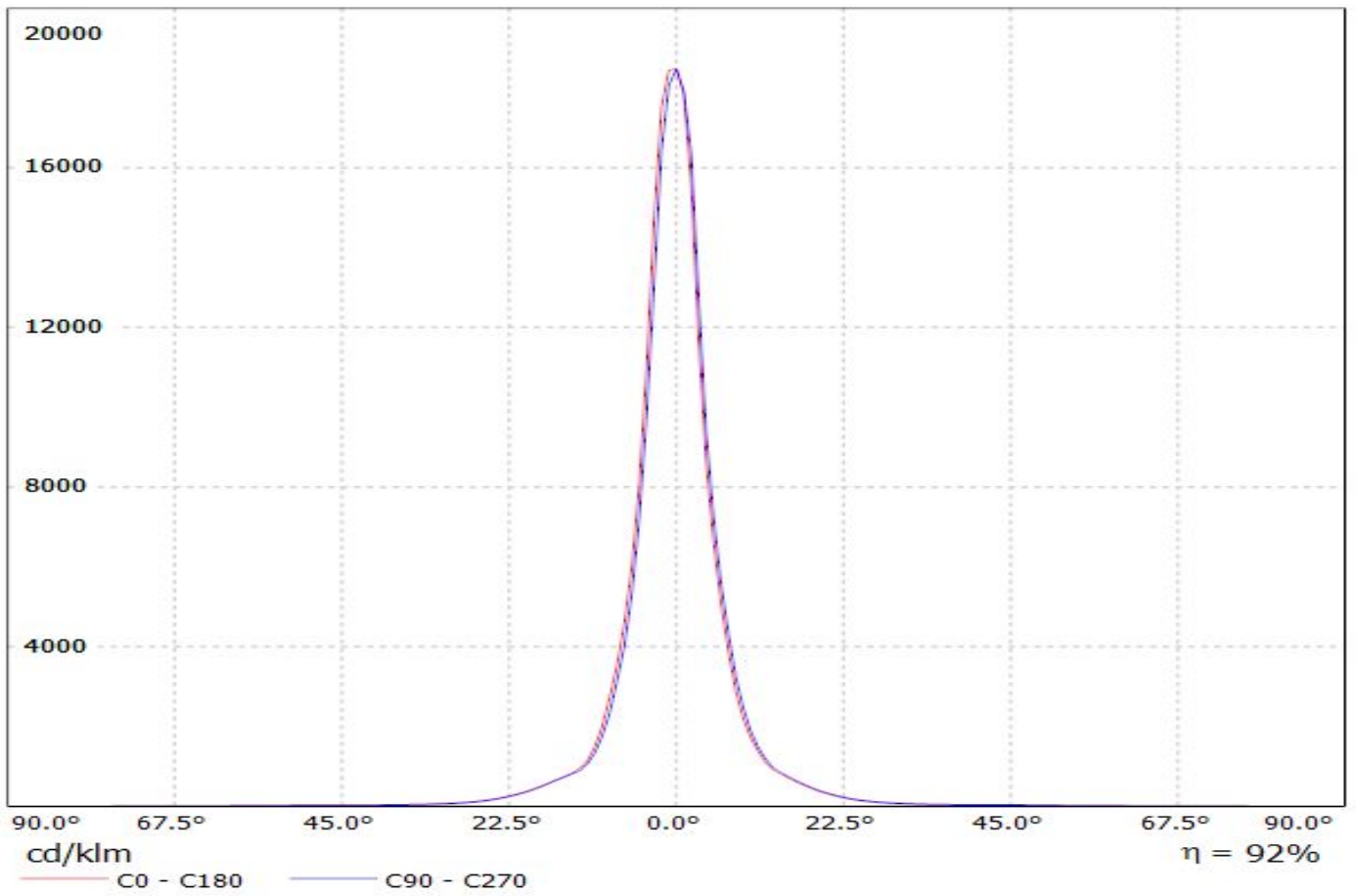
This drawing is the property of LEDiL Oy. It may not be reproduced, copied or communicated without a written agreement with LEDiL Oy.

SIZE PART NUMBER  
**A3** -

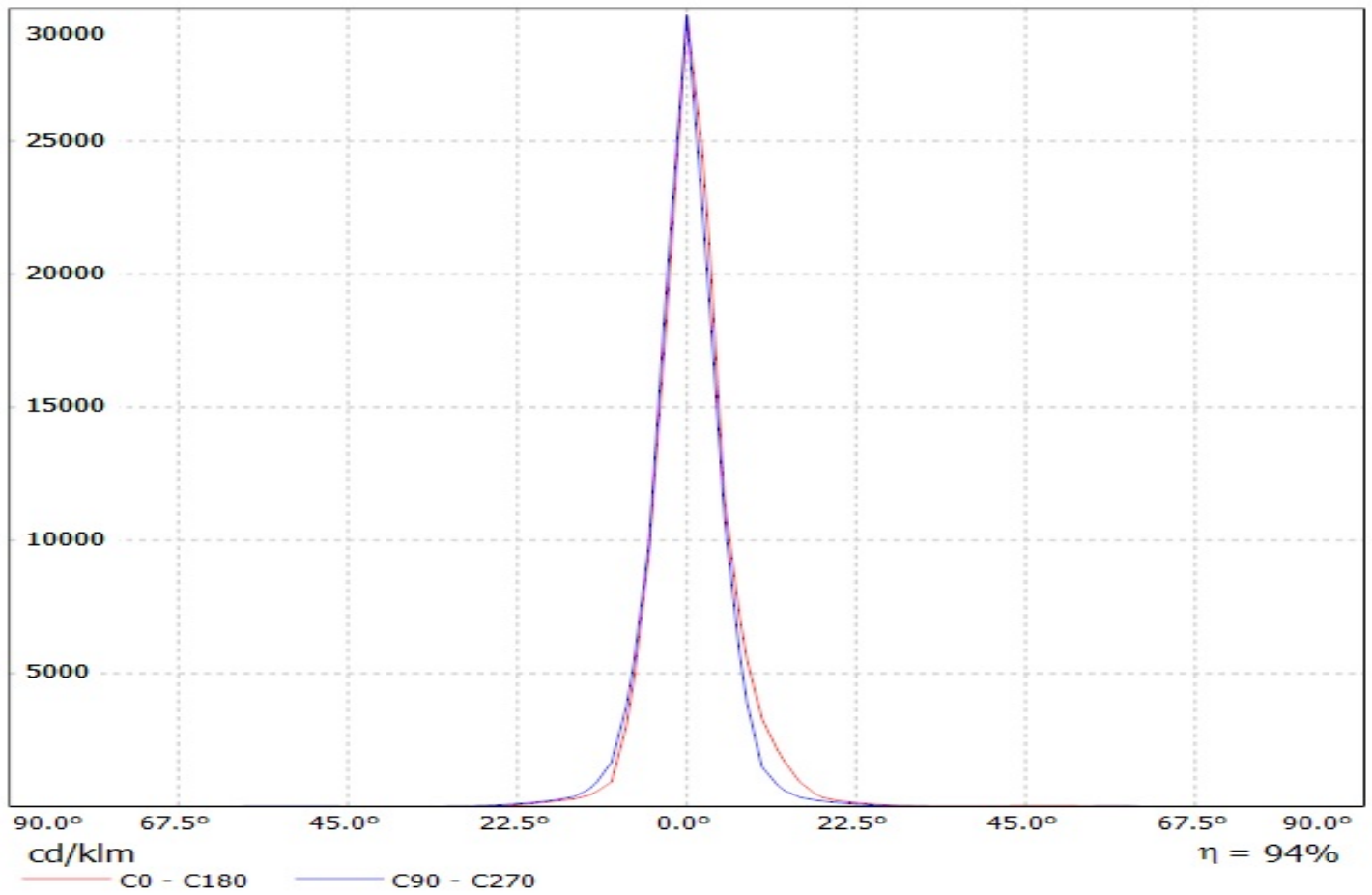
SCALE 3:1 WEIGHT - SHEET 1/1

Luminaire: Ledil CA14132\_LXP2-RS2\_(XP-L\_HI)

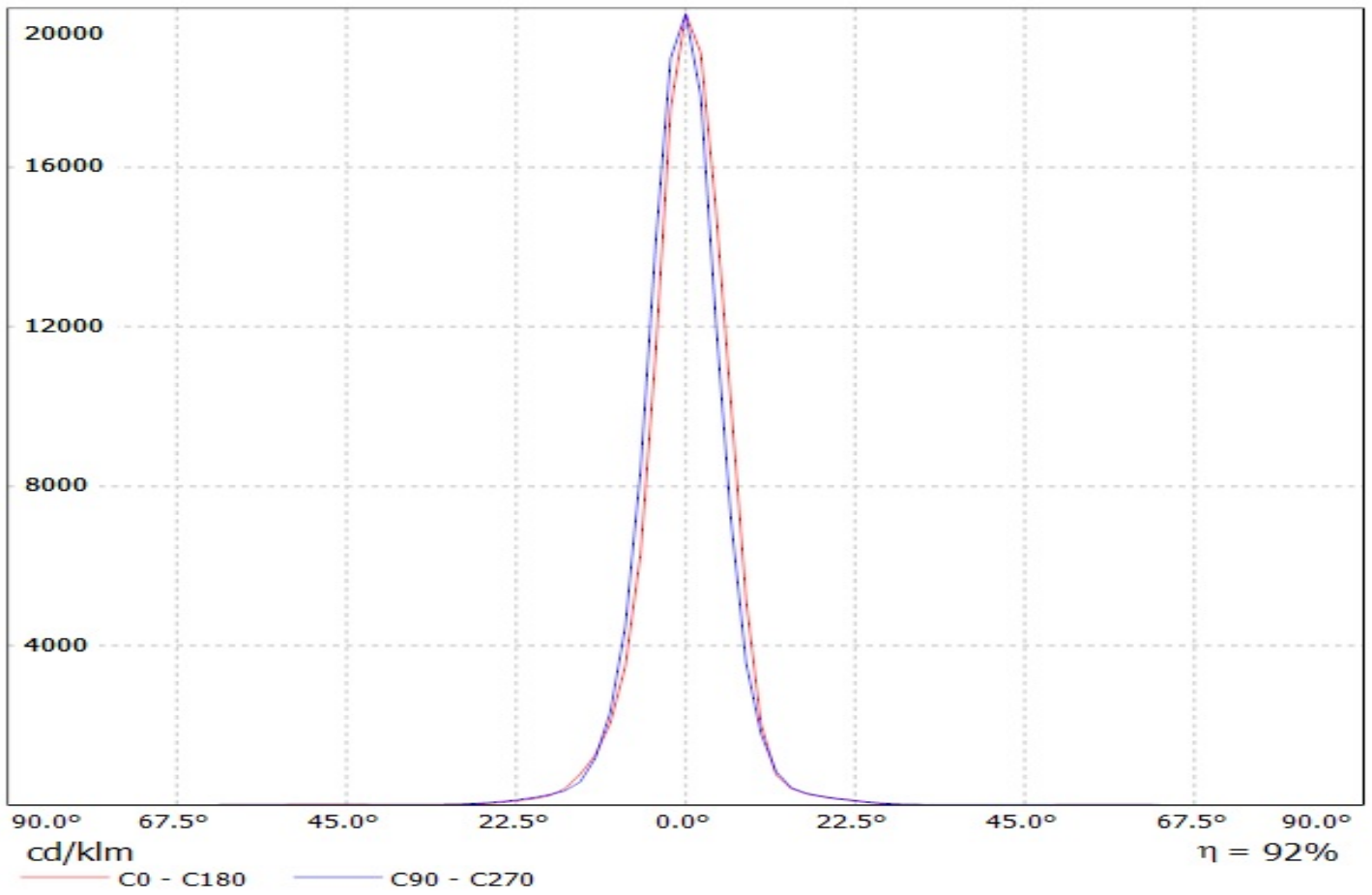
Lamps: 1 x CREE\_XP-L\_HI\_116.971lm@250mA\_P=0.75W\_I=0.25A



Luminaire: LEDil Oy CA14132\_LXP2-RS2\_(XP-E2) Efficiency=90%  
Lamps: 1 x Cree XP-E2 (92lm @ 250mA) CCT=5500K P=0.8W I=250mA

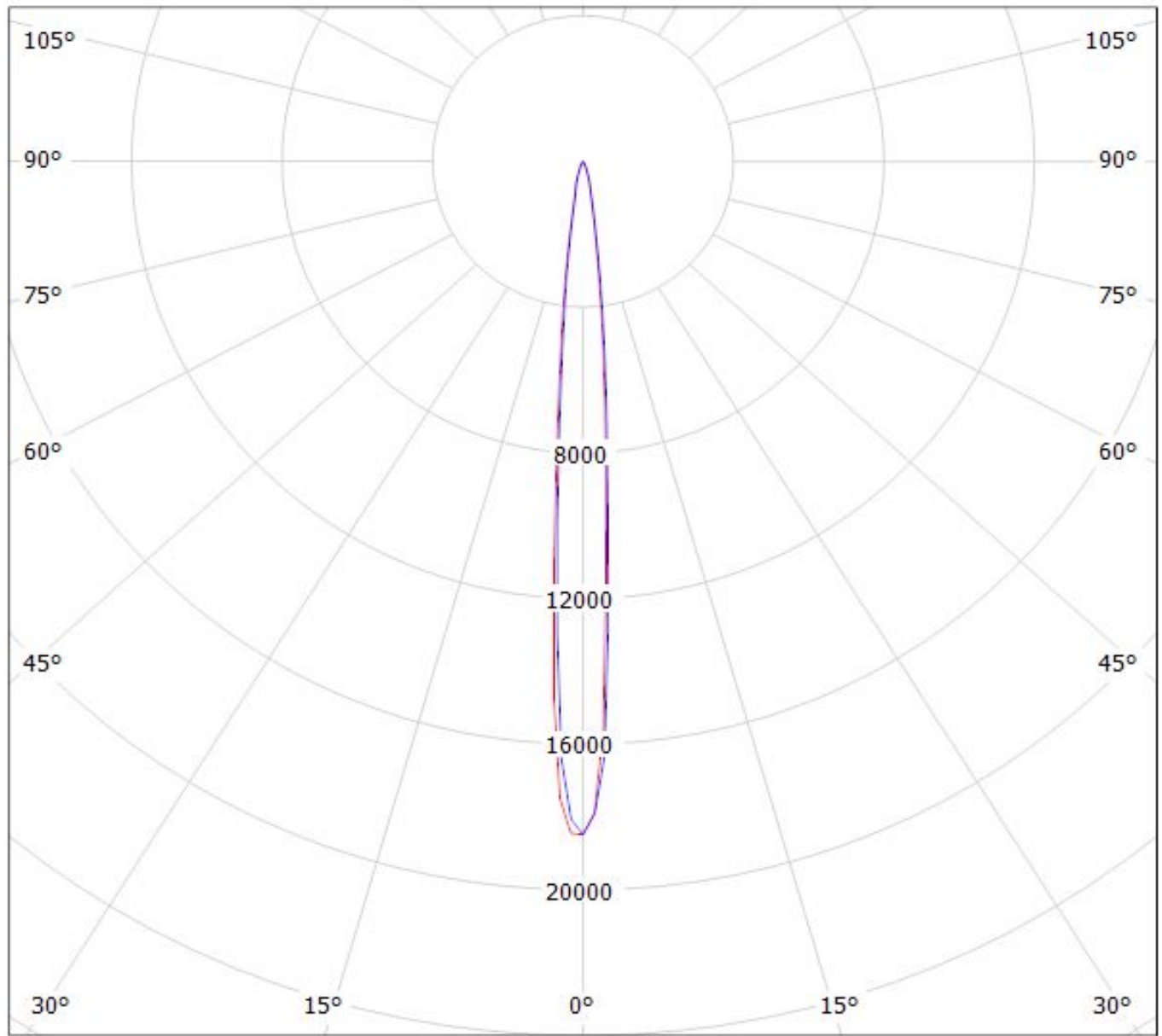


Luminaire: LEDil Oy Luminaire Catalog Number CA14132\_LXP2-RS2\_(XP-G2) Efficiency=90%  
Lamps: 1 x Cree XP-G2 (XPGBWT-L1-0000-00FE4) 102lm @ 250mA CCT=4900K P=0.8W I=250mA



Luminaire: Ledil CA14132\_LXP2-RS2\_(XP-L\_HI)

Lamps: 1 x CREE\_XP-L\_HI\_116.971lm@250mA\_P=0.75W\_I=0.25A



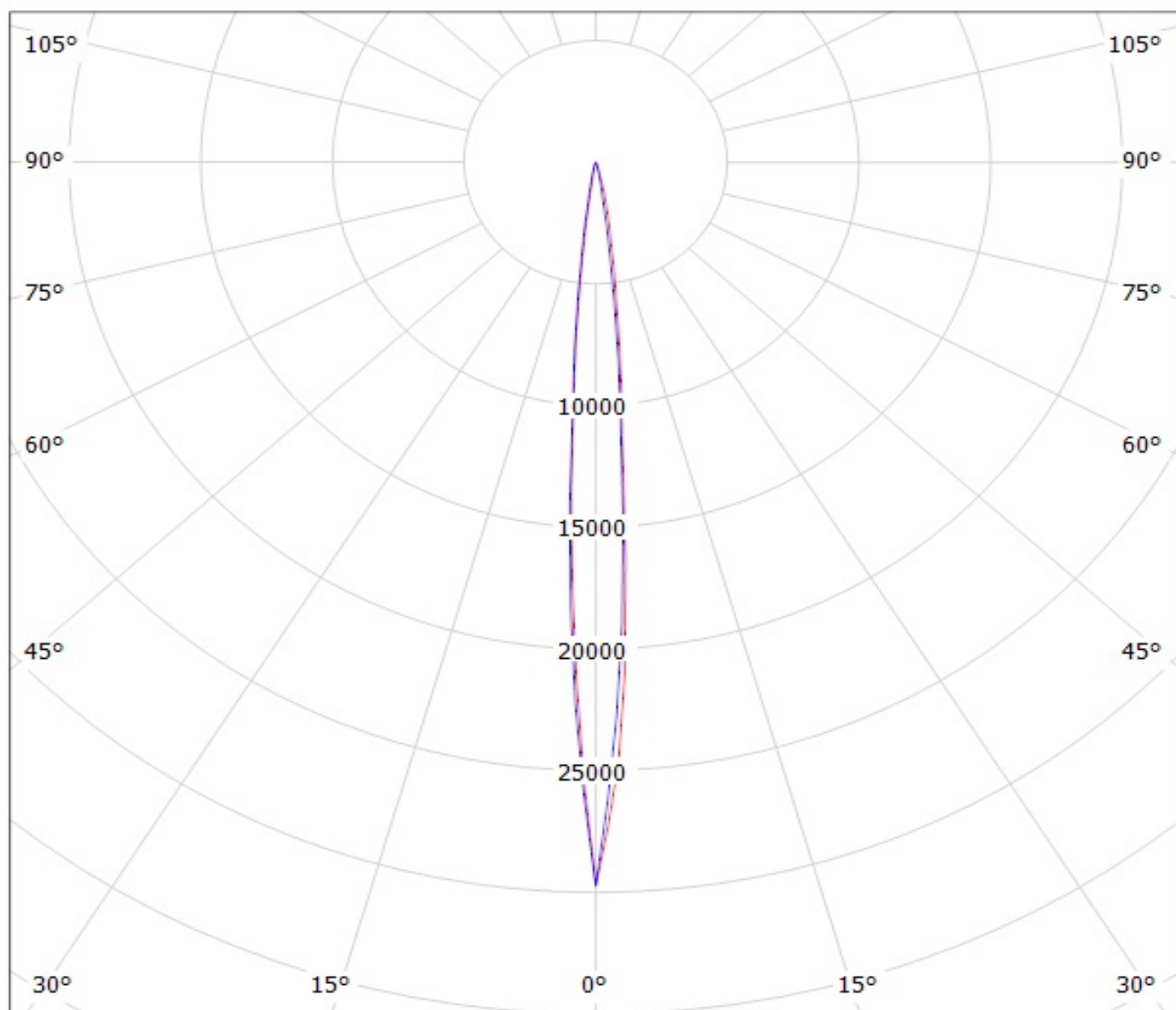
cd/klm

— C0 - C180

— C90 - C270

$\eta = 92\%$

Luminaire: LEDil Oy CA14132\_LXP2-RS2\_(XP-E2) Efficiency=90%  
Lamps: 1 x Cree XP-E2 (92lm @ 250mA) CCT=5500K P=0.8W I=250mA



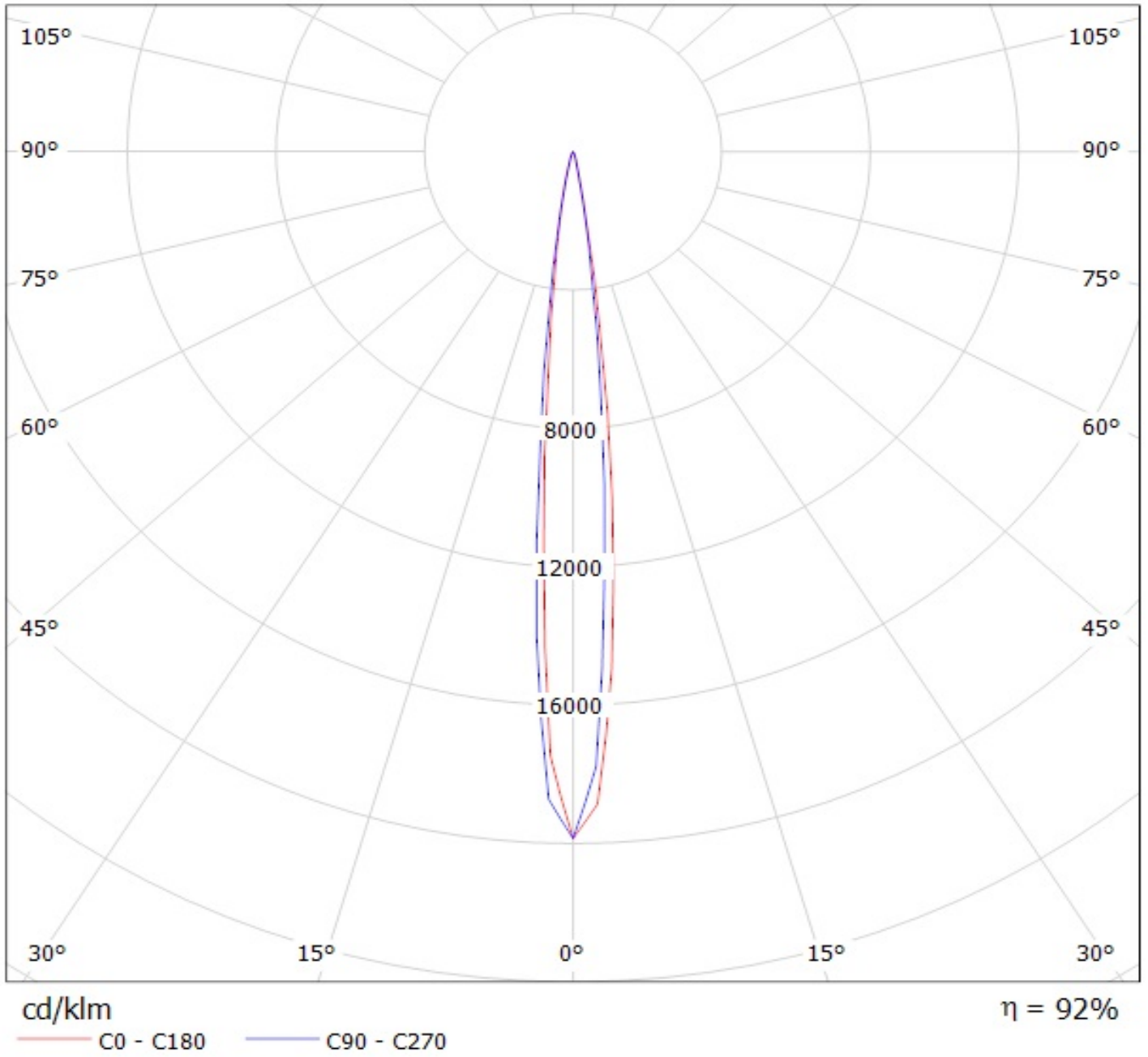
cd/klm

— C0 - C180

— C90 - C270

$\eta = 94\%$

Luminaire: LEDil Oy Luminaire Catalog Number CA14132\_LXP2-RS2\_(XP-G2) Efficiency=90%  
Lamps: 1 x Cree XP-G2 (XPGBWT-L1-0000-00FE4) 102lm @ 250mA CCT=4900K P=0.8W I=250mA





**NOTE: The typical divergence will be changed by different color, chip size and chip position tolerance. The typical total divergence is the full angle measured where the luminous intensity is half of the peak value.**