



Product type designation	B180		
Contact characteristics			
Number of poles	nr.	3	
Rated insulation voltage U _i	V	1000	
Rated impulse withstand voltage U _{imp}	kV	8	
Operating frequency	Operational frequency min	Hz	25
	Operational frequency max	Hz	400
Conventional free air thermal current I _{th}	A	275	
Operating current	Operational current AC3 (≤440V ≤55°C)	A	185
	Operational current AC4 (400V)	A	65
Short-time allowable current for 10s (IEC/EN60947-1)	A	1500	
Protection fuse	gG (IEC)	A	315
	aM (IEC)	A	200
Making capacity (RMS value)	A	1850	
Breaking capacity at voltage	Breaking capacity 440V	A	1850
	Breaking capacity 500V	A	1600
	Breaking capacity 690V	A	1480
Resistance per pole (average value)	mΩ	0.3	
Power dissipation per pole (average value)	Power dissipation pole (average value) I _{th}	W	20.3
	AC3	W	9.7
Tightening torque for terminals	min	Nm	18
	max	Nm	18
	min	lbft	13.3
	max	lbft	13.3
Tightening torque for coil terminal	min	Nm	1
	max	Nm	1
	min	lbft	0.74
	max	lbft	0.74
Ambient conditions			
Temperature	Operating temperature		
	min	°C	-50
	max	°C	70
	Storage temperature		
	min	°C	-60
	max	°C	80
Max altitude	m	3,000	
Operating position			

	normal allowable	Vertical plan ±30°
Mounting		Screw / DIN rail 35mm
Weight	g	5.4

Operations

Mechanical life	Cycles	10,000,000
Electrical life	Cycles	1000000

Safety related data

Mirror contacts according to IEC/EN 60947-4-1	Yes
EMC compatibility	Yes

AC coil operating

Rated AC voltage at 50/60Hz, 60Hz	min V	24
	max V	480

AC operating voltage

of 50/60Hz coil powered at 50Hz pick-up

min	%Us	80
max	%Us	110

Dissipation at holding ≤20°C 50Hz	W	10
-----------------------------------	---	----

DC coil operating

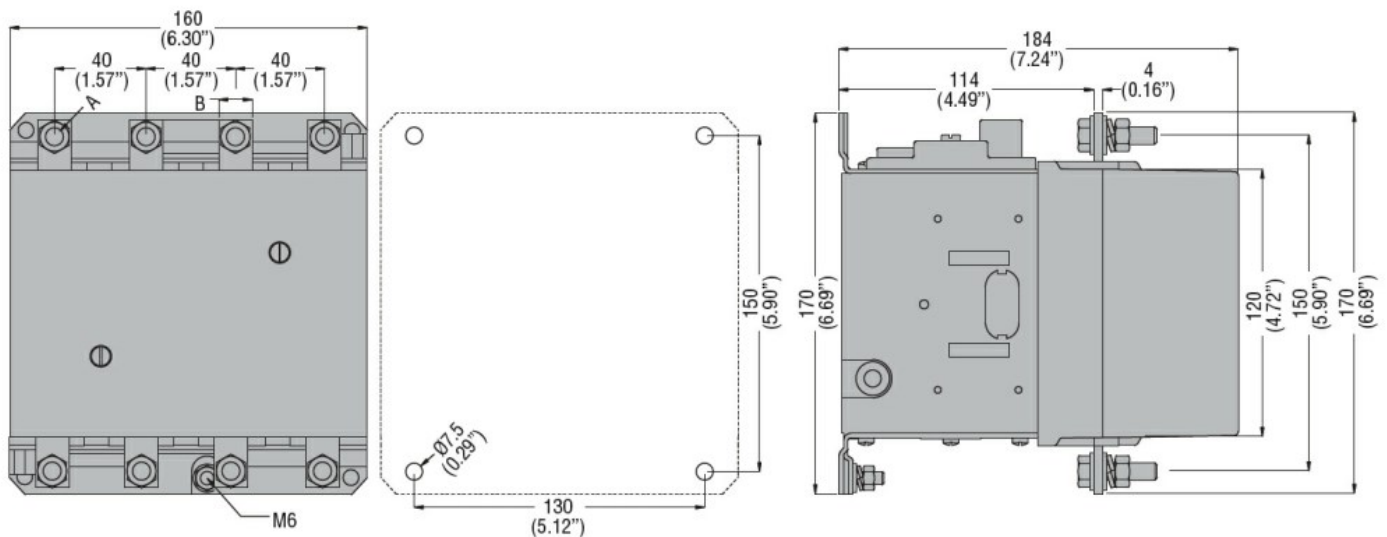
DC operating voltage
Average coil consumption ≤20°C

in-rush	W	300
holding	W	10

Max cycles frequency

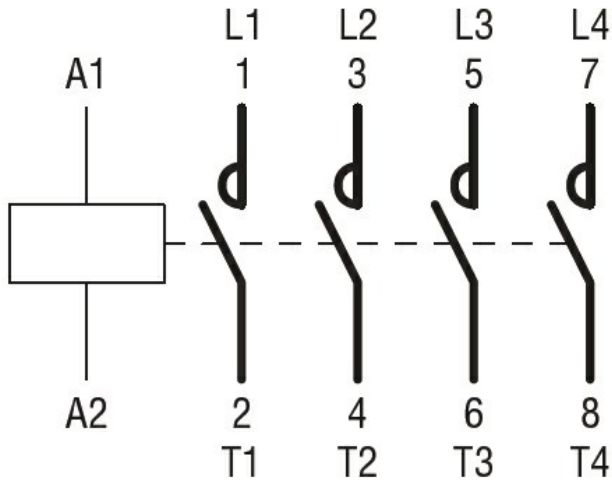
Mechanical operations	Cycles/h	3,600
-----------------------	----------	-------

Dimensions



CONTACTOR TYPE	A	B
B115	M6	15 (0.59")
B145	M8	20 (0.79")
B180	M8	20 (0.79")

Wiring diagrams



Certifications and compliance

Certifications

CSA C22.2 n° 60947-1

CSA C22.2 n° 60947-4-1

IEC/EN 60947-1

IEC/EN 60947-4-1

UL 60947-1

UL 60947-4-1

Compliance

CCC

cULus

EAC

ETIM 6 classification

EC000066 - Power contactor, AC switching