

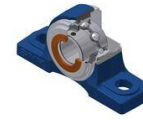


Brand of NTN Group

Technical data

UCP212CO

Bearing units

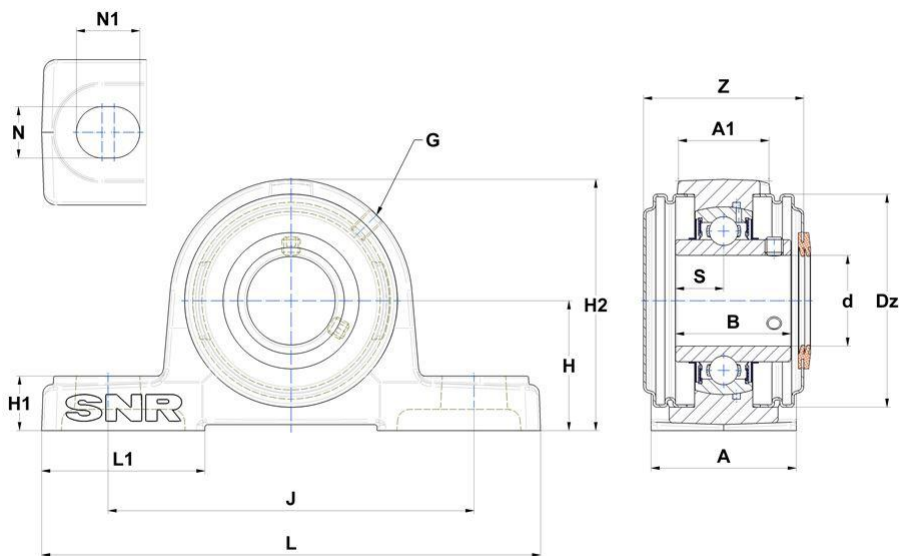


Grey cast housing, radial insert ball bearing with socket set screws, seal with slinger. In the figure, bearing units are presented with one open and one closed cover. The product you have chosen is equipped with two open covers.

KIT CONTENT

SCO212-60, UC212G2, P212N

VISUAL (S)



PRODUCT DEFINITION

Brand	SNR
A - Housing width	70 mm
A1 - Housing top width	44 mm
B - Width of Inner Ring	65,1 mm
d - Shaft diameter	60 mm



NTN Europe

1 rue des Usines · BP 2017 · 74010 Annecy Cedex · France · Tel. +33 (0)4 50 65 30 00
 S.A. au capital de 322 639 919 € · RCS ANNECY B 325 821 072 · Id. Fiscale : FR 48 325 821 072
 SIRET 325 821 072 00015 · Code APE 2815 Z · Code NACE 28.15

PRODUCT DEFINITION

Dz - Outer diameter of cover	120 mm
G - Grease fitting	M6x1
H - Distance mounting base to centerline spheric. seating diam.	69,8 mm
H1 - Housing foot height	25 mm
H2 - Housing height	138 mm
J - Mounting holes distance	184 mm
L - Housing length	241 mm
L1 - Housing foot length	70 mm
N - Mounting hole dimension	20 mm
N1 - Mounting hole length	25 mm
S - Distance front side/bearing centre	25,4 mm
Z - Width over covers	90 mm

PRODUCT PERFORMANCE

C - Dynamic load rating	52500000 mN
C0 - Static load rating	32800000 mN
Operating temperature min.	253,15 °K
Operating temperature max.	373,15 °K

OTHER FEATURES

Mass	5,236 kg
Recommended tightening torque for set screw	22 N-m

