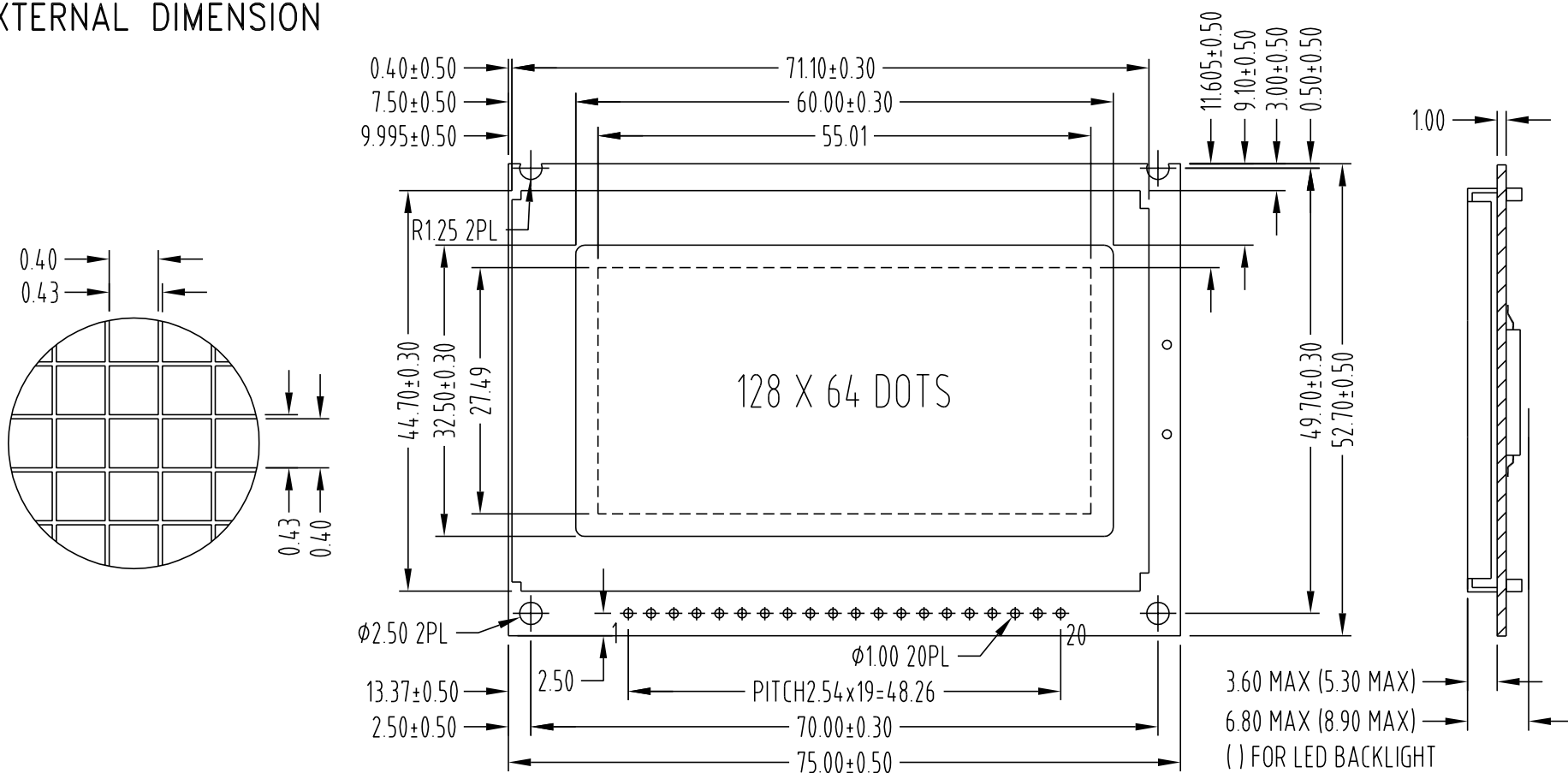


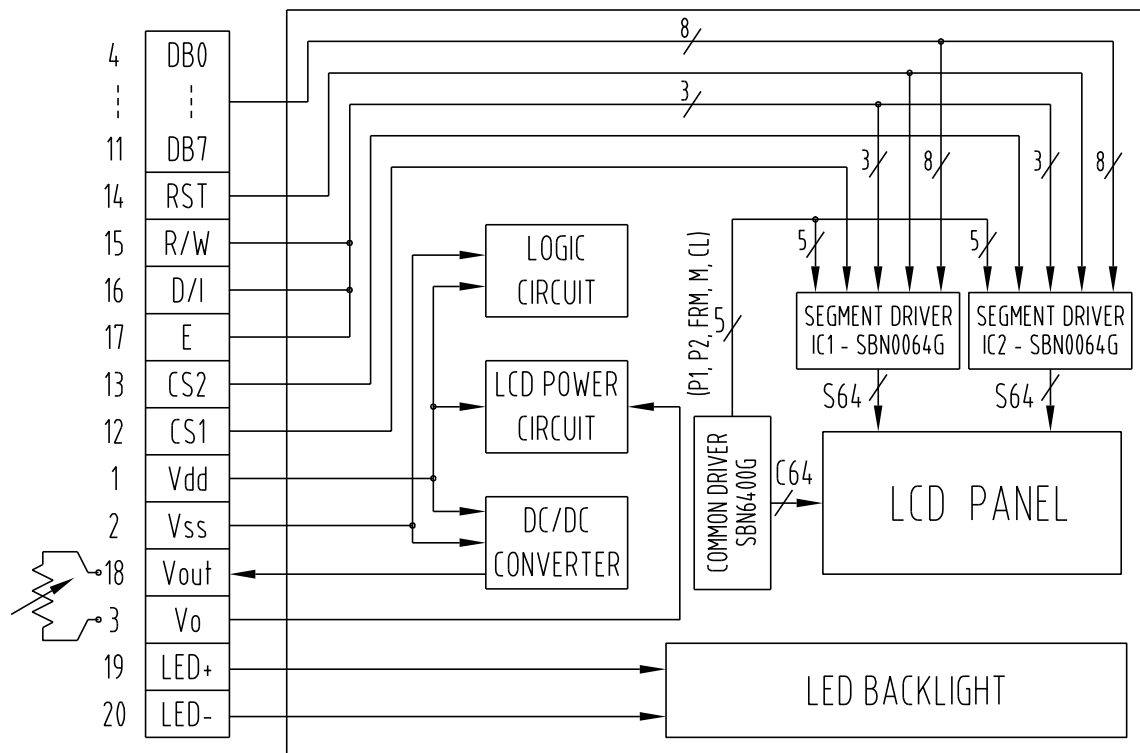
64128Q Series

128 DOTS x 64 DOTS, 1/64 DUTY, 1/9 BIAS

EXTERNAL DIMENSION



BLOCK DIAGRAM



INTERFACE PIN CONNECTIONS

PIN NO.	SYMBOL	LEVEL	FUNCTION
1	Vdd	5.0V	Supply voltage for logic
2	Vss	0V	Ground
3	Vo	---	Input voltage for LCD
4	DB0		Data bit 0
...	...	H/L	...
11	DB7		Data bit 7
12	CS1	H	Chip select signal for IC1
13	CS2	H	Chip select signal for IC2
14	RST	L	Reset signal
15	R/W	H/L	H : Read mode, L : Write mode
16	D/I	H/L	H : Data signal, L : Instruction signal
17	E	H,H→L	Chip enable signal
18	Vout	-5V	Output voltage for LCD
19	LED+	4.2V	Backlight anode
20	LED-	0V	Backlight cathode

MECHANICAL SPECIFICATIONS

ITEM	NOMINAL DIMENSIONS	UNIT
Module Size (W x H x T)	75.0 x 52.7 x 6.8 (8.9 W/LED BACKLIGHT)	mm
Viewing Area (W x H)	60.0 x 32.5	mm
Dot x Dot	128 x 64 DOTS	---
Dot Pitch (W x H)	0.43 x 0.43	mm
Dot Size (W x H)	0.40 x 0.40	mm

ABSOLUTE MAXIMUM RATINGS FOR LED BACKLIGHT

ITEM	VOLTAGE Vf (V)	CURRENT CONSUMPTION If (mA)
SIDE LIT TYPE	YELLOW GREEN : 4.2	60 TYP.
LOW POWER TYPE	WHITE/GREEN/AMBER : 3.6 ; BLUE : 3.2	40 TYP.