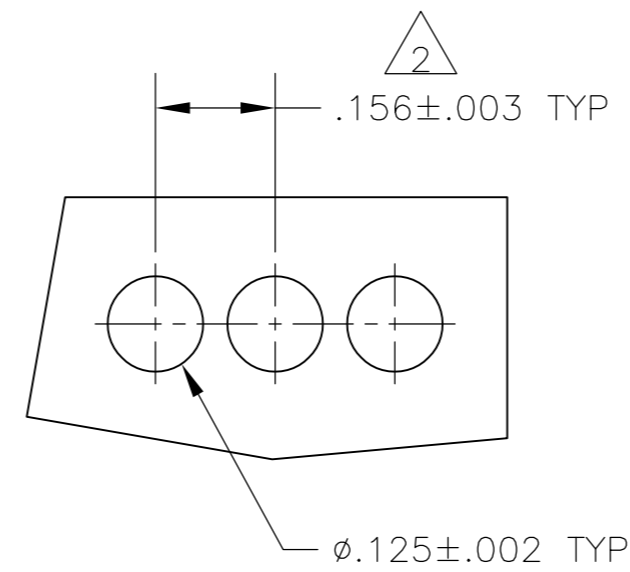
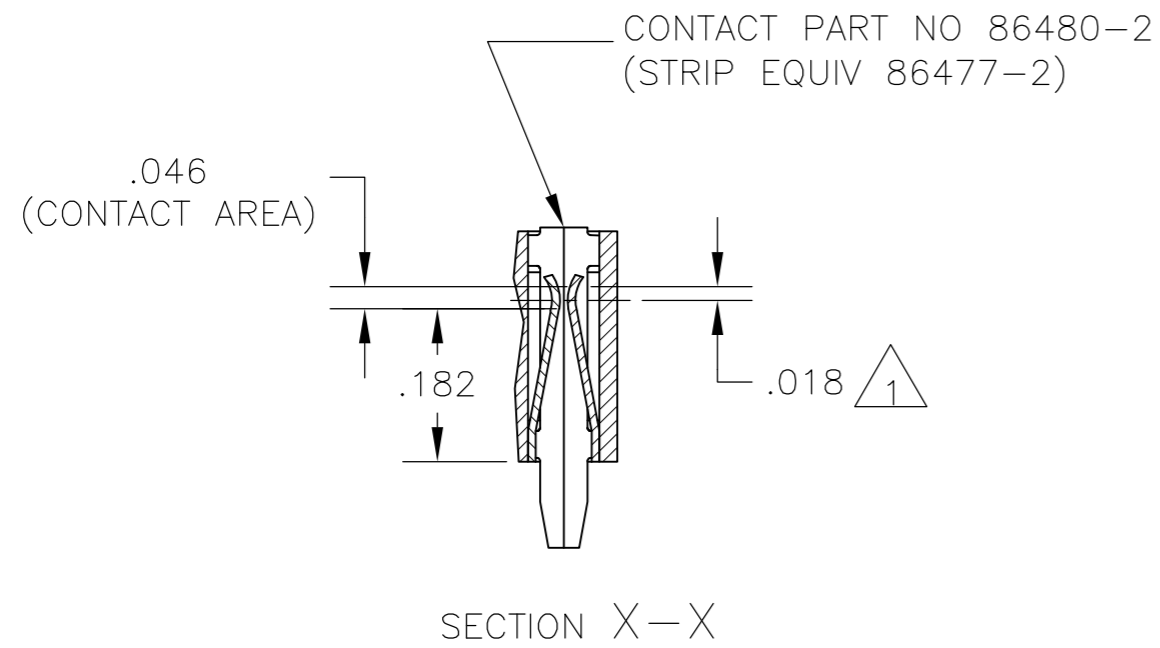
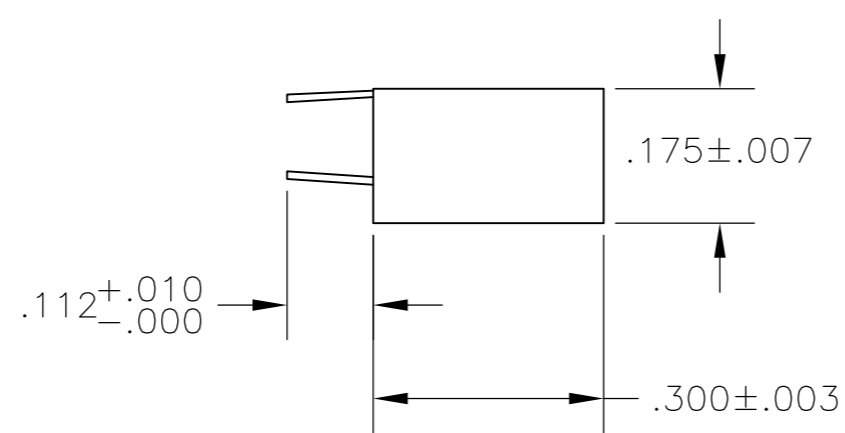
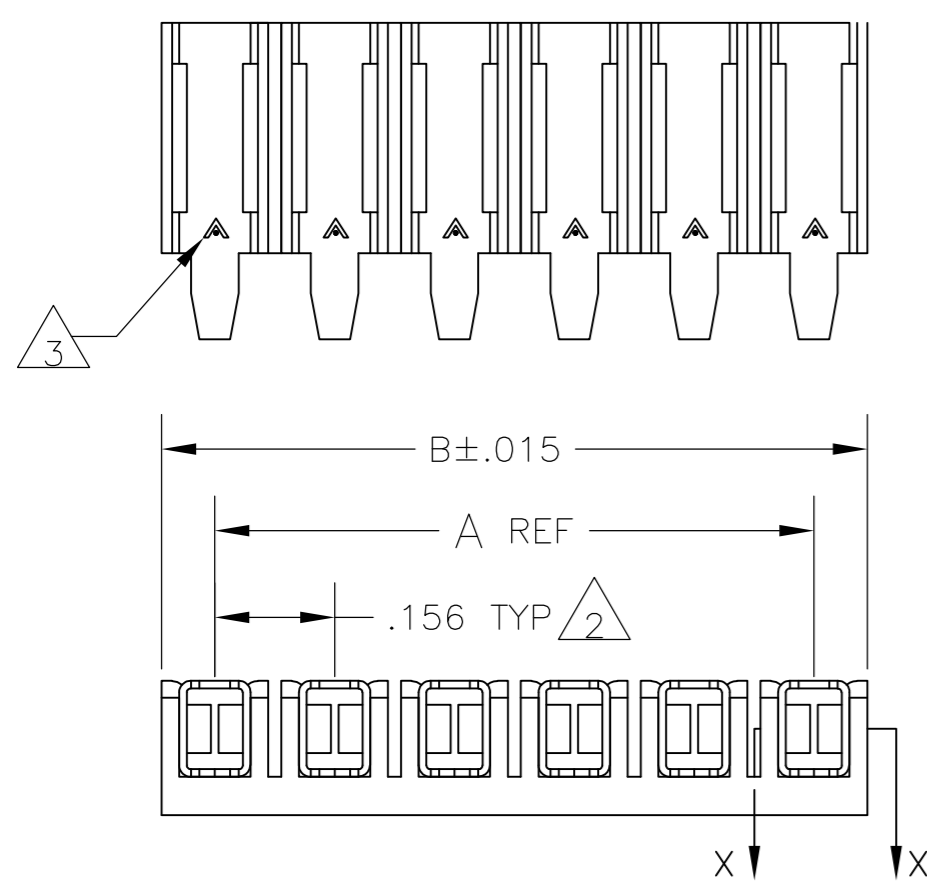


THIS DRAWING IS UNPUBLISHED. RELEASED FOR PUBLICATION
 © COPYRIGHT BY TYCO ELECTRONICS CORPORATION. ALL RIGHTS RESERVED.

LOC	DIST	REVISIONS			
P	LTR	DESCRIPTION	DATE	DWN	APVD
AD	00	J2	REVISED ECO-10-018971	17SEP10	HMR JO



- 1 POINT OF MEASUREMENT FOR PLATING THICKNESS (INSIDE OF BEAMS).
- 2 TOLERANCE NON-CUMULATIVE.
- 3 THE MATING END OF THE CONTACT IS IDENTIFIED BY THE LETTER "A" STAMPED ON THE RECEPTACLE BOX.
- 4 OBSOLETE PARTS: OBSOLETE CIS STREAMLINING PER D.RENAUD/D.SINISI



OBSOLETE	87984			
	B	A	NO OF POSN	ASSEMBLY PART NUMBER
	3.120	2.964	20	2-87984-0
	2.964	2.808	19	-1-87984-9
	2.808	2.652	18	-1-87984-8
	2.652	2.496	17	-1-87984-7
	2.496	2.340	16	-1-87984-6
	2.340	2.184	15	-1-87984-5
	2.184	2.028	14	-1-87984-4
	2.028	1.872	13	-1-87984-3
	1.872	1.716	12	-1-87984-2
	1.716	1.560	11	-1-87984-1
	1.560	1.404	10	-1-87984-0
	1.404	1.248	9	87984-9
	1.248	1.092	8	87984-8
	1.092	.936	7	87984-7
	.936	.780	6	87984-6
	.780	.624	5	87984-5
	.624	.468	4	87984-4
	.468	.312	3	87984-3
	.312	.156	2	87984-2

THIS DRAWING IS A CONTROLLED DOCUMENT.		DWN 17MAR86 L D RINGLEY	Tyco Electronics Corporation Harrisburg, PA 17105-3608	
DIMENSIONS: INCHES		CHK 18MAR86 P C DEJONG	NAME	
TOLERANCES UNLESS OTHERWISE SPECIFIED:		APVD 18MAR86 P C DEJONG	ASSY, MOD I, BOARD MOUNT RECP, .156CL, STD PRESSURE, TYPE A, FOR ROUND HOLE MOUNTING	
0 PLC ± - 1 PLC ± - 2 PLC ± - 3 PLC ± .005 4 PLC ± - ANGLES ± -		PRODUCT SPEC 108-25,016	SIZE A2	RESTRICTED TO
MATERIAL: HOUSING-FLAME RETARDANT THERMOPLASTIC, COLOR-BLACK, CONTACTS: PHOS BRONZE		APPLICATION SPEC 114-25,004	CAGE CODE 00779	REV J2
FINISH: .000030 GOLD IN THE CONTACT AREA, GOLD FLASH ON THE REMAINDER, ALL OVER .000050 NICKEL		WEIGHT -	DRAWING NO C=87984	SCALE 4:1
CUSTOMER DRAWING		SHEET 1 OF 1		

Mouser Electronics

Authorized Distributor

Click to View Pricing, Inventory, Delivery & Lifecycle Information:

[TE Connectivity:](#)

[87984-6](#)