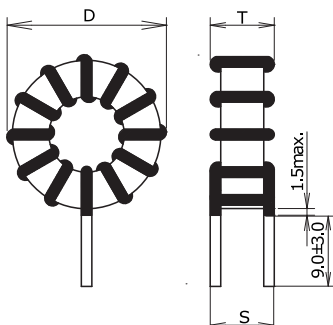


**KEMET Part Number: HHBC24N-2R3A0104V**  
(UALC4N2R3A0104)

KEMET, HHBC, AC Line Filters, Normal Mode, 104 uH, 20%



Dimensions	
D	49.5mm MAX
T	25.8mm MAX
LL	9mm +/-3mm
S	22mm NOM

Packaging Specifications	
Packaging:	Tray
Packaging Quantity:	60
Weight:	143 g

General Information	
Series:	HHBC
Style:	Through-Hole
Features:	Noise Solution, Switching Power Supply Outlets, DC-DC Converter
RoHS:	Yes
Miscellaneous:	55 (K) Temperature Rise Max.

Specifications	
Inductance:	104 uH
Inductance Tolerance:	20%
Current:	20 A
Temperature Range:	-40/+125°C
DC Resistance:	10.4 mOhms