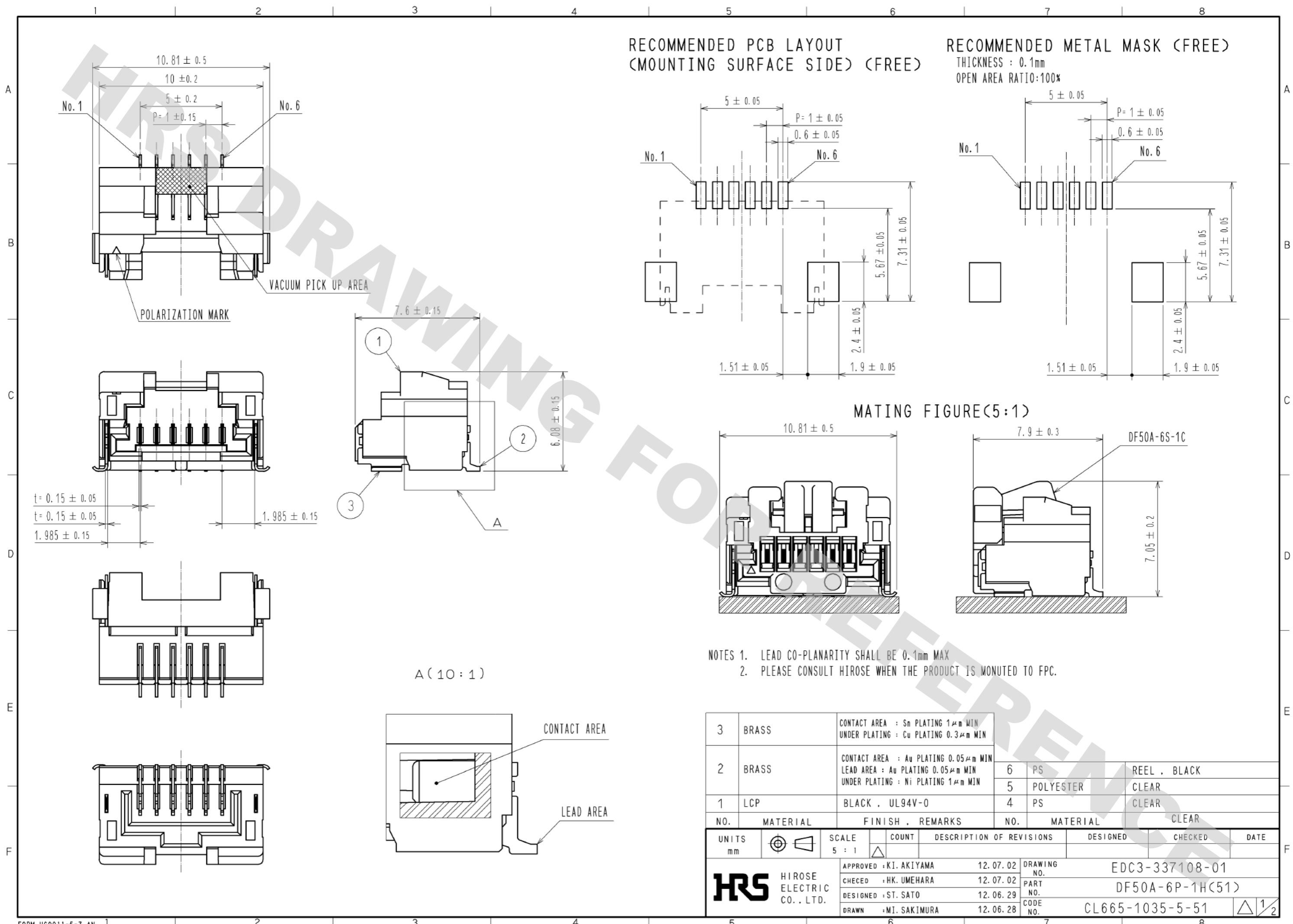
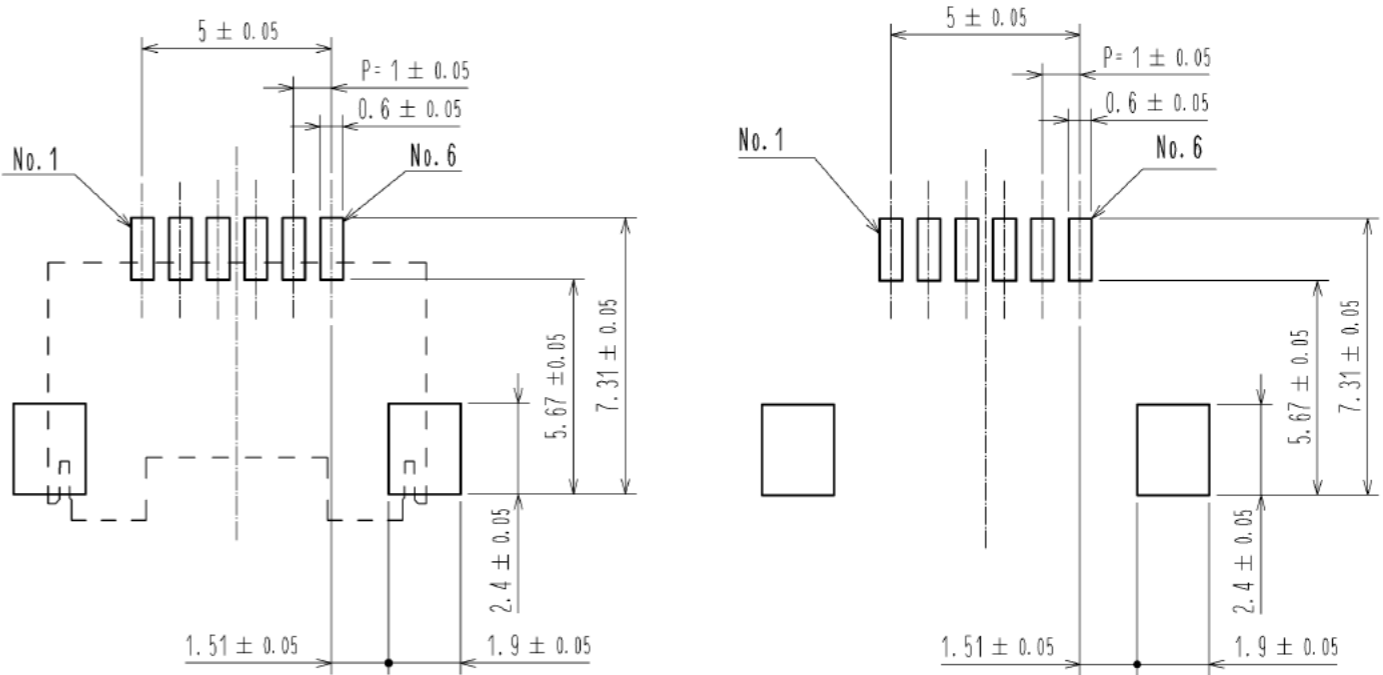


DRAWING FOR REFERENCE: This is subject to change without notice  
05/31/2013

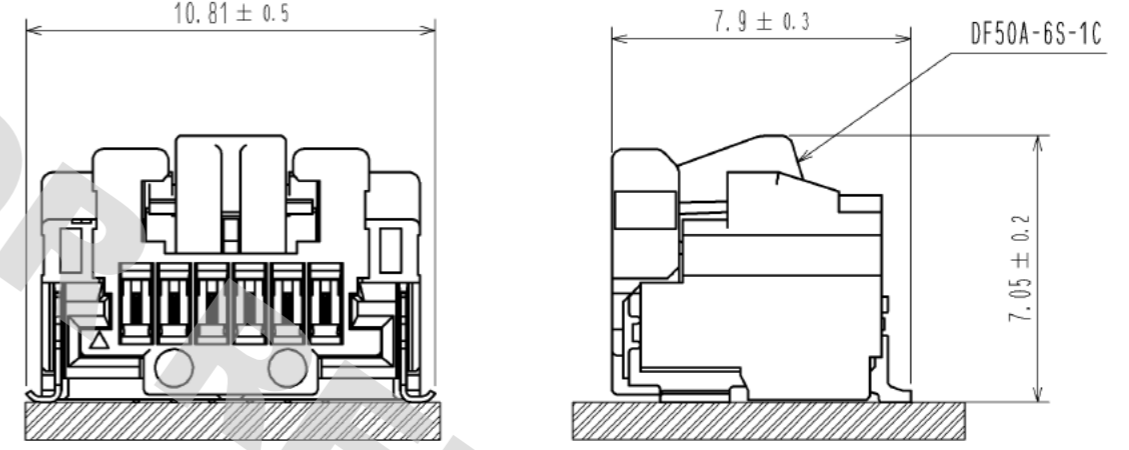


RECOMMENDED PCB LAYOUT  
(MOUNTING SURFACE SIDE) (FREE)

RECOMMENDED METAL MASK (FREE)  
THICKNESS : 0.1mm  
OPEN AREA RATIO:100%



MATING FIGURE(5:1)



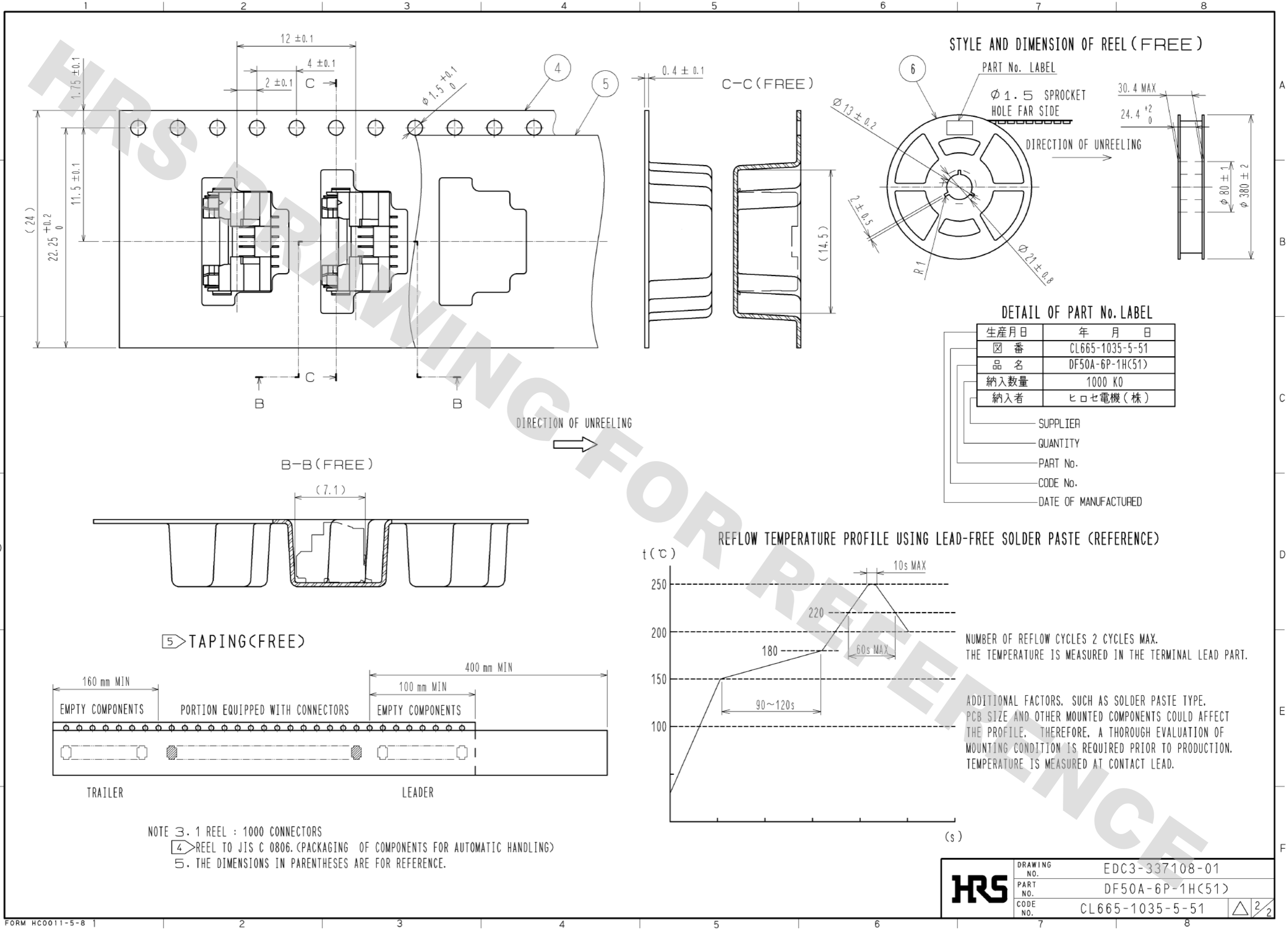
- NOTES 1. LEAD CO-PLANARITY SHALL BE 0.1mm MAX  
2. PLEASE CONSULT HIROSE WHEN THE PRODUCT IS MOUNTED TO FPC.

3	BRASS	CONTACT AREA : Sn PLATING 1μm MIN UNDER PLATING : Cu PLATING 0.3μm MIN	6	PS	REEL , BLACK
2	BRASS	CONTACT AREA : Au PLATING 0.05μm MIN LEAD AREA : Au PLATING 0.05μm MIN UNDER PLATING : Ni PLATING 1μm MIN	5	POLYESTER	CLEAR
1	LCP	BLACK , UL94V-0	4	PS	CLEAR
NO.	MATERIAL	FINISH , REMARKS	NO.	MATERIAL	CLEAR

UNITS mm		SCALE 5 : 1	COUNT 	DESCRIPTION OF REVISIONS	DESIGNED	CHECKED	DATE
APPROVED : KI. AKIYAMA 12.07.02				DRAWING NO.	EDC3-337108-01		
CHECKED : HK. UMEHARA 12.07.02				PART NO.	DF50A-6P-1H(51)		
DESIGNED : ST. SATO 12.06.29				CODE NO.	CL665-1035-5-51		
DRAWN : MI. SAKIMURA 12.06.28							

DRAWING FOR REFERENCE: This is subject to change without notice  
05/31/2013



NOTE 3. 1 REEL : 1000 CONNECTORS  
 ④ REEL TO JIS C 0806. (PACKAGING OF COMPONENTS FOR AUTOMATIC HANDLING)  
 ⑤. THE DIMENSIONS IN PARENTHESES ARE FOR REFERENCE.

<b>HRS</b>	DRAWING NO.	EDC3-337108-01
	PART NO.	DF50A-6P-1H(51)
	CODE NO.	CL665-1035-5-51
		△ 2/2