

MP-88

U=UNSHIELDED
S=SHIELDED

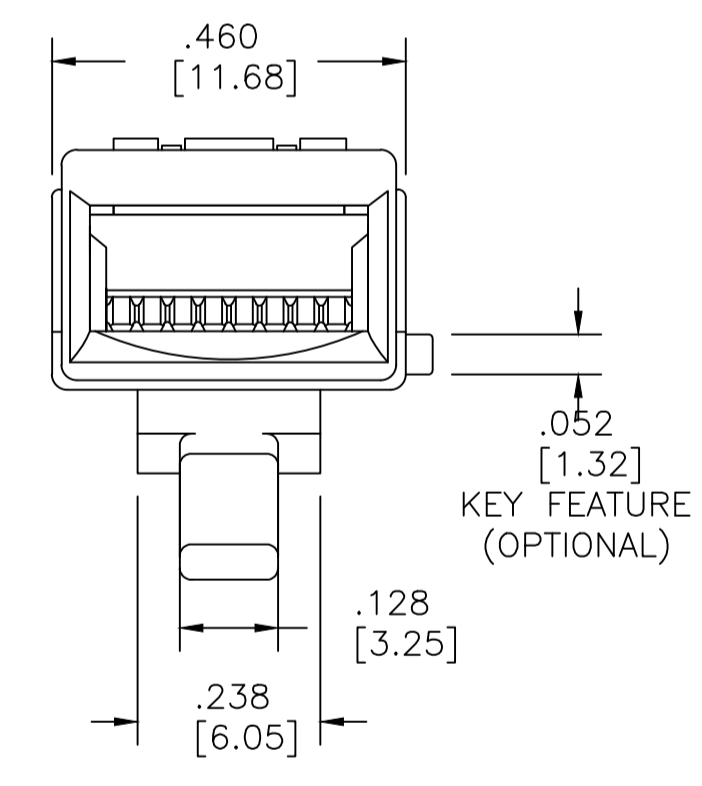
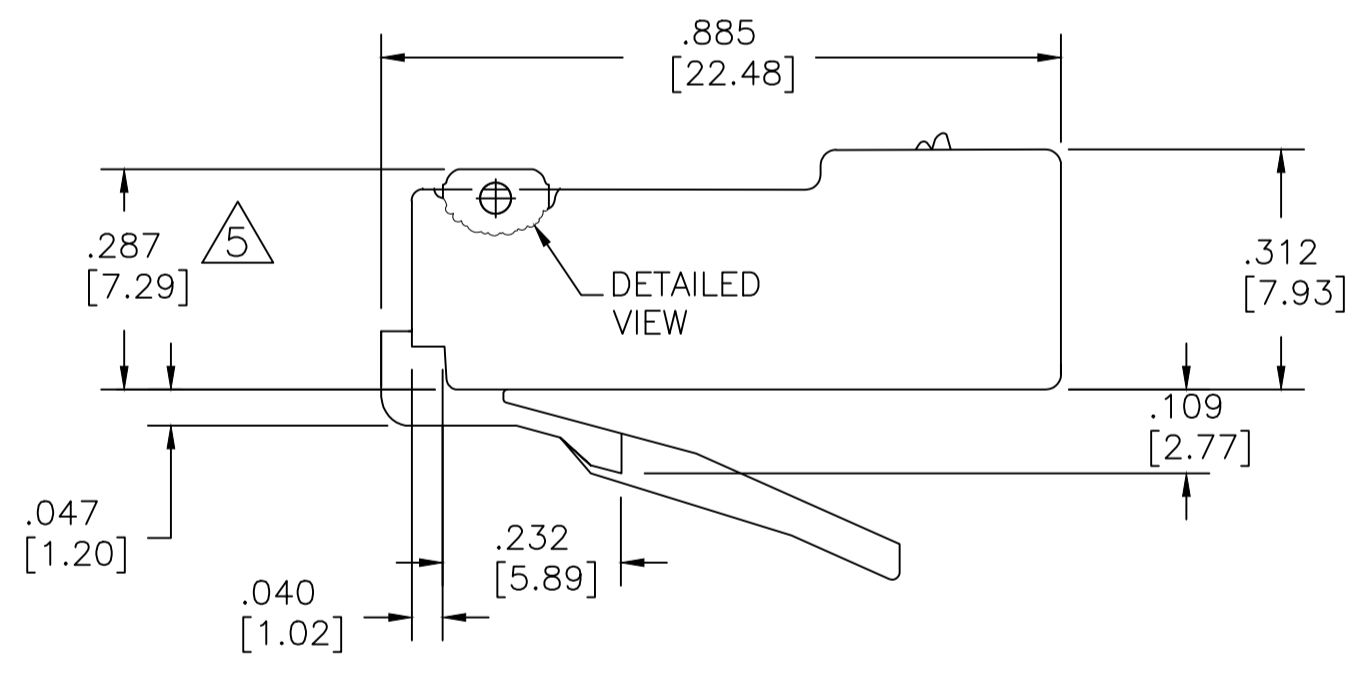
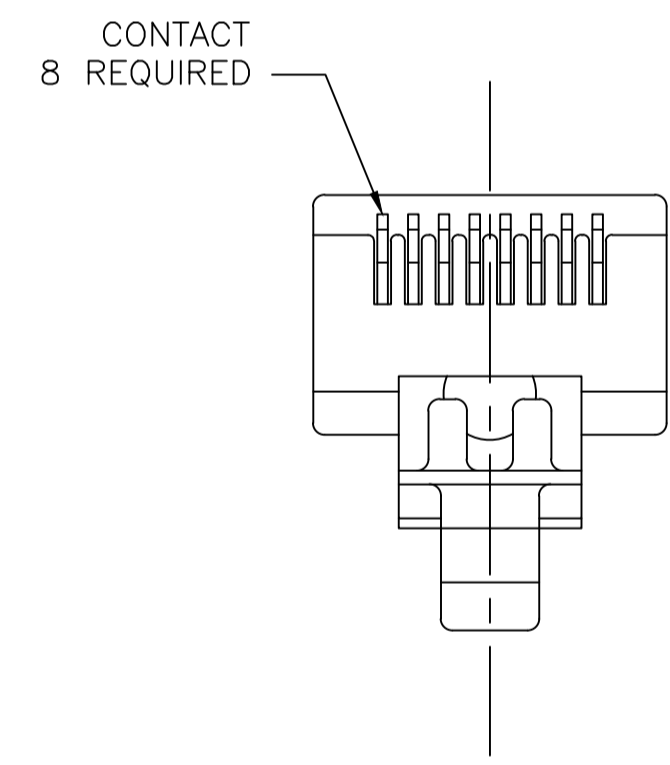
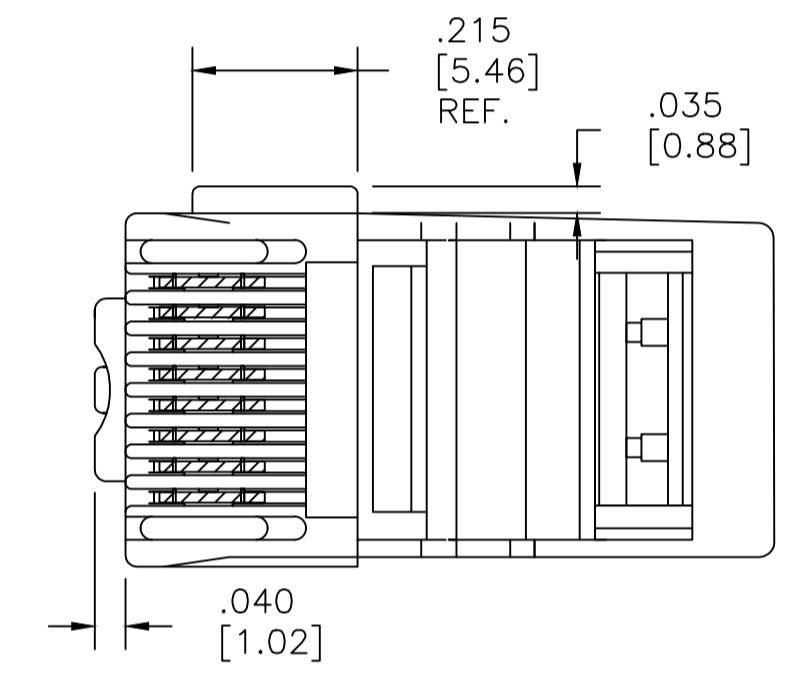
CABLE TYPE
R=ROUND
F=FLAT OVAL

INSULATION DIAMETER
S=SMALL CONDUCTOR

PACKAGE SIZE
5 = 500
1 = 100

- 1 DIMENSIONS ARE NOMINAL UNLESS OTHERWISE SPECIFIED.
- 2 MATERIAL: HOUSING- POLYCARBONATE, CLEAR
TERMINAL- .305 [.012] THICK PHOSPHOR BRONZE PLATED WITH 1.27μm [.00005] MINIMUM THICK GOLD IN LOCALIZED PLATE AREA OVER 2.54μm [.000100] MINIMUM THICK NICKEL UNDERPLATE.

SHIELD, OPTIONAL- COPPER ALLOY WITH 1.27μm [.000050] MINIMUM SEMI-BRIGHT (SATIN) NICKEL.
3. NON-SMALL CONDUCTOR PLUGS WILL ACCEPT 24 TO 26 AWG SOLID OR STRANDED CONDUCTORS WITH A SINGLE INSULATION DIAMETER OF 0.86-0.99[.034-.039]. SMALL CONDUCTOR PLUGS WILL ACCEPT 26 TO 28 AWG SOLID OR STRANDED WIRE WITH A SINGLE INSULATION DIAMETER OF 0.74-0.86[.029-.034].
4. MODULAR PLUGS FOR ROUND CABLES WILL ACCEPT CABLES WITH A MAXIMUM DIAMETER JACKET OF 5.08[.20]. MODULAR PLUGS FOR FLAT OVAL CABLES WILL ACCEPT CABLES WITH A MAXIMUM OVAL CABLE JACKET OF 2.54 X 8.89 [.100 X .350]
- 5 TERMINATED DIMENSION 5.89 [.232] - 6.15 [.242].
6. UL RECOGNIZED FILE NUMBER E81956.



UNSHIELDED MOD PLUG 8 POSITION

PRODUCTS WILL LOOK SIMILAR TO THIS VIEW

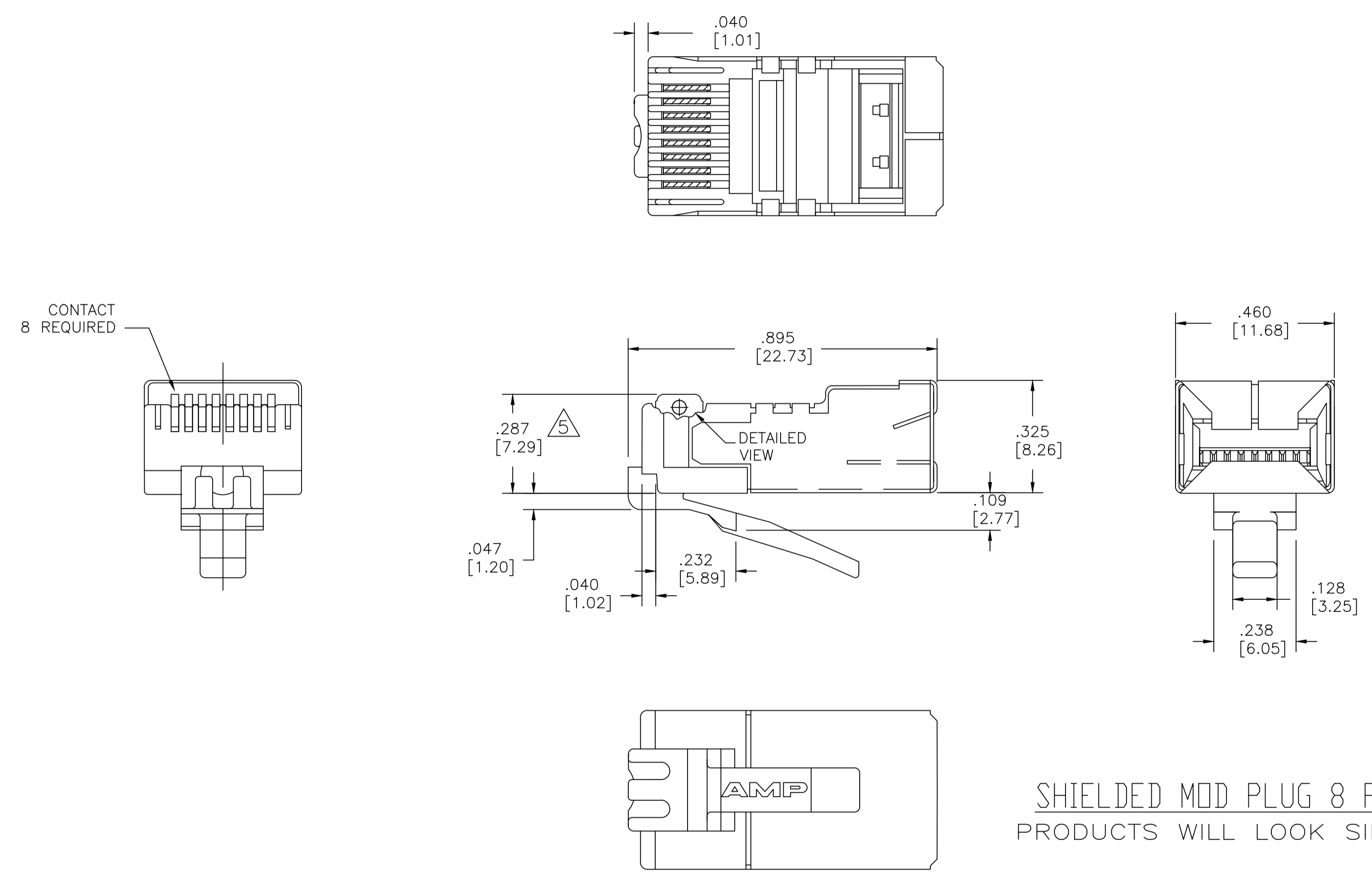
100	6-557961-3	MP-88U-RS-1
500	6-557961-2	MP-88U-RS-5
100	6-557972-3	MP-88U-FS-1
500	6-557972-2	MP-88U-FS-5
100	6-554720-3	MP-88U-F-1
500	6-554720-2	MP-88U-F-5
100	6-557315-3	MP-88U-R-1
500	6-557315-2	MP-88U-R-5
PACKAGE	MATERIAL	CATALOG NUMBER
UNSHIELDED CATALOG NUMBER VERSIONS		

THIS DRAWING IS A CONTROLLED DOCUMENT.

DIMENSIONS: INCHES [mm]	TOLERANCES UNLESS OTHERWISE SPECIFIED: 0 PLC ± - 1 PLC ± - 2 PLC ± - 3 PLC ± .005 4 PLC ± - ANGLES ± - FINISH	DWN: G. GARRETT 09JUN2015 CHK: J. GENIAC 09JUN2015 APVD: J. GENIAC 09JUN2015 NAME: KIT, MOD PLUG, 8 POSITION, 8 CONTACTS PRODUCT SPEC: 108-1163 APPLICATION SPEC: 114-6016 WEIGHT: - CUSTOMER DRAWING	TE Connectivity SIZE: A1 CAGE CODE: 00779C DRAWING NO: 2843005 SCALE: 4:1 SHEET: 1 OF 2 REV: B
----------------------------	--	--	--

MP-88

- U=UNSHIELDED
S=SHIELDED
- CABLE TYPE
R=ROUND
F=FLAT OVAL
- INSULATION DIAMETER
S=SMALL
CONDUCTOR
- PACKAGE SIZE
5 = 500
1 = 100



SHIELDED MOD PLUG 8 POSITION
PRODUCTS WILL LOOK SIMILAR TO THIS VIEW

100	6-569542-3	MP-88S-F-1
500	6-569542-2	MP-88S-F-5
100	6-569530-3	MP-88S-R-1
500	6-569530-2	MP-88S-R-5
PACKAGE	MATERIAL	CATALOG NUMBER

SHIELDED CATALOG NUMBER VERSIONS

THIS DRAWING IS A CONTROLLED DOCUMENT.

DRN G. GARRETT 09JUN2015	CHK J. GENIAC 09JUN2015	APVD J. GENIAC 09JUN2015	NAME KIT, MOD PLUG, 8 POSITION, 8 CONTACTS																		
DIMENSIONS: INCHES [mm]		TOLERANCES UNLESS OTHERWISE SPECIFIED:																			
		<table border="1"> <tr><td>0 PLC</td><td>±</td><td>-</td></tr> <tr><td>1 PLC</td><td>±</td><td>-</td></tr> <tr><td>2 PLC</td><td>±</td><td>-</td></tr> <tr><td>3 PLC</td><td>±</td><td>.005</td></tr> <tr><td>4 PLC</td><td>±</td><td>-</td></tr> <tr><td>ANGLES</td><td>±</td><td>-</td></tr> </table>		0 PLC	±	-	1 PLC	±	-	2 PLC	±	-	3 PLC	±	.005	4 PLC	±	-	ANGLES	±	-
0 PLC	±	-																			
1 PLC	±	-																			
2 PLC	±	-																			
3 PLC	±	.005																			
4 PLC	±	-																			
ANGLES	±	-																			
MATERIAL	FINISH	SIZE A1	CAGE CODE 00779																		
CUSTOMER DRAWING		DRAWING NO C=2843005	RESTRICTED TO -																		
SCALE 4:1		SHEET 2 OF 2	REV B																		