

Features

- Flexible and durable H05VVf3G1.0- pvc cable
- Unterminated ends stripped 25:5mm
- Moulded IEC -C13 Connector straight
- Fully moulded connectors for strength and durability
- Integrated strain relief for connection support and protection

RS PRO 5m Power cable C13, IEC to Unterminated end 10A 250 V

RS Stock No: 0771798



RS PRO is the own brand of RS. The RS PRO Seal of Approval is your assurance of professional quality, a guarantee that every part is rigorously tested, inspected, and audited against demanding standards. Making RS PRO the Smart Choice for our customers.

Product Description

- From RS PRO a high quality and durable power cord used for connecting an appliance to a mains power supply. This power cord is fully equipped with an unterminated end stripped 25:5mm on one end and an IEC C13 type connector on the other that connects to the appliance. The power cord is fully moulded and features integrated strain reliefs that provide additional protection and support to the connectors, with a cable length of 5mtrs.

General Specifications

Connector A	C13, IEC Female – Straight EN60320 /C13
Connector B	Unterminated ends stripped 25:5mm
TRA	BLACK
Material	PVC
Applications	DIY and home improvements, Maintenance work, Household Entertainment (TVs, Satellite boxes, routers etc.) Industrial machines and equipment Office desks (monitors, computers, phones) Any Electrical device needed to be connected by mains, Cassette recorders, Battery/mains operated radios, battery chargers, laptop computers, power supplies and video games consoles.

Mechanical Specifications

Length	2.50m
---------------	-------

Electrical Specifications

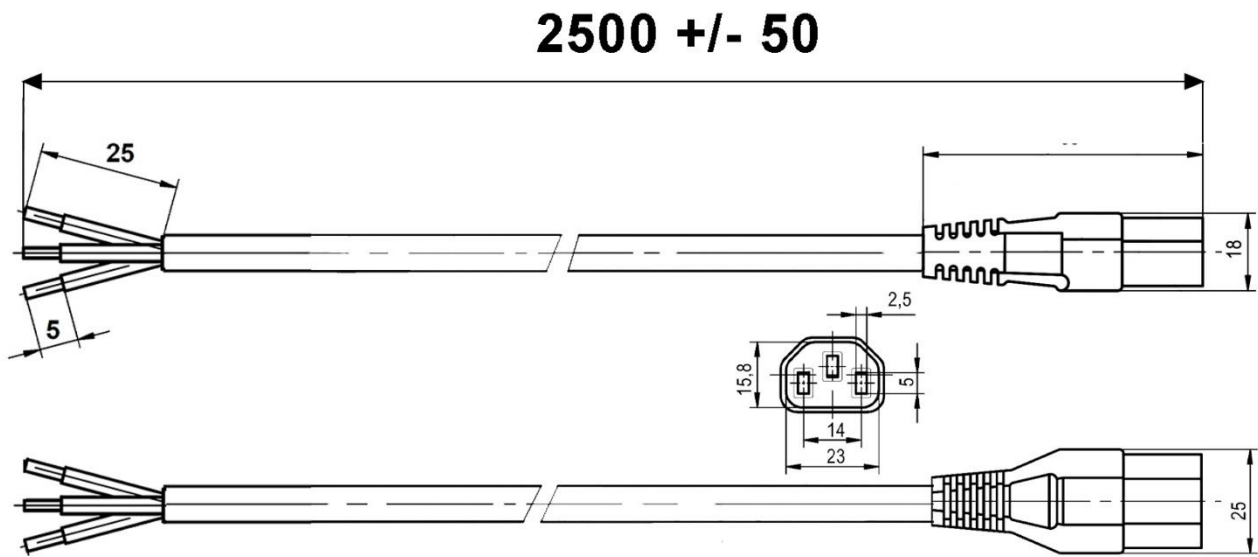
Power Cord Rating	10A - 250V
Visual Inspection	100%
Electrical Test	100%
High pot test wire to wire	3.000Vac for 2 sec.
Continuity test	25Aac to grounding / 20A to line and neutral
Polarity test	yes
Skin high pot test	6.000Vac line to skin

Protection Category

Environmental Conformity	Eu-Directive 2002/96/EC (WEEE)
	Eu-Directive 2003/11/EC (Council Directive 76/769/EEC)
	Eu-Directive 2002/95/EC (RoHS-Compliant)

Approvals

C13 CONNECTOR	ENEC, CE, UKCA
Unterminated stripped 25:5mm	n/a
Cable	Harmonised <HAR>



All dimensions in mm