


**ME MAX 6,2 SC 4-4 KMGY**

Order No.: 2713094



Extra slim electronic housing, pitch 6.2 mm, 4 connection levels, 8-pos. with screw connection

**Commercial data**

EAN	 4 017918 984793
Pack	10
Customs tariff	85369010
Gross weight in pieces	40.51 g
Country of Origin	DE
Catalog page information	Page 616 (CC-2011)

**Product notes**

WEEE/RoHS-compliant since:  
01/04/2005



Please note that the data given here has been taken from the online catalog. For comprehensive information and data, please refer to the user documentation at <http://www.download.phoenixcontact.com>. The General Terms and Conditions of Use apply to Internet downloads.

**Technical data****General**

Housing type	Complete housing
Housing material	PBT
Color	light gray

**Dimensions / positions**

Length	93.1 mm
--------	---------

Constructional height	101.2 mm
Width	6.2 mm
Number of positions	8
Pitch	6.2 mm

#### Technical data

Connection in acc. with standard	CUL
Nominal voltage $U_N$	300 V
Nominal current $I_N$	8 A
AWG/kcmil	30-12
Indicator1	CUL1
Inflammability class according to UL 94	V0

#### Connection data

Conductor cross section solid min.	0.2 mm <sup>2</sup>
Conductor cross section solid max.	2.5 mm <sup>2</sup>
Conductor cross section stranded min.	0.2 mm <sup>2</sup>
Conductor cross section stranded max.	2.5 mm <sup>2</sup>
Conductor cross section AWG/kcmil min.	26
Conductor cross section AWG/kcmil max	12
Stripping length	12 mm

#### Certificates



Certification

cULus Recognized, UL Recognized

Certifications applied for:

Certification Ex:

## Accessories

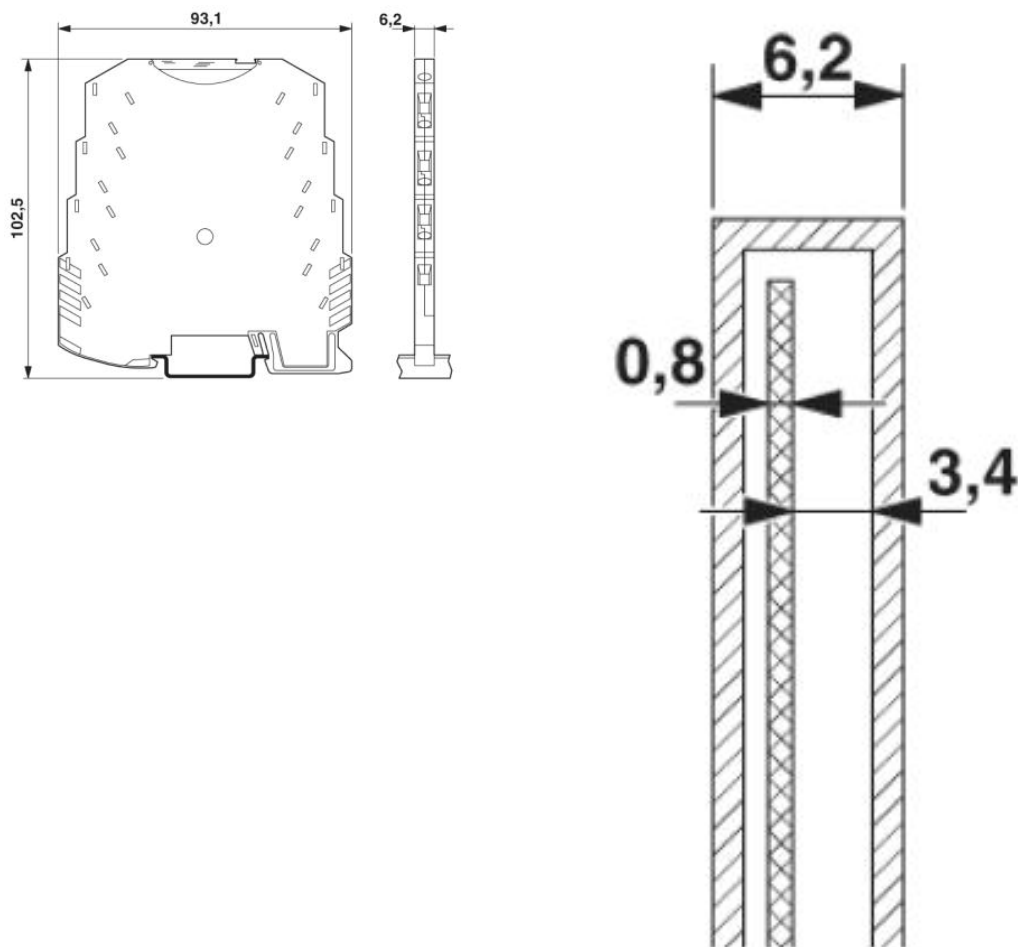
Item	Designation	Description
------	-------------	-------------

### Tools

1204517	SZF 1-0,6X3,5	Actuation tool, for ST terminal blocks, also suitable for use as a bladed screwdriver, size: 0.6 x 3.5 x 100 mm, 2-component grip, with non-slip grip
---------	---------------	---

## Drawings

Dimensioned drawing



---

**Address**

PHOENIX CONTACT Ltd  
Halesfield 13  
Telford / Shropshire / TF7 4PG, England  
Phone 01952 681 700  
Fax 01952 681 799  
<http://www.phoenixcontact.co.uk>



Phoenix Contact Ltd.  
Technical modifications reserved;