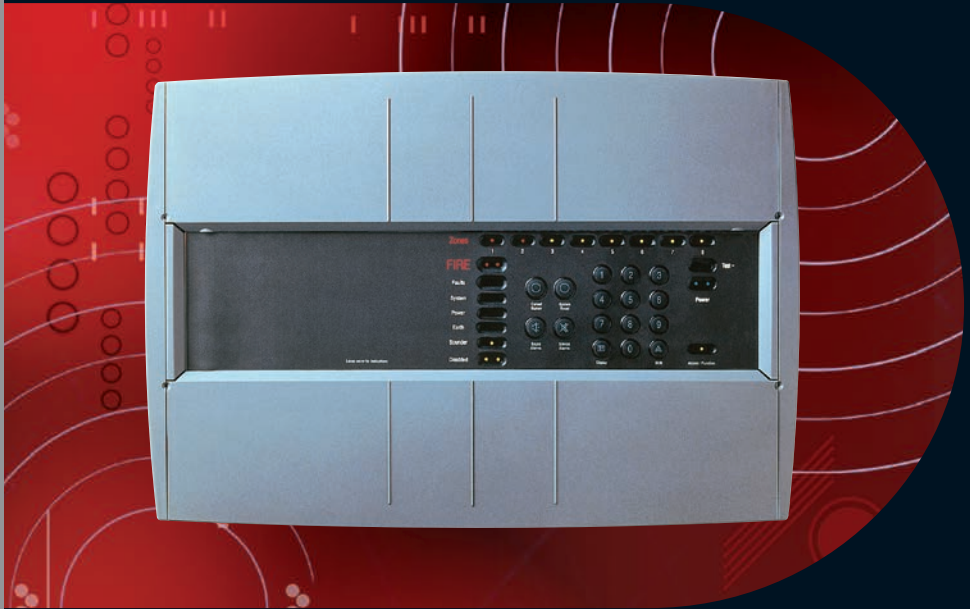




# FP585 CONTROL PANEL

The FP585 panel complies fully with the European standard EN54 Parts 2 & 4 and can be used on installations meeting BS 5839: Part 1.

Each panel contains its own integral power supply and battery support for up to eight alarm sounder circuits, two auxiliary relay contacts, a zone disablement facility and a one man test and commission facility, all simplifying system design, installation and commissioning.



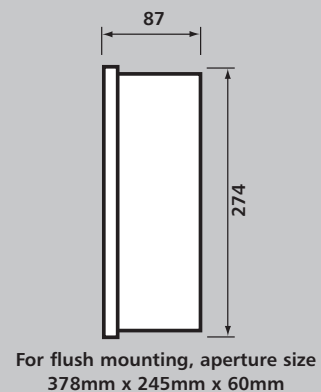
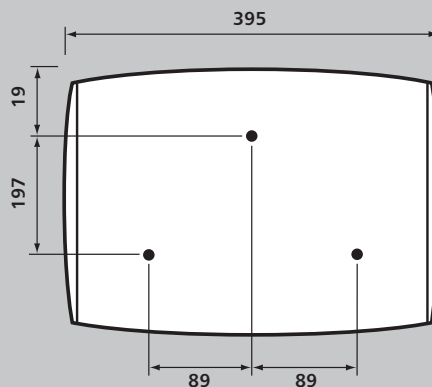
### TECHNICAL SPECIFICATION

No. of Zones	2	4	8	*8 Zone Repeat
Maximum Load per Zone	3mA			N/A
No. of Sounder Circuits	2	4	8	N/A
Max. Sounder Circuit Load	0.5A per circuit Total load not to exceed 1A			N/A
Batteries (not included)	2 x 12V, 2.1 Ah or 2 x 12V, 3.4 Ah		2 x 12V, 3.4 Ah	2 x 12V, 2.1 Ah
Battery Standby (Using Batteries specified above)	72 hours plus 0.5 hours alarm load			72 hours
Aux. Relay Contacts	1 N/O and 1 N/C pair, 1A at 24V			N/A
Approx Weight (with batteries)	5.8 Kg		6.2 Kg	5.8 Kg
Cable Entry	13 Top and 13 Rear			
Cable Type	BS 6387, 2 core, min 1.5mm <sup>2</sup> CSA			
Class Change Facility	Via normally open push button switch located no more than 100m from panel			N/A
Temperature	Indoor, 0 - 40°C			
Standards	EN54 Parts 2&4			
Approvals	BSI Approved			

### ORDER CODES

2 Zone	75585-02NMB
4 Zone	75585-04NMB
8 Zone	75585-08NMB
Flush Surround	13270-29
8 Zone Repeat Panel	75586-08NMB
2.1Ah 12V SLA Battery	4015-502-Y
2.8Ah 12V SLA Battery	4015-509-Y

### DIMENSIONS (mm)



# FP585 CONTROL PANEL

## SYSTEM ARCHITECTURE

