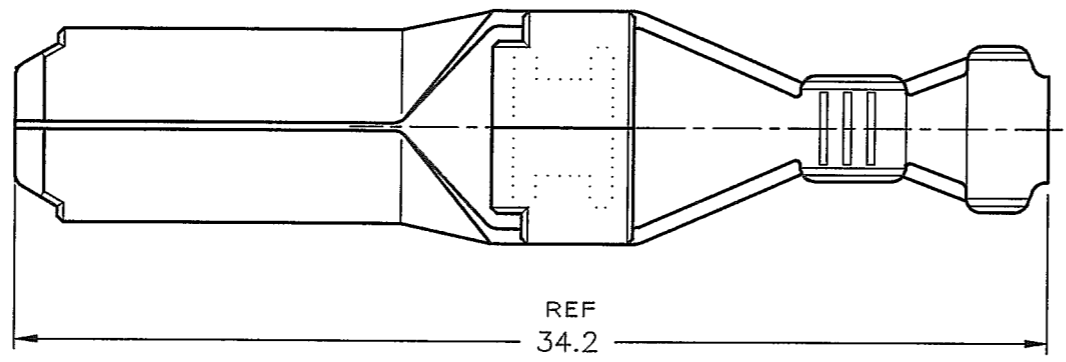
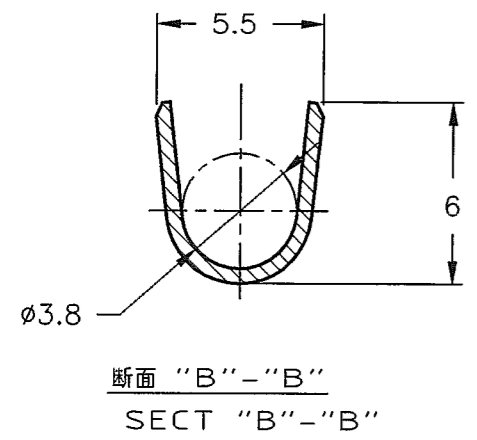
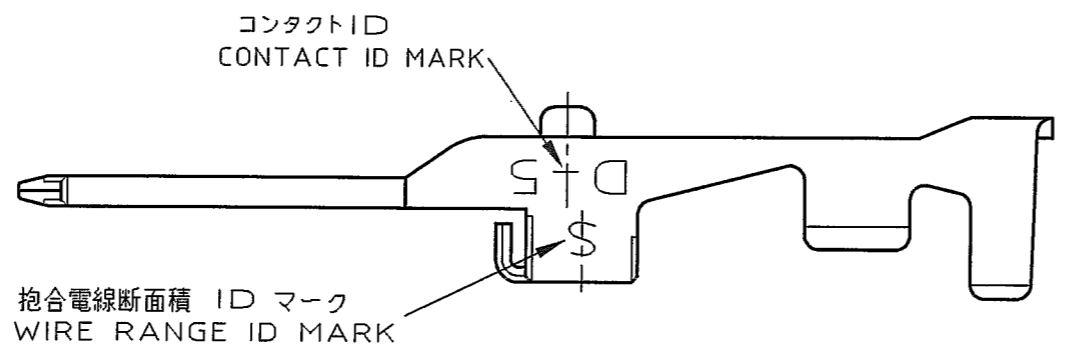
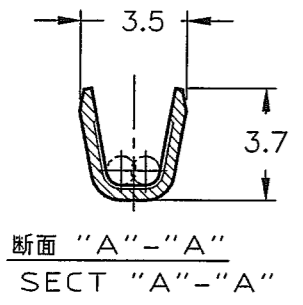


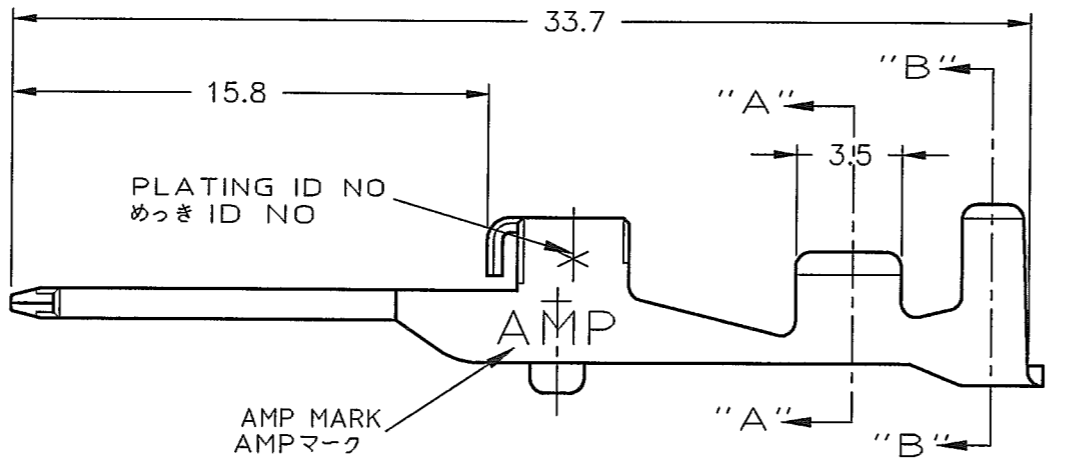
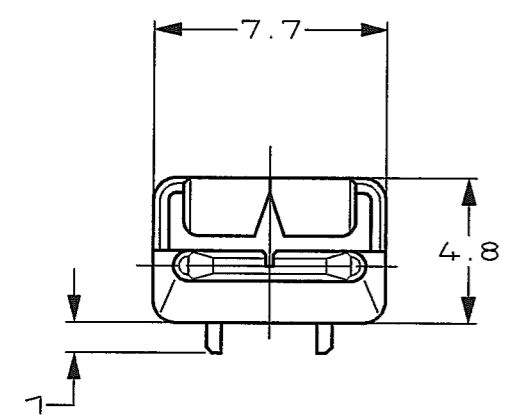
THIS DRAWING IS UNPUBLISHED. RELEASED FOR PUBLICATION 1997  
 © COPYRIGHT 1995 BY AMP INCORPORATED. ALL RIGHTS RESERVED.

LOC		DIST		REVISIONS					
				変更					
P	LTR	DESCRIPTION		ECN	DATE	DWN	APVD		
	0	RELEASED		FJ00-0992-97	27/JUN '97	K.I.	I.H.		
	01	REVISED		ECR-05-003013	16 May '95	T.S.	DM		



- 注記
- △1 めっき: コンタクト: 全面Ni下地  
接触部: 0.38μm MIN金めっき
  - △2 めっき: コンタクト: 全面Ni下地  
接触部: 0.76μm MIN金めっき
  - △3 めっき: コンタクト: 全面Ni下地  
全面: 2.54μm MIN銀めっき

- NOTES
- △1. FINISH (CONTACT AREA): 0.38μm MIN GOLD PLATING OVER Ni PLATING
  - △2. FINISH (CONTACT AREA): 0.76μm MIN GOLD PLATING OVER Ni PLATING
  - △3. FINISH (CONTACT AREA): 2.54μm MIN SILVER PLATING OVER Ni PLATING



6	△3	917804-6
3	△2	917804-3
2	△1	917804-2
めっき ID NO	仕上	バラ状
PL ID CODE	FINISH	L/P
		(P/N) 型番

WIRE RANGE 抱合電線断面積	1.23/2.27sq AWG #16/#14	INSULATION DIA 被覆外径	3/3.8 mm φ
-----------------------	----------------------------	------------------------	------------

THIS DRAWING IS A CONTROLLED DOCUMENT FOR AMP INCORPORATED. IT IS SUBJECT TO CHANGE AND THE CONTROLLING ENGINEERING ORGANIZATION SHOULD BE CONTACTED FOR THE LATEST REVISION.		DWN	26/JUN/'97
DIMENSIONS: 単位 寸 mm		CHK	K.IKEDA 27/JUN/'97
TOLERANCES UNLESS OTHERWISE SPECIFIED		APVD	N.MATSUBARA 27/JUN/'97
一般公差		I.HASEGAWA	
1Q : ±0.3		PRODUCT SPEC	
3Q : >10 : ±0.35		製品規格	
10Q : >30 : ±0.4		108-5453	
ANGLE : ±3'		APPLICATION SPEC	
MATERIAL 材料		114-5206	
銅合金 (COPPER ALLOY)		WEIGHT	
FINISH 仕上		1.7g	
SEE TABLE 表参照		CUSTOMER DRAWING	

tyco Electronics		Tyco Electronics AMP K.K. Kawasaki, Japan	
NAME 名称			
TAB CONTACT "S" SIZE タブコンタクト "S" サイズ <DYNAMIC D-5000 SERIES>			
SIZE	CAGE CODE	DRAWING NO 番号	
A3	00779	C= 917804	
SCALE 尺度		SHEET 1 OF 1	
4-1		REV 01	