



Neohm | Neohm CRGCQ

TE Internal #: 1-2176349-6

180 ohm, Surface Mount General Purpose Resistor, Thick Film, 2512, 1 W, 1 %, ±100 ppm/°C, Solder, 2 Terminations, .55 mm [.022 in] Height, Neohm CRGCQ

[View on TE.com >](#)

Passive Components > Resistors > Surface Mount Resistors



Resistance Value: 180 Ω

Resistor Type: **General Purpose Resistor**

Element Type: **Thick Film**

Package Size Code: **2512**

Power Rating: **1 W**

### Features

#### Product Type Features

Resistor Type	General Purpose Resistor
Element Type	Thick Film
Package Size Code	2512

#### Configuration Features

Number of Resistors	1
---------------------	---

#### Electrical Characteristics

Operating Voltage	200 V
Resistance Value	180 Ω
Power Rating	1 W
Resistance Class	Up to 1kΩ
Passive Component Tolerance	1 %

#### Termination Features

Surface Mount Resistor Termination Type	Solder
Number of Terminations	2

#### Dimensions

Product Height	.55 mm [.022 in]
Product Length	6.35 mm [.25 in]



Product Width	3.2 mm [.126 in]
---------------	------------------

### Usage Conditions

Temperature Coefficient	$\pm 100$ ppm/ $^{\circ}\text{C}$
-------------------------	-----------------------------------

### Packaging Features

Packaging Method	Taped & Reeled
------------------	----------------

## Product Compliance

[For compliance documentation, visit the product page on TE.com>](#)

EU RoHS Directive 2011/65/EU	Compliant with Exemptions
EU ELV Directive 2000/53/EC	Compliant with Exemptions
China RoHS 2 Directive MIIT Order No 32, 2016	Restricted Materials Above Threshold
EU REACH Regulation (EC) No. 1907/2006	Current ECHA Candidate List: JAN 2025 (247) Candidate List Declared Against: JAN 2025 (247) Does not contain REACH SVHC
Halogen Content	Low Halogen - Br, Cl, F, I < 900 ppm per homogenous material. Also BFR/CFR/PVC Free
Solder Process Capability	Reflow solder capable to 260 $^{\circ}\text{C}$

#### Product Compliance Disclaimer

This information is provided based on reasonable inquiry of our suppliers and represents our current actual knowledge based on the information they provided. This information is subject to change. The part numbers that TE has identified as EU RoHS compliant have a maximum concentration of 0.1% by weight in homogenous materials for lead, hexavalent chromium, mercury, PBB, PBDE, DBP, BBP, DEHP, DIBP, and 0.01% for cadmium, or qualify for an exemption to these limits as defined in the Annexes of Directive 2011/65/EU (RoHS2). Finished electrical and electronic equipment products will be CE marked as required by Directive 2011/65/EU. Components may not be CE marked. Additionally, the part numbers that TE has identified as EU ELV compliant have a maximum concentration of 0.1% by weight in homogenous materials for lead, hexavalent chromium, and mercury, and 0.01% for cadmium, or qualify for an exemption to these limits as defined in the Annexes of Directive 2000/53/EC (ELV). Regarding the REACH Regulation, the information TE provides on SVHC in articles for this part number is based on the latest European Chemicals Agency (ECHA) 'Guidance on requirements for substances in articles' posted at this URL: <https://echa.europa.eu/guidance-documents/guidance-on-reach>

## Compatible Parts



TE Part # 1-2176347-7  
CRGCQ 2010 220R 1%



TE Part # 2176349-4  
CRGCQ 2512 18R 1%



TE Part # 1-2176350-2  
CRGCQ 2512 68R 5%



TE Part # 1-2176345-2  
CRGCQ 1210 82R 1%



TE Part # 1-2176341-7  
CRGCQ 0805 220R 1%

### Also in the Series | Neohm CRGCQ



Surface Mount Resistors(693)

### Customers Also Bought



TE Part #182916-1  
CPC SQ.FL.RCPT STD SEX



TE Part #T4112002031-000  
M12,FEMALE,RA,A CODE,3P,PG9, GOLD



TE Part #622025-000  
D-144-25



TE Part #T4171010003-001  
M12,REAR MOUNTING,MALE,A,3P,0.2 M WIRE



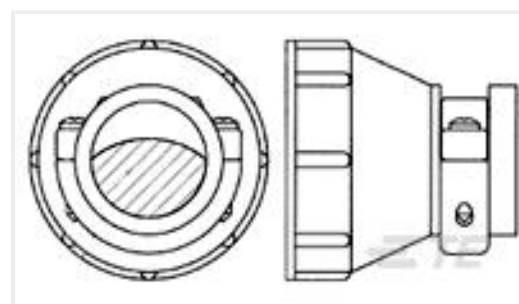
TE Part #182921-1  
CPC SQ.FL. RCPT REV SEX



TE Part #182651-1  
CPC Plug Assy, 11-4, Rev Sex



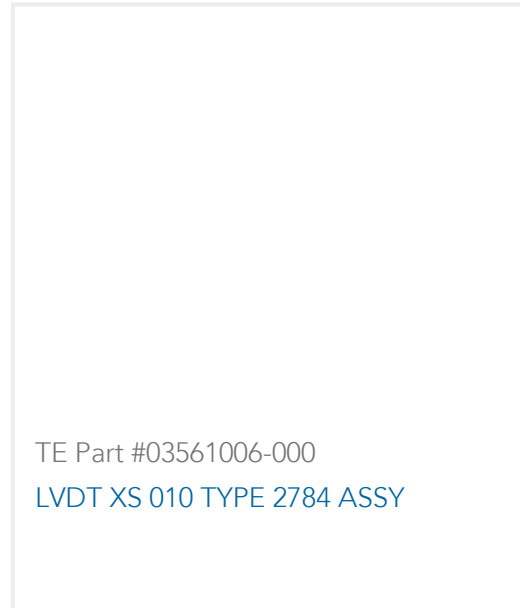
TE Part #1734248-6  
1.0 FPC, ZIF V/T, SMT, 6P



TE Part #182658-1  
11 SIZE CPC STD CLAMP



TE Part #1-1734248-2  
1.0 FPC, ZIF V/T, SMT, 12P



TE Part #03561006-000  
LVDT XS 010 TYPE 2784 ASSY

## Documents

### Product Drawings

[CRGCQ 2512 180R 1%](#)

English

### CAD Files

[3D PDF](#)

3D

Customer View Model

[ENG\\_CVM\\_CVM\\_1-2176349-6\\_BA.2d\\_dxf.zip](#)

English

Customer View Model

[ENG\\_CVM\\_CVM\\_1-2176349-6\\_BA.3d\\_igs.zip](#)

English

Customer View Model

[ENG\\_CVM\\_CVM\\_1-2176349-6\\_BA.3d\\_stp.zip](#)

English

By downloading the CAD file I accept and agree to the [Terms and Conditions](#) of use.

### Datasheets & Catalog Pages

[CRGCQ Data Sheet](#)

English