



Brand of NTN Group

## Technical data

### EXF312

Bearing units

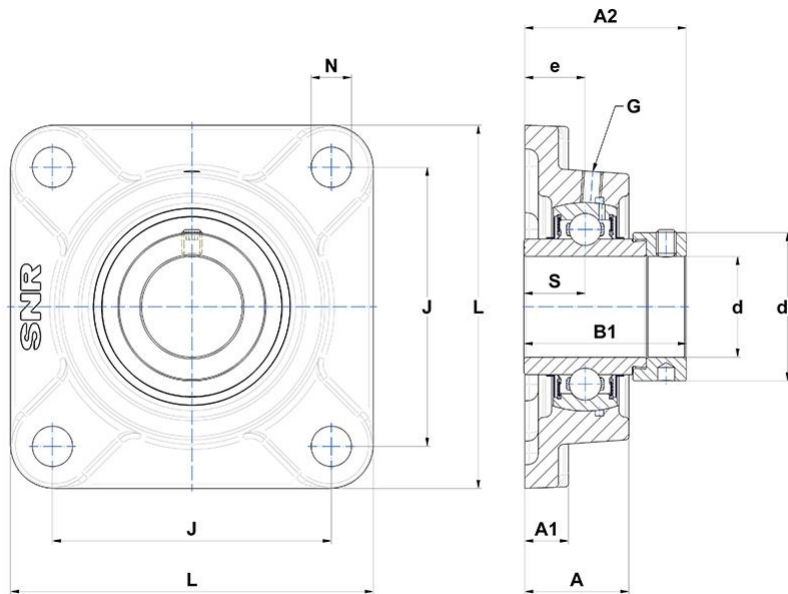


Grey cast housing, radial insert ball bearing with eccentric locking collar, seal with slinger

### KIT CONTENT

EX312G2, F312

### VISUAL (S)



### PRODUCT DEFINITION

|   |          |
|---|----------|
| <b>Brand</b>                                    | SNR      |
| <b>A - Housing height</b>                       | 56 mm    |
| <b>A1 - Housing foot height / flange height</b> | 22 mm    |
| <b>A2 - Total height from mounting surface</b>  | 81,45 mm |
| <b>B - Width of Inner Ring</b>                  | 61,9 mm  |
| <b>B1 - Overall width Inner Ring</b>            | 79,4 mm  |



**NTN Europe**

1 rue des Usines · BP 2017 · 74010 Annecy Cedex · France · Tel. +33 (0)4 50 65 30 00  
 S.A. au capital de 322 639 919 € · RCS ANNECY B 325 821 072 · Id. Fiscale : FR 48 325 821 072  
 SIRET 325 821 072 00015 · Code APE 2815 Z · Code NACE 28.15

### PRODUCT DEFINITION

|   |          |
|---|----------|
| <b>d - Shaft diameter</b>   | 60 mm    |
| <b>d1 - Outer dia of eccent. Lock. collar / nut of adapter sleeve</b> | 89 mm    |
| <b>e - Distance mounting surface to bearing center</b>                | 33 mm    |
| <b>G - Grease fitting</b>   | M6x1     |
| <b>J - Mounting holes distance</b>                                    | 150 mm   |
| <b>L - Housing width / diameter</b>                                   | 193 mm   |
| <b>N - Mounting hole dimension</b>                                    | 23 mm    |
| <b>S - Distance front side/bearing centre</b>                         | 30,95 mm |

### PRODUCT PERFORMANCE

|                                   |             |
|-----------------------------------|-------------|
| <b>C - Dynamic load rating</b>    | 81600000 mN |
| <b>C0 - Static load rating</b>    | 51800000 mN |
| <b>Operating temperature min.</b> | 253,15 °K   |
| <b>Operating temperature max.</b> | 373,15 °K   |

### OTHER FEATURES

|  |         |
|--|---------|
| <b>Mass</b>  | 6,62 kg |
| <b>Recommended tightening torque for set screw</b> | 22 N-m  |

