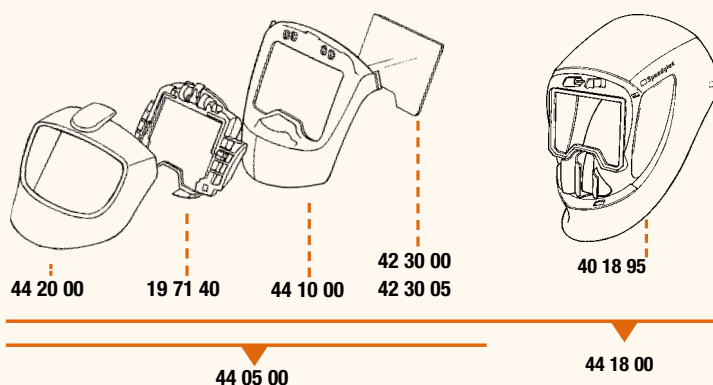




Speedglas™ 9000 FlexView Welding Shield

Part no.	Description
44 18 70	Welding shield with SideWindows and Speedglas 9002V filter, variable shade 9–13.
44 18 80	Welding shield with SideWindows and Speedglas 9002X filter, variable shade 9–13.

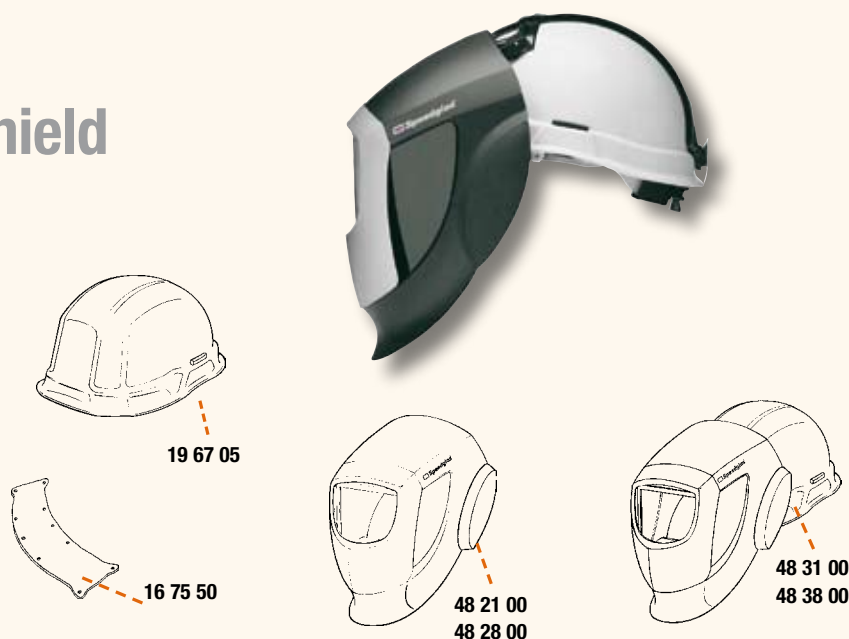


Accessories and spare parts

Part no.	Description	Part no.	Description	Part no.	Description
19 71 40	Welding filter holder.	42 30 00	Protective visor 120x90 mm, pkg of 10.	44 18 00	Welding shield with SideWindows, without welding filter.
19 71 41	FlexView locking wedge kit (holder welding filter).	44 05 00	Speedglas FlexView Conversion Kit.	44 20 00	Heatreflecting front, silver.
40 18 95	Inner welding shield with SideWindows.	44 10 00	Middle shield, black.		

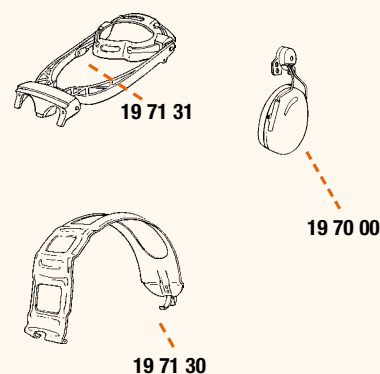
Speedglas™ 9000 ProTop Welding Shield

Part no.	Description
48 38 70	Welding shield with SideWindows and Speedglas 9002V filter, shade 9–13.
48 38 80	Welding shield with SideWindows and Speedglas 9002X filter, shade 9–13.

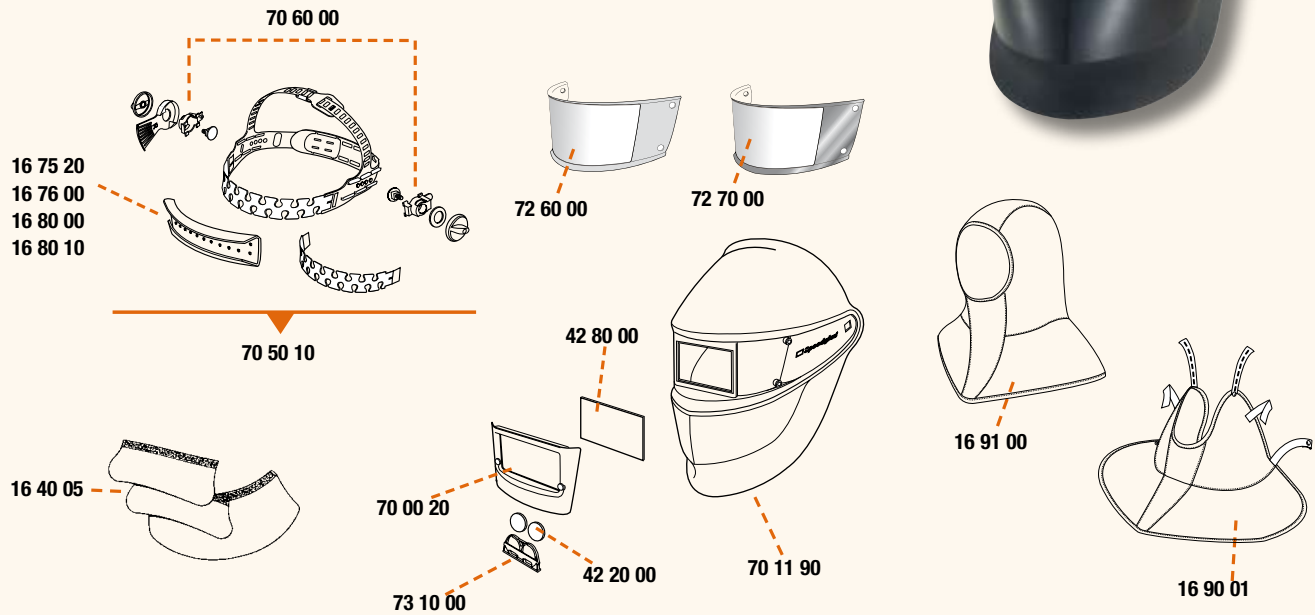


Accessories and spare parts

Part no.	Description	Part no.	Description
16 75 50	Sweatband (2 pcs).	48 28 00	Speedglas welding shield, adapted for safety helmet Tuffmaster II, with SideWindows.
19 67 05	Safety helmet, white – other colours upon request.	48 31 00	Speedglas ProTop welding shield with safety helmet, without SideWindows.
19 70 00	Ear protectors.	48 38 00	Speedglas ProTop welding shield with safety helmet, and SideWindows.
19 71 30	Safety helmet assembly parts.		
19 71 31	Welding shield mechanism parts.		
48 21 00	Speedglas welding shield, adapted for safety helmet Tuffmaster II, without SideWindows.		



Speedglas™ SL Welding Shield



Accessories and spare parts

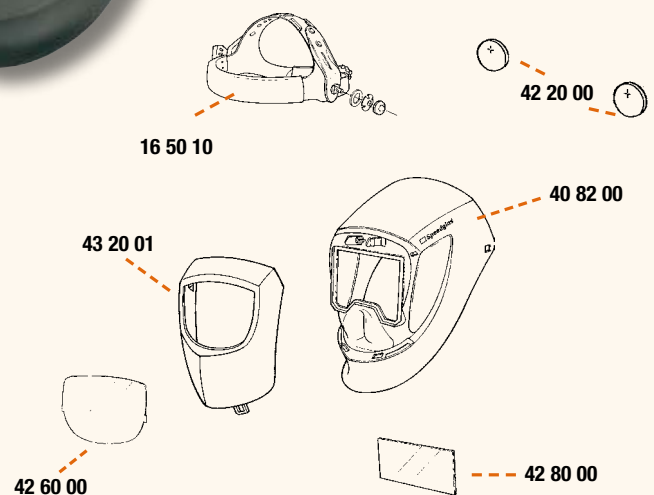
Part no.	Description	Part no.	Description	Part no.	Description
16 40 05	Ear and neck protection in leather (3 parts).	16 91 00	Welding hood in TecaWeld.	70 50 10	Headband with mounting details.
16 75 20	Sweatband, in towelling, purple, 2 pcs.	42 20 00	Battery pkg of 2.	70 60 00	Mounting details for headband.
16 76 00	Sweatband, in towelling, pkg of 20.	42 80 00	Inner protection plate, pkg of 5. Plate marking 420200.	72 60 00	Outer protection plate, standard, pkg of 5. Plate marking 030226.
16 80 00	Sweatband, in leather, 1 pcs.	70 00 20	Speedglas SL welding filter, variable shade 8-12.	72 70 00	Outer protection plate, scratch resistant pkg of 5. Plate marking 030248.
16 80 10	Sweatband, in fleece, brown, 1 pcs.	70 11 20	Speedglas SL welding shield, variable shade 8-12.	73 10 00	Battery cover.
16 90 01	Neck protection in TecaWeld.	70 11 90	Welding shield only (excl. headband).		

Speedglas™ Utility welding shield



Accessories and spare parts

Part no.	Description
16 50 10	Headband with mounting details
40 81 10	Speedglas Utility, shade 10.
40 81 11	Speedglas Utility, shade 11.
40 82 00	Inner welding shield.
42 20 00	Battery pkg of 2.
42 60 00	Outer protection plate standard, pkg of 10. Plate marking 42 01 50.
42 60 05	42 60 00, pkg of 200.
42 80 00	Inner protection plate, pkg of 5. Plate marking 42 02 00.
42 80 05	42 80 00, pkg of 200.
43 20 01	Front, black.





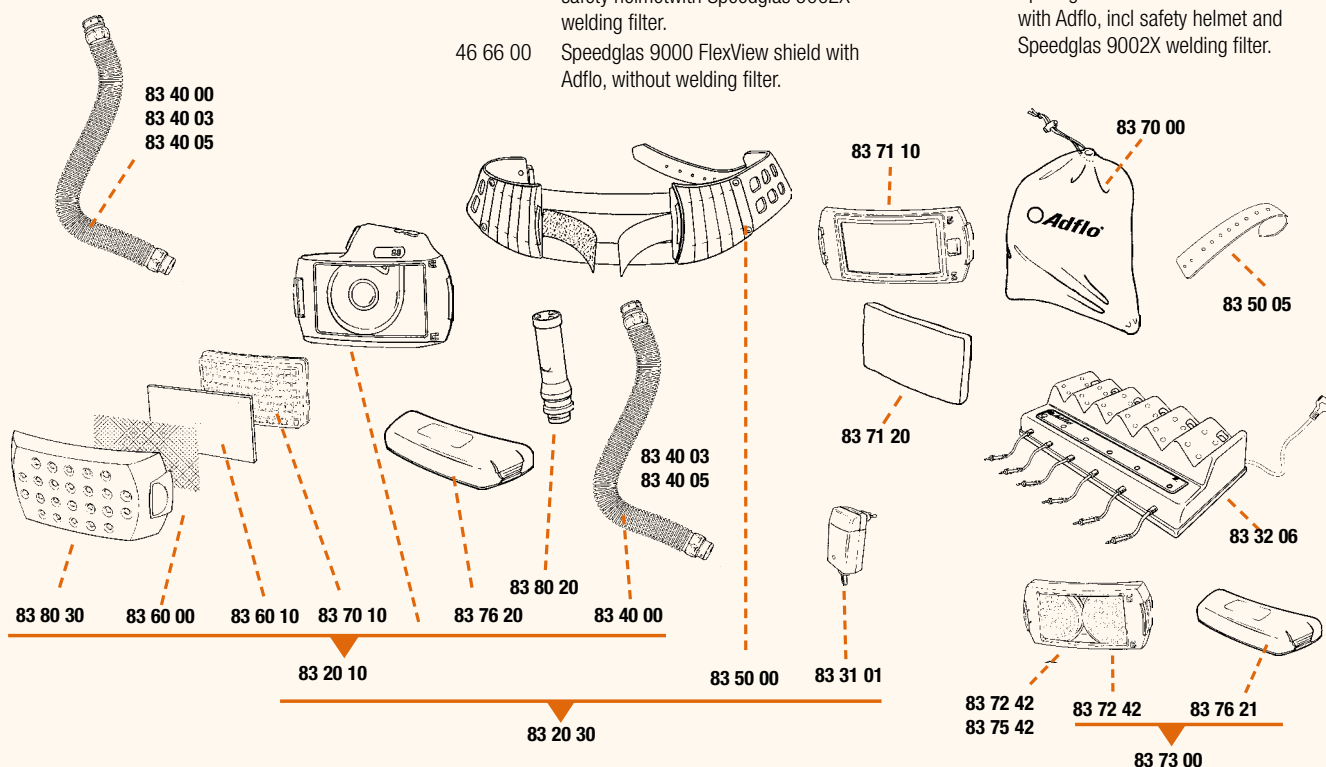
46 66 80



44 66 80

Speedglas™ 9000 Welding Shield with Adflo™ respirator protection

Part no.	Description	Part no.	Description
44 66 00	Speedglas 9000 shield with Adflo, without welding filter.	46 66 70	Speedglas 9000 FlexView shield with Adflo, with Speedglas 9002V welding filter.
44 66 70	Speedglas 9000 shield with Adflo, incl Speedglas 9002V welding filter.	46 66 80	Speedglas 9000 FlexView shield with Adflo, with Speedglas 9002X welding filter.
44 66 80	Speedglas 9000 shield with Adflo, with Speedglas 9002X welding filter.	47 66 00	Speedglas 9000 FlexView shield with Adflo, incl safety helmet, without welding filter.
44 68 00	Speedglas 9000 shield with Adflo, incl safety helmet without welding filter.	47 66 70	Speedglas 9000 FlexView shield with Adflo, incl safety helmet and Speedglas 9002V welding filter.
44 68 70	Speedglas 9000 shield with Adflo, incl safety helmet with Speedglas 9002V welding filter.	47 66 80	Speedglas 9000 FlexView shield with Adflo, incl safety helmet and Speedglas 9002X welding filter.
44 68 80	Speedglas 9000 shield with Adflo, incl safety helmet with Speedglas 9002X welding filter.		
46 66 00	Speedglas 9000 FlexView shield with Adflo, without welding filter.		

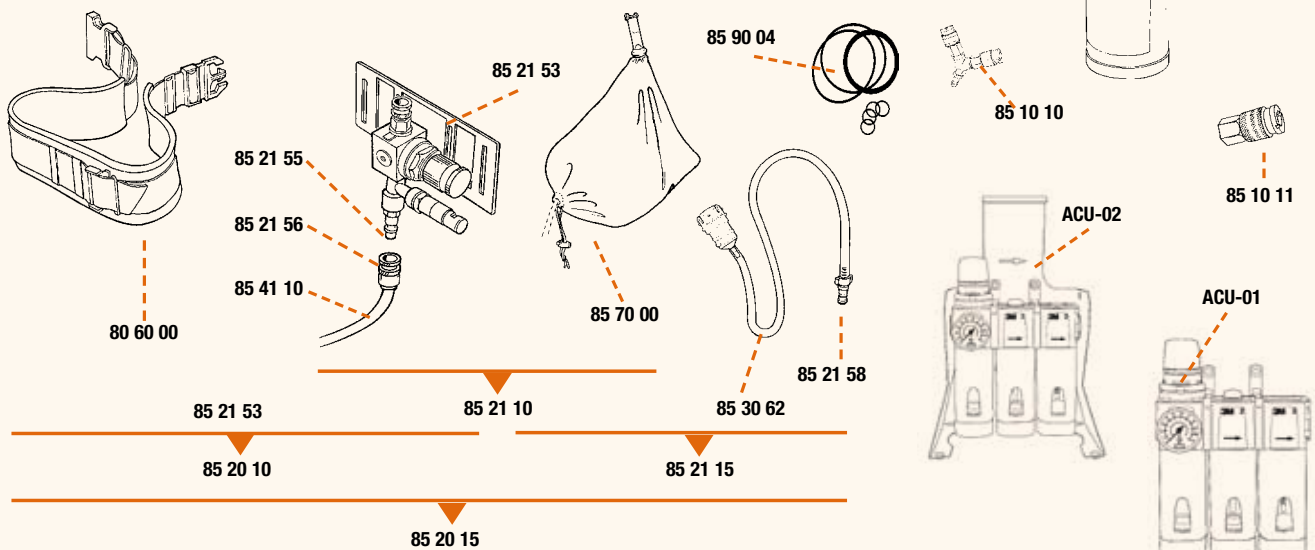


Accessories and spare parts

Part no.	Description	Part no.	Description	Part no.	Description
83 00 02	Accessory kit: including 2 pcs of sweatband (16 80 10), 10 pcs of outer protection plates (42 60 00), 1 face seal (43 40 01), 5 pcs of prefilter (83 60 10) and 1 particle filter (83 70 10).	83 31 01	Battery charger.	83 70 10	Particle filter P SL.
83 20 10	Adflo unit with breathing tube, air flow indicator, prefilter, spark arrestor, particle filter and battery.	83 32 06	Charge device 6 pos. EU.	83 70 20	Particle filter P SL, pkg of 20.
83 20 30	Adflo unit with breathing tube, air flow indicator, belt, spark arrestor, prefilter, particle filter, battery and battery charger.	83 40 00	Breathing tube (standard).	83 70 80	Particle filter P SL, pkg of 80.
83 20 31	Adflo unit complete as in 83 20 30, but with battery Heavy-Duty.	83 40 03	Breathing tube cover.	83 71 10	Odour filter.
		83 40 05	Breathing tube in rubber.	83 71 20	Odour filter pad.
		83 40 10	Breathing tube +25 cm.	83 72 42	Gas filter A1B1E1.
		83 40 12	Breathing tube double length.	83 73 00	Gas filter kit: A1B1E1 filter and Heavy-Duty battery.
		83 40 13	Breathing tube tripple length.	83 75 42	Gas filter A2.
		83 50 00	Belt.	83 76 20	Battery (standard).
		83 50 05	Front part, belt.	83 76 21	Battery Heavy-Duty.
		83 60 00	Spark arrestor.	83 80 20	Air flow indicator.
		83 60 10	Prefilter, pkg of 5.	83 80 30	Filter cover.
		83 60 80	Prefilter, pkg of 80.		
		83 70 00	Storage bag.		

Speedglas™ 9000 Welding Shield with Fresh-air™ C System

Part no.	Description	Part no.	Description
44 88 00	Speedglas 9000 FlexView shield with Fresh-air C, without welding filter.	46 88 00	Speedglas 9000 shield with Fresh-air C, without welding filter.
44 88 70	Speedglas 9000 FlexView shield with Fresh-air C, incl Speedglas 9002V welding filter.	46 88 70	Speedglas 9000 shield with Fresh-air C, incl Speedglas 9002V welding filter.
44 88 80	Speedglas 9000 FlexView shield with Fresh-air C, incl Speedglas 9002X welding filter.	46 88 80	Speedglas 9000 shield with Fresh-air C, incl Speedglas 9002X welding filter.
44 89 00	Speedglas 9000 FlexView shield with Fresh-air C, incl safety helmet, without welding filter.	47 88 00	Speedglas 9000 shield with Fresh-air C, incl safety helmet, without welding filter.



Accessories and spare parts

Part no.	Description	Part no.	Description	Part no.	Description
80 60 00	Comfort belt.	85 21 15	Fresh-air C system with variable air flow regulator with low pressure alarm, breathing tube and storage bag.	85 90 01	Filter element 292 SR49/SR79.
85 10 10	Y-coupling SR49/SR79.	85 21 53	Quick connection CEJN 2201/4.	85 90 04	Gasket kit SR49/SR79 Housing.
85 10 11	Coupling SR49.	85 21 55	Nipple regulator CEJN 342.	ACU-01	New from August 2007: 3M Aircare Filtration system (wall mounted).
85 20 10	Variable air flow regulator, low pressure alarm, comfort belt and storage bag.	85 21 56	Quick connection CEJN 342.	ACU-02	New from August 2007: 3M Aircare Filtration system (stand alone).
85 20 15	Fresh-air C system with variable air flow regulator, low pressure alarm, breathing tube, comfort belt and storage bag.	85 21 58	Nipple breathing tube CEJN 220 1/4.	AFU500F	Replaced by part no. ACU-02.
85 21 10	Fresh-air C system with variable air flow regulator with low pressure alarm and storage bag.	85 30 62	Breathing tube with nipple (85 21 58).	AFU500W	Replaced by part no. ACU-01.
		85 41 10	Approved breathing tube 10 m green. Other lengths according to quotation.		
		85 70 00	Storage bag.		



44 38 00



44 88 00



44 48 91



42 31 00



44 28 91

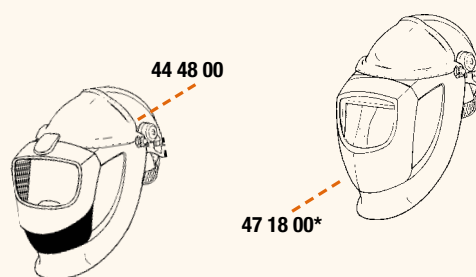
Speedglas™ Constant Welding Shield with respiratory protection

Part no.	Description	Part no.	Description
42 31 00	Inner protection plate for Speedglas Constant, pkg of 5. Plate marking 030211.	44 40 00	Speedglas Constant welding shield with safety helmet, conventional filter fixed shade 11 and Adflo respirator.
44 28 91	Speedglas Constant welding shield for respiratory protection with a conventional fixed shade 11 welding filter.	44 48 91	Speedglas Constant welding shield with safety helmet for respiratory protection, with a conventional fixed shade 11 welding filter.
44 30 00	Conventional welding filter fixed shade 11.	44 88 00	Speedglas Constant welding shield with Fresh-air C System, excl welding filter.
44 38 00	Speedglas Constant welding shield with conventional filter fixed shade 11 and Adflo respirator.	44 89 00	Speedglas Constant welding shield with safety helmet excl welding filter with Fresh-air C System.

Speedglas™ 9000 Shields for respiratory protection with safety helmet

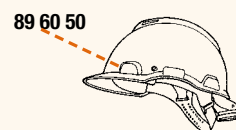


43 40 05



44 48 00

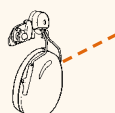
47 18 00*



89 60 50



43 40 11



19 70 10



19 71,01

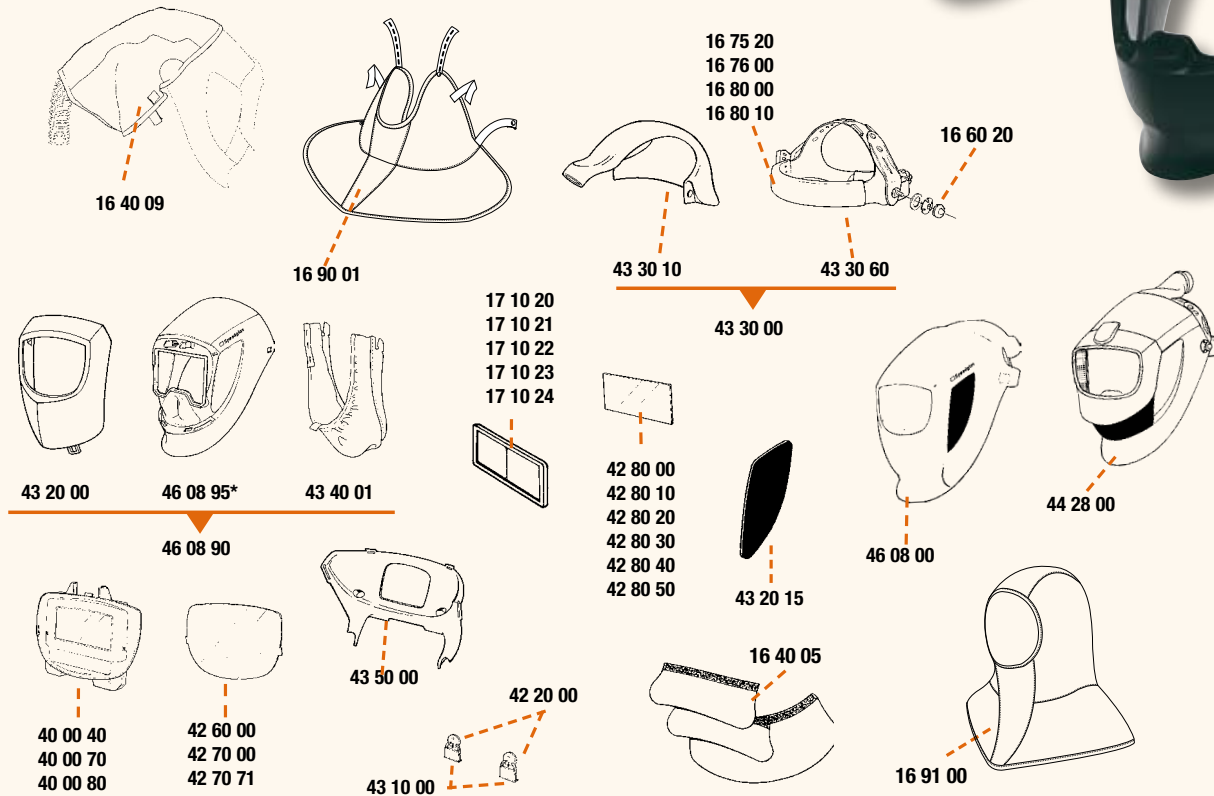


89 60 72

Accessories and spare parts

Part no.	Description
19 70 10	Ear protectors for safety helmet with mounting details.
19 71 01	Fastening details for safety helmet with mounting details.
43 40 05	Face seal for shield.
43 40 11	Helmet seal in leather for Speedglas welding shield with safety helmet.
44 48 00	Speedglas FlexView welding shield for respiratory protection with safety helmet.
47 18 00	Speedglas welding shield for respiratory protection with safety helmet.
89 60 50	Safety helmet with air duct.
89 60 72	Fastening details for face seal.

Speedglas™ 9000 welding shields for respiratory protection



Accessories and spare parts

Part no.	Description	Part no.	Description	Part no.	Description
16 40 05	Ear and neck protection in leather (3 parts).	42 70 00	Outer protection plate scratch resistant, pkg of 10. Plate marking 42 01 00.	43 10 00	Battery cover, pkg of 2.
16 40 09	Head cover, TecaWeld, big.	42 70 05	42 70 00, pkg of 200.	43 20 00	Heatreflecting silver front.
16 60 20	Mounting details for headband.	42 70 71	Outer protection plate heat resistant, pkg of 10. Plate marking 42 01 70.	43 20 15*	SideWindow cover plate (sticker), 5 pairs.
16 75 20	Sweatband towelling (2 pcs).	42 80 00	Inner protection plate (42x91 mm) Speedglas 9000F/9002V, pkg of 5. Plate marking 42 02 00.	43 30 00	Headband with air duct.
16 76 00	Sweatband towelling (20 pcs).	42 80 05	42 80 00, pkg of 200.	43 30 10	Air duct.
16 80 00	Sweatband in leather.	42 80 10	Inner protection plate (53x103 mm) Speedglas 9002X/9000XF, pkg of 5. Plate marking 42 02 10.	43 30 60	Headband without air duct.
16 80 10	Sweatband fleece.	42 80 15	42 80 10, pkg of 200.	43 40 01	Face seal.
16 90 01	Neck cover, TecaWeld.	42 80 20	Inner protection plate +1 Shade number Speedglas9000F/9002V, pkg of 5.	43 50 00	Air spreader.
16 91 00	Hood neck/head TecaWeld.	42 80 30	Inner protection plate +1 Shade number Speedglas 9002X/9000XF, pkg of 5.	44 28 00	Speedglas FlexView welding shield for respiratory protection.
17 10 20	Magnifying lens 1.0.	42 80 40	Inner protection plate +2 Shade number Speedglas9000F/9002V, pkg of 5.	46 08 00	Speedglas welding shield for respiratory protection without welding filter.
17 10 21	Magnifying lens 1.5.	42 80 50	Inner protection plate +2 Shade number Speedglas 9002X/9000XF, pkg of 5.	46 08 90*	Speedglas welding shield without headband and airduct.
17 10 22	Magnifying lens 2.0.	43 10 00	Battery cover, pkg of 2.		
17 10 23	Magnifying lens 2.5.	43 20 00	Heatreflecting silver front.		
17 10 24	Magnifying lens 3.0.	43 20 15*	SideWindow cover plate (sticker), 5 pairs.		
40 00 40	Speedglas 9002D welding filter, dual shade 9/11.	43 30 00	Headband with air duct.		
40 00 70	Speedglas 9002V welding filter, variable shade 9–13.	43 30 10	Air duct.		
40 00 80	Speedglas 9002X welding filter, variable shade 9–13.	43 30 60	Headband without air duct.		
42 20 00	Battery, pkg of 2.	43 40 01	Face seal.		
42 60 00	Outer protection plate standard, pkg of 10. Plate marking 42 01 50.	43 50 00	Air spreader.		
42 60 05	42 60 00, pkg of 200.	44 28 00	Speedglas FlexView welding shield for respiratory protection.		
		46 08 00	Speedglas welding shield for respiratory protection without welding filter.		
		46 08 90*	Speedglas welding shield without headband and airduct.		

*Please use part no. 46 08 90 to replace the SideWindows.

Note, regarding Speedglas welding shields for grinding applications, for further information see page 44.

Protective visor with Adflo™ respirator

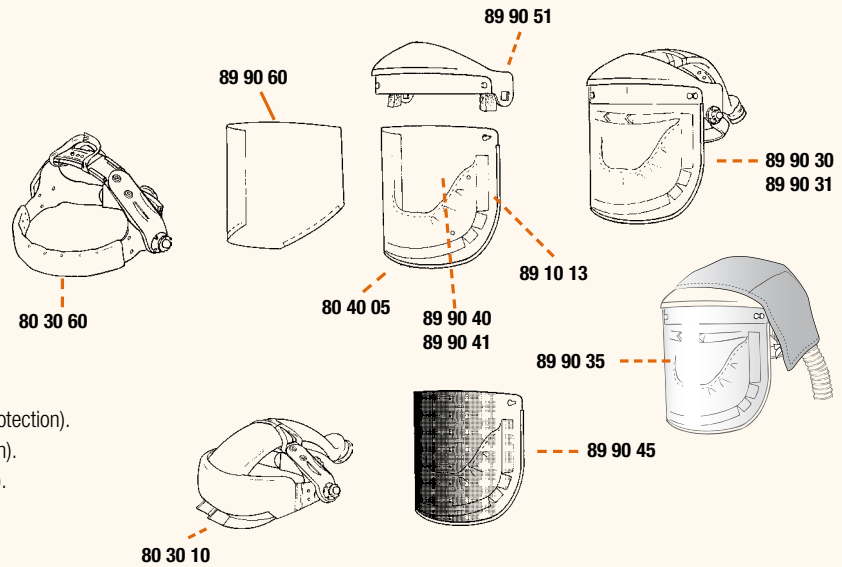
- 89 90 20 with ClearVisor in polycarbonate.
- 89 90 21 with ClearVisor in acetate.
- 89 90 25 with Visor shade DIN 5.



89 90 20

Accessories and spare parts

Part no.	Description
80 30 10	Headband with air duct.
80 30 60	Headband without air duct.
80 40 05	Face seal.
89 10 13	Velcro face seal, pkg of 2.
89 90 30	Complete ClearVisor, polycarbonate.
89 90 31	Complete ClearVisor, acetate.
89 90 35	Complete visor shade DIN5.
89 90 40	ClearVisor, polycarbonate (excluding brow protection).
89 90 41	ClearVisor, acetate (excluding brow protection).
89 90 45	Visor shade DIN5 (excluding brow protection).
89 90 51	Brow protection.
89 90 60	Protection film, pkg of 5.



Protective visor with Fresh-air™ C System

- 89 91 00 with ClearVisor in polycarbonate.
- 89 91 01 with ClearVisor in acetate.



89 91 00

Accessories and spare parts

Part no.	Description
80 30 60	Headband without air duct.
80 40 05	Face seal.
85 30 56	Breathing tube with nipple, silencer and fastening details.
89 10 13	Velcro face seal pkg of 2.
89 90 60	Protection film pkg of 5.
89 91 30	Complete ClearVisor polycarbonate.
89 91 31	Complete ClearVisor, acetate.
89 91 35	Complete Visor shade DIN5.
89 91 40	ClearVisor polycarbonate with face seal (excluding brow protection).
89 91 41	ClearVisor acetate with face seal (excluding brow protection).
89 91 45	Visor shade DIN 5 with face seal (excluding brow protection).
89 91 51	Brow protection.

