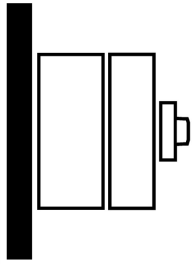
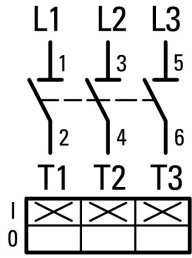
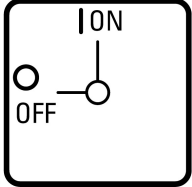




**Switch-disconnector, DMM, 160 A, 3 pole, Emergency switching off function, With red rotary handle and yellow locking ring, in steel enclosure**

**Part no. DMM-160/3/SE4/P-R**  
**Catalog No. 197329**

**Delivery program**

Product range			Switch-disconnector Main switch maintenance switch
Part group reference			DMM
Stop Function			Emergency switching off function
Information about equipment supplied			With red rotary handle and yellow locking ring auxiliary contact fitted by user.
Notes			in steel enclosure
Number of poles			3 pole
<b>Auxiliary contacts</b>			
		N/O	0
		N/C	0
Notes			1 padlock, # 5 mm
Locking facility			Lockable in the 0 (Off) position
Degree of Protection			IP65
			<b>totally insulated</b>
Design			surface mounting
			
Contact sequence			
Switching angle		°	90
Function			
<b>Motor rating AC-23A, 50 - 60 Hz</b>			
400 V	P	kW	80
Rated uninterrupted current	I <sub>u</sub>	A	160

## Technical data

### General

Standards			IEC/EN 60947, VDE 0660, IEC/EN 60204 Switch disconnecter in accordance with IEC/EN 60947-3
Certifications			CE
Ambient temperature			
Operation	$\theta$	°C	-25 - +55
Storage	$\theta$	°C	-30 - +80
Overvoltage category/pollution degree			III/3
Rated impulse withstand voltage	$U_{imp}$	kV	6
Rated insulation voltage	$U_i$	V	690
Mounting position			As required

### Contacts

Mechanical variables			
Number of poles			3 pole
Auxiliary contacts			
		N/O	0
		N/C	0
Electrical characteristics			
Rated operational voltage	$U_e$	V AC	690
Rated uninterrupted current	$I_u$	A	160
Note on rated uninterrupted current $I_u$			Rated uninterrupted current $I_u$ is specified for max. cross-section.
Short-circuit rating			
fuse			125
Rated conditional short-circuit current	$I_q$	kA	30
Breaking current		kA	13.5
max. let-through energy		kA <sup>2</sup> s	86,9
Rated short-time withstand current (1 s current)	$I_{cw}$	A <sub>rms</sub>	2500
Note on rated short-time withstand current $I_{cw}$			Current for a time of 1 second
Heat dissipation per pole, current-dependent	$P_{vid}$	W	8

### Switching capacity

Rated breaking capacity $\cos \varphi$ to IEC 60947-3		A	
400/415 V		A	1080
500 V		A	528
690 V		A	336
Safe isolation to EN 61140			
Current heat loss per contact at $I_e$		W	8
Lifespan, mechanical	Operations		10000
AC			
AC-21A			
Rated operational current switch			
400 V 415 V	$I_e$	A	160
500 V	$I_e$	A	160
690 V	$I_e$	A	160
AC-22A			
Rated operational current switch			
400 V 415 V	$I_e$	A	160
500 V	$I_e$	A	160
690 V	$I_e$	A	160
AC-23A			
Rated operational current switch			
400 V 415 V	$I_e$	A	140
500 V	$I_e$	A	66

690 V	I <sub>e</sub>	A	42
Motor rating AC-23A, 50 - 60 Hz	P	kW	
400 V 415 V	P	kW	80
500 V	P	kW	45
690 V	P	kW	37

### Terminal capacities

Flexible with ferrules to DIN 46228		mm <sup>2</sup>	
flexible		mm <sup>2</sup>	6 - 70
Stripping length		mm	21
Tightening torque for terminal screw		Nm	7

### Technical safety parameters:

<b>Notes</b>			B10 <sub>d</sub> values as per EN ISO 13849-1, table C1
--------------	--	--	---

## Design verification as per IEC/EN 61439

Technical data for design verification			
Heat dissipation per pole, current-dependent	P <sub>vid</sub>	W	8
Operating ambient temperature min.		°C	-25
Operating ambient temperature max.		°C	55

## Technical data ETIM 7.0

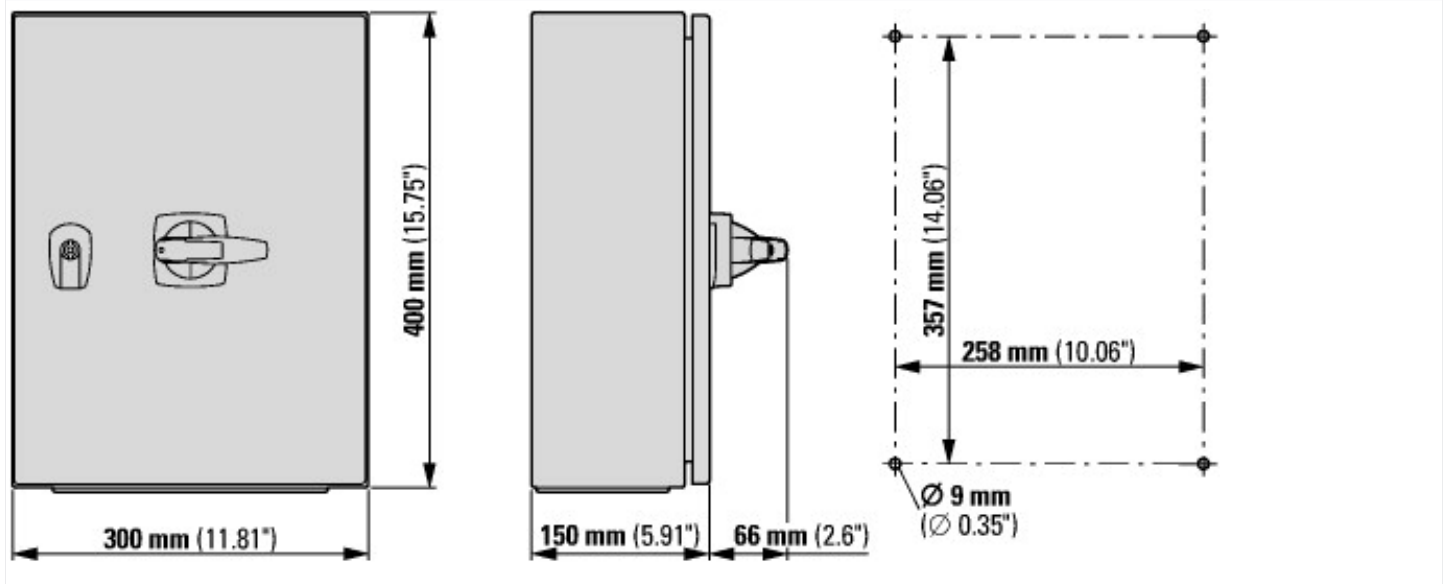
Low-voltage industrial components (EG000017) / Switch disconnecter (EC000216)

Electric engineering, automation, process control engineering / Low-voltage switch technology / Off-load switch, circuit breaker, control switch / Switch disconnecter (ecl@ss10.0.1-27-37-14-03 [AKF060013])

Version as main switch			Yes
Version as maintenance-/service switch			Yes
Version as safety switch			Yes
Version as emergency stop installation			Yes
Version as reversing switch			No
Number of switches			1
Max. rated operation voltage U <sub>e</sub> AC		V	690
Rated operating voltage		V	690 - 690
Rated permanent current I <sub>u</sub>		A	160
Rated permanent current at AC-23, 400 V		A	140
Rated permanent current at AC-21, 400 V		A	160
Rated operation power at AC-3, 400 V		kW	0
Rated short-time withstand current I <sub>cw</sub>		kA	2.5
Rated operation power at AC-23, 400 V		kW	80
Switching power at 400 V		kW	80
Conditioned rated short-circuit current I <sub>q</sub>		kA	50
Number of poles			3
Number of auxiliary contacts as normally closed contact			0
Number of auxiliary contacts as normally open contact			0
Number of auxiliary contacts as change-over contact			0
Motor drive optional			No
Motor drive integrated			No
Voltage release optional			No
Device construction			Complete device in housing
Suitable for ground mounting			Yes
Suitable for front mounting 4-hole			No
Suitable for front mounting centre			No
Suitable for distribution board installation			No
Suitable for intermediate mounting			No
Colour control element			Red
Type of control element			Toggle
Interlockable			Yes

Type of electrical connection of main circuit		Screw connection
Degree of protection (IP), front side		IP65
Degree of protection (NEMA)		Other

## Dimensions



## Additional product information (links)

### Switch disconnector in steel enclosure

Switch disconnector in steel enclosure	<a href="ftp://ftp.moeller.net/DOCUMENTATION/AWA_INSTRUCTIONS/IL008058ZU2018_12.pdf">ftp://ftp.moeller.net/DOCUMENTATION/AWA_INSTRUCTIONS/IL008058ZU2018_12.pdf</a>
Technical overview cam switch, switch-disconnector	<a href="http://de.ecat.moeller.net/flip-cat/?edition=HPLTEv1&amp;startpage=4.2">http://de.ecat.moeller.net/flip-cat/?edition=HPLTEv1&amp;startpage=4.2</a>
System overview cam switch T	<a href="http://de.ecat.moeller.net/flip-cat/?edition=HPLTEv1&amp;startpage=4.4">http://de.ecat.moeller.net/flip-cat/?edition=HPLTEv1&amp;startpage=4.4</a>
System overview switch-disconnector P	<a href="http://de.ecat.moeller.net/flip-cat/?edition=HPLTEv1&amp;startpage=4.6">http://de.ecat.moeller.net/flip-cat/?edition=HPLTEv1&amp;startpage=4.6</a>
Key to part numbers Cam switch	<a href="http://de.ecat.moeller.net/flip-cat/?edition=HPLTEv1&amp;startpage=4.8">http://de.ecat.moeller.net/flip-cat/?edition=HPLTEv1&amp;startpage=4.8</a>
Key to part numbers Switch-disconnector	<a href="http://de.ecat.moeller.net/flip-cat/?edition=HPLTEv1&amp;startpage=4.8">http://de.ecat.moeller.net/flip-cat/?edition=HPLTEv1&amp;startpage=4.8</a>
Switches for ATEX	<a href="http://www.coopercrouse-hinds.eu/en/products/25-ex-safety-and-main-current-switches.html">http://www.coopercrouse-hinds.eu/en/products/25-ex-safety-and-main-current-switches.html</a>