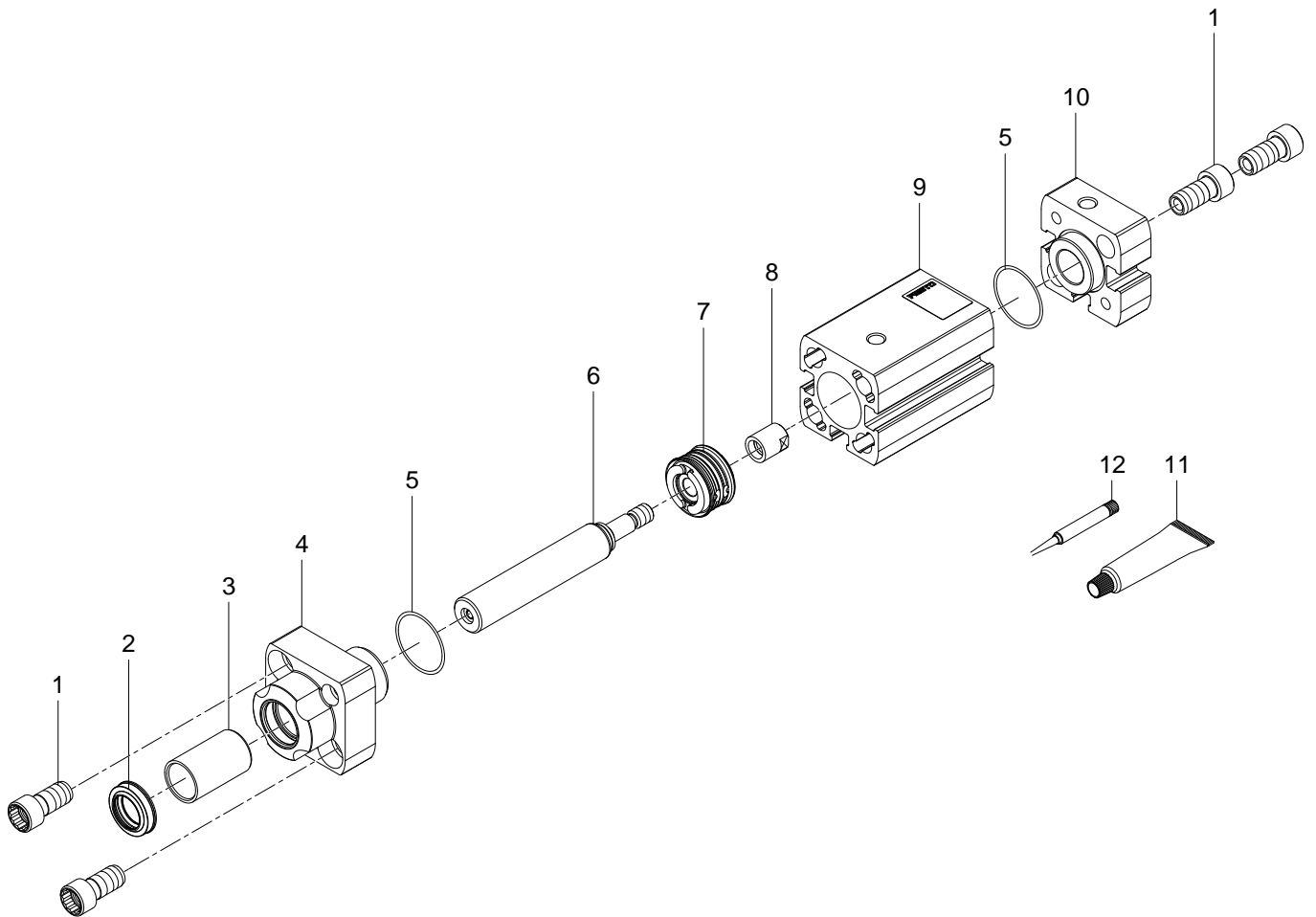


576064 DFSP-16-10-DF-PA Stopper cylinder - Series: All



576064 DFSP-16-10-DF-PA Stopper cylinder - Series: All

Pos.	Part no.	Type	Note	Qty.	Unit
A	8005115	DFSP-...-16 Set of wearing parts	Spare parts: 2, 5, 7, 11, 12	1	PC
1	658854	ADN-12/16 flange screw	Tightening torque 6 Nm / 4.4 lbf ft	4	PC
2	8188158	WIFC1-10X14X3,7-TPE-U Wiper seal	Grease using during assembly. See position 11	1	PC
3		XSM-1012-20 Plain bearing	Not available Grease using during assembly. See position 11	1	PC
4		DFSP-16 Bearing cap	Not available	1	PC
5		B-16X0,6-N-NBR70 O-ring ISO3601	Not available separately, see position A Grease using during assembly. See position 11	2	PC
6		DFSP-16-X-F Piston rod	Not available Use locking compound. See position 12	1	PC
7		BA-K10D-016-A Complete piston	Not available separately, see position A Grease using during assembly. See position 11	1	PC
8		DSNU-16 Nut	Not available Tightening torque 1.5 Nm / 1.1 lbf ft	1	PC
9		DFSP-16-X Cylinder barrel	Not available Grease using during assembly. See position 11	1	PC
10		DFSP-16 End cap	Not available	1	PC
11	684474	LUB-KC1 SILIKONFREI 20ML Lubricating grease		1	PC
12	8181256	CYBERBOND TM44 TB1ML Adhesive bonding agent		1	PC