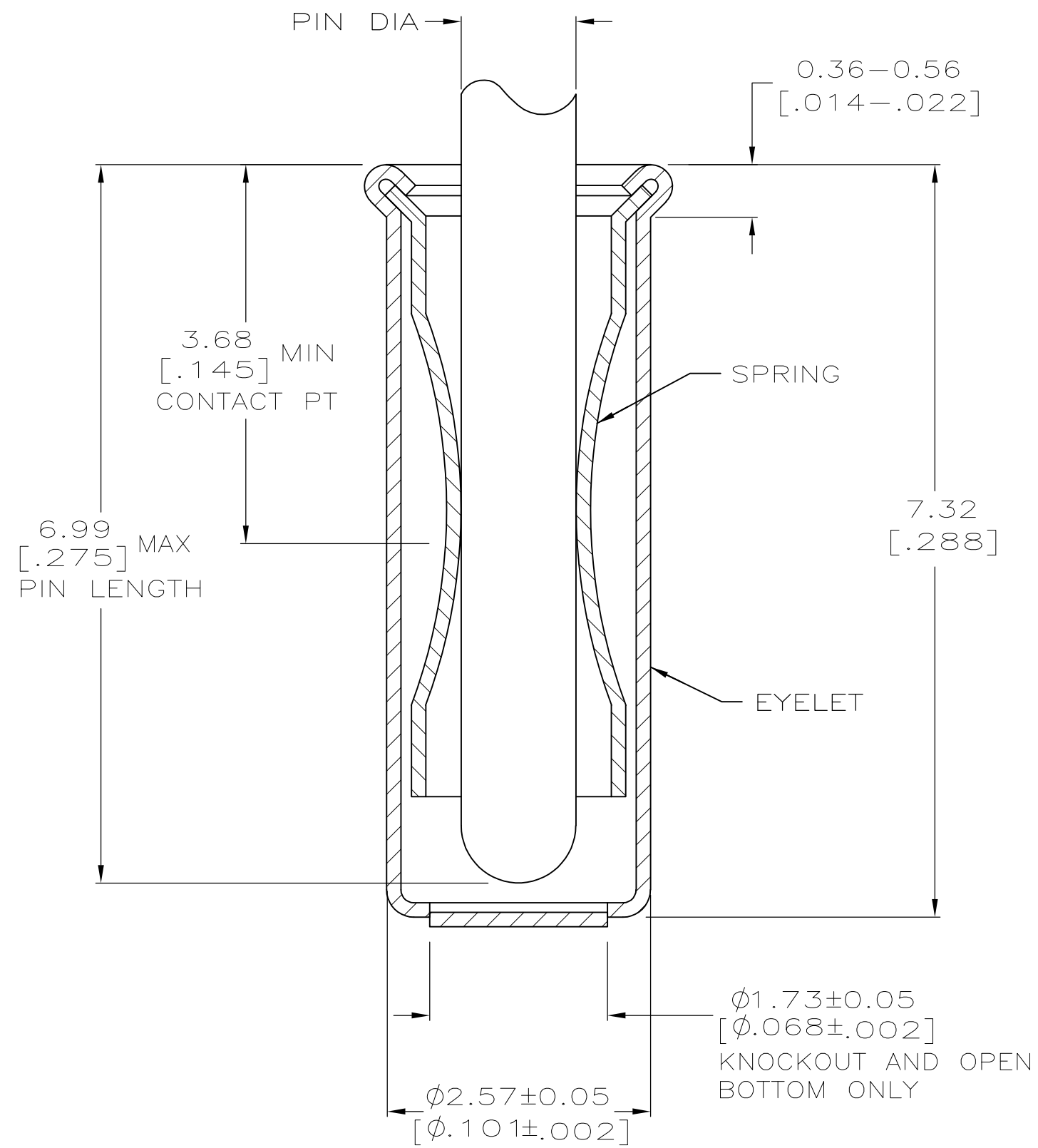
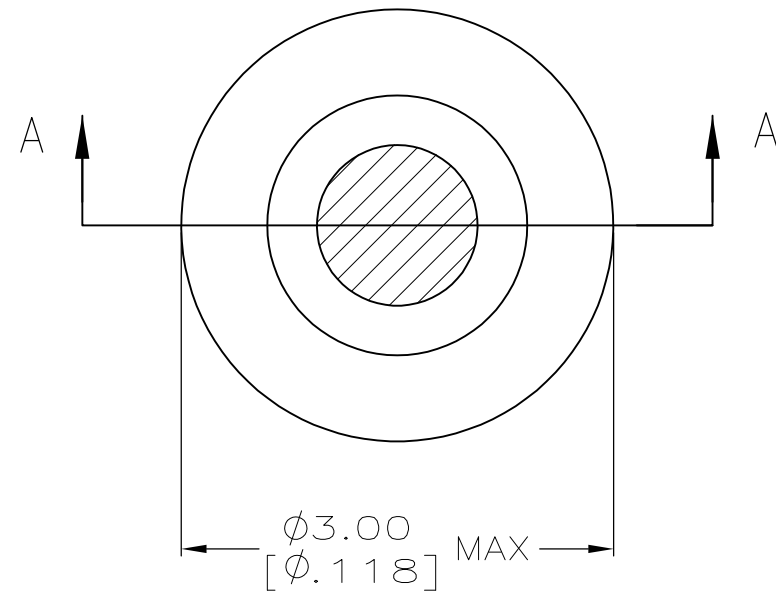


THIS DRAWING IS UNPUBLISHED. RELEASED FOR PUBLICATION
 © COPYRIGHT - By - ALL RIGHTS RESERVED.

LOC	DIST	REVISIONS 11-11-94 RT		
GP	00	P	LTR	DESCRIPTION
		A2		REVISED PER ECO-11-004835
			DATE	OWN
			07MAR11	RK
			APVD	HMR



SECTION A-A

- 1. TIN PLATE PER ASTM B 545 .0.00254 [.000100] MIN THICK.
- 2. GOLD PER ASTM B 488, 0.00076 [.000030] MIN THICK OVER NICKEL PLATE PER QQ-N-290 0.00028 [.000011] MIN THICK ON CONTACT AREA.
- 3. RECOMMENDED HOLE SIZE, PLATED OR UNPLATED:
 MACHINE INSERTION: 2.56±0.08 [.101±.003]
 HAND INSERTION: 2.62^{+0.10}_{-0.00} [.103^{+0.004}_{-.000}]
- 4. APPLICATION TOOL PART NUMBER:
 MACHINE NO. 682127-6
 INSERTION HEAD NO. 682039-5
- 5. TO INSURE PROPER SPRING TENSION DO NOT EXCEED A 0.05 [.002] DIFFERENCE IN PIN DIA WHEN CHANGING TO A SMALLER PIN.
- 6. BOTTOM PLUG KNOCKOUT TOOL PART NUMBER 69729 WITH TIP PART NUMBER 69728-3.
- 7. MATERIAL: SPRING: BERYLLIUM COPPER PER ASTM B 194
 EYELET: COPPER PER ASTM B 152
- 8. OBSOLETE PARTS: OBSOLETE CIS STREAMLINING PER D.RENAUD/D.SINISI

8 OBSOLETE	OPEN	1.42-1.65 [.056-.065]	TIN 1	TIN 1	2-5050871-4
	CLOSED			GOLD 2	2-5050871-3
	KNOCKOUT				2-5050871-1
	OPEN	1.27-1.45 [.050-.057]	TIN 1	GOLD 2	1-5050871-9
	CLOSED			TIN 1	1-5050871-0
	OPEN	1.07-1.24 [.042-.049]		TIN 1	5050871-8
	CLOSED			GOLD 2	5050871-6
	OPEN			GOLD 2	5050871-5
					5050871-1
	BOTTOM TYPE	RECOMMENDED PIN DIA 5		EYELET	SPRING
				FINISH	
				PART NO	

THIS DRAWING IS A CONTROLLED DOCUMENT.		DWN	20APR2005	J. ALCORTA - DOCK5	
DIMENSIONS: mm [INCHES]		CHK	20APR2005	J. HAVENER	
TOLERANCES UNLESS OTHERWISE SPECIFIED:		APVD	20APR2005	J. HAVENER	
0 PLC	± -	PRODUCT SPEC			
1 PLC	± -	APPLICATION SPEC			
2 PLC	± -	WEIGHT			
3 PLC	± 0.20 [.008]	CUSTOMER DRAWING			
4 PLC	± -	SCALE 20:1			
ANGLES	± -	SHEET 1 OF 1			
MATERIAL	SEE TABLE	FINISH		REV A2	

5050871

A