



Image may differ from product. See technical specification for details.

99267

SKF Speedi-Sleeve

SKF Speedi-Sleeve provides an alternative to costly repairs for worn or damaged shafts. This thin-walled sleeve, specially developed by SKF, is simply positioned over the relevant part of the shaft and provides a smooth counterface that is optimized for radial shaft seals. Use of SKF Speedi-Sleeve can prevent the need for costly shaft treatments that may involve machining, hardening, plunge grinding or disassembly. SKF Speedi-Sleeve Gold is an enhanced version of standard SKF Speedi-Sleeve, offering improved resistance to abrasive wear.

- Optimized countersurface
- Cost effective
- Well-proven solution

Overview

Dimensions

Width	41.28 mm
Shaft diameter, minimum	69.77 mm
Shaft diameter, maximum	69.93 mm
Shaft diameter	69.85 mm
Removable flange outside diameter	78.11 mm
Seal seat width	36.53 mm

Properties

Type	Standard
Design	SSLV

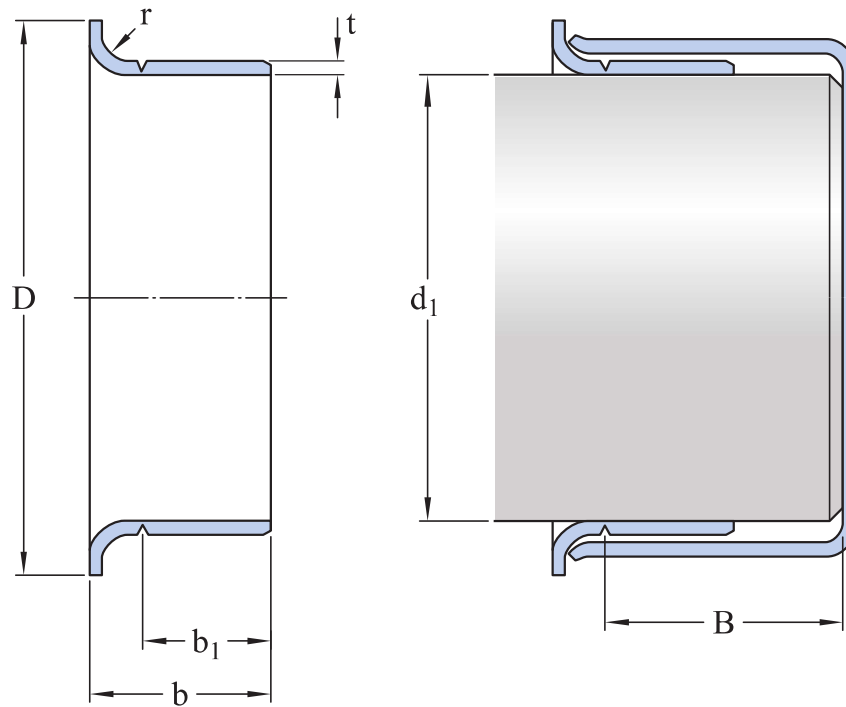
Logistics

Product net weight	0.113 kg
eClass code	23-05-92-90
UNSPSC code	31171605

Technical specification

Type

Standard



Dimensions

SHAFT DIAMETER RANGE




d_1	min. 69.77 mm	Shaft diameter range
d_1	max. 69.93 mm	Shaft diameter range

NOMINAL DIMENSIONS

d_1	69.85 mm	Nominal bore diameter
D	78.11 mm	Nominal outside diameter
	± 1.57 mm	Tolerance outside diameter D
b	41.28 mm	Nominal width
	± 0.8 mm	Tolerance width b

b_1	36.53 mm	Nominal width of plain sleeve (up to flange groove)
	± 0.8 mm	Tolerance width b_1
B	max. 41.28 mm	Installation distance
r	max. 3.18 mm	Bushing radius (chamfer) between bore and side face
t	0.25 mm	Nominal thickness

More Information

 Engineering information	 Related documents	 Catalogues
Radial shaft seals	Industrial sealing solutions (644.6 KB)	Industrial shaft seals (7.2 MB)
Casette seals	HMS5 and HMSA10, shaft seals (192.4 KB)	Reinforced shaft seals (1.7 MB)
Wear sleeves	SKF Speedi-Sleeve (591.9 KB)	CR Seals handbook (7.9 MB)
Track pin seals	SKF Mudblock seals (350.0 KB)	
Metal face seals		
V-ring seals		
Axial clamp seals		



Terms of use

By accessing and using this website / app owned and published by AB SKF (publ.) (556007-3495 · Gothenburg) ("SKF"), you agree to the following terms and conditions:

Warranty Disclaimer and Limitation of Liability

Although every care has been taken to assure the accuracy of the information on this website / app, SKF provides this information "AS IS" and DISCLAIMS ALL WARRANTIES, EXPRESS OR IMPLIED, INCLUDING, BUT NOT LIMITED TO, IMPLIED WARRANTIES OF MERCHANTABILITY AND FITNESS FOR A PARTICULAR PURPOSE. You acknowledge that your use of this website / app is at your sole risk, that you assume full responsibility for all costs associated with use of this website / app, and that SKF shall not be liable for any direct, incidental, consequential, or indirect damages of any kind arising out of your access to, or use of the information or software made available on this website / app.

Any warranties and representations in this website / app for SKF products or services that you purchase or use will be subject to the agreed upon terms and conditions in the contract for such product or service.

Further, for non-SKF websites / apps that are referenced in our website / app or where a hyperlink appears, SKF makes no warranties concerning the accuracy or reliability of the information in these websites / apps and assumes no responsibility for material created or published by third parties contained therein. In addition, SKF does not warrant that this website / app or these other linked websites / apps are free from viruses or other harmful elements.

Third Party Services

When viewing YouTube content via the SKF website(s) (i.e. using [YouTube API Services](#)), you agree to be bound by the [YouTube Terms of Service](#).

Copyright

Copyright in this website / app copyright of the information and software made available on this website / app rest with SKF or its licensors. All rights are reserved. All licensed material will reference the licensor that has granted SKF the right to use the material. The information and software made available on this website / app may not be reproduced, duplicated, copied, transferred, distributed, stored, modified, downloaded or otherwise exploited for any commercial use without the prior written approval of SKF. However, it may be reproduced, stored and downloaded for use by individuals without prior written approval of SKF. Under no circumstances may this information or software be supplied to third parties.

This website /app includes certain images used under license from Shutterstock, Inc.

Trademarks and Patents

All trademarks, brand names, and corporate logos displayed on the website / app are the property of SKF or its licensors, and may not be used in any way without prior written approval by SKF. All licensed trademarks published on this website / app reference the licensor that has granted SKF the right to use the trademark. Access to this website / app does not grant to the user any license under any patents owned by or licensed to SKF.

Changes

SKF reserves the right to make changes or additions to this website / app at any time.