



## GPS ACTIVE ANTENNA RRDM-PB0-4625-1M-G-002



### ■ SPECIFICATION

#### 1. ANTENNA

PARAMETERS	VALUE
Frequency Range	1575.420 MHz $\pm$ 1.023 MHz
VSWR, max	2.0
Bandwidth, min	10 MHz
Input Impedance	50 $\Omega$
Gain (based on 70x70mm GND plane)	4.5 dBic
Polarization	RHCP

#### 2. LNA

PARAMETERS	VALUE	
Frequency Range	1575.420 MHz $\pm$ 1.023 MHz	
Module Stage Line-up	Ant – Fi11 – LNA – Fi12	
Filter	2 pcs integrated band pass filters	
DC Voltage	3.0 ~ 5.0 V	
Gain	16 dB $\pm$ 2 dB	
Outband Rejection, min	F <sub>o</sub> + 50MHz	60 dB
	F <sub>o</sub> - 50MHz	60 dB
VSWR, max	2.0	
Noise Figure, max	2.0 dB	
DC Current at 3V	6 mA $\pm$ 2 mA	

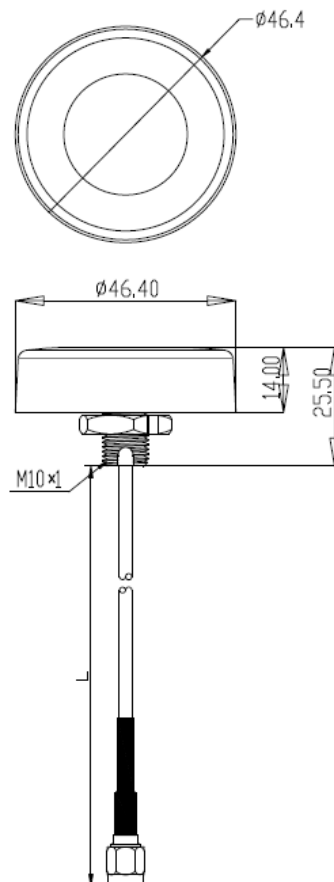


## GPS ACTIVE ANTENNA RRDM-PB0-4625-1M-G-002

### 3. Overall (complete module, including RF connector)

PARAMETERS	VALUE
Frequency Range	1575.420 MHz $\pm$ 1.023 MHz
VSWR, max	2.0
Impedance	50 $\Omega$
RF Connector	SMA Male
Cable	RG 174
Operating Temperature Range	-40 °C ~ +85 °C
Storage Temperature Range	-40 °C ~ +85 °C
Waterproof Grade	IP67

#### MECHANICAL SPECIFICATION

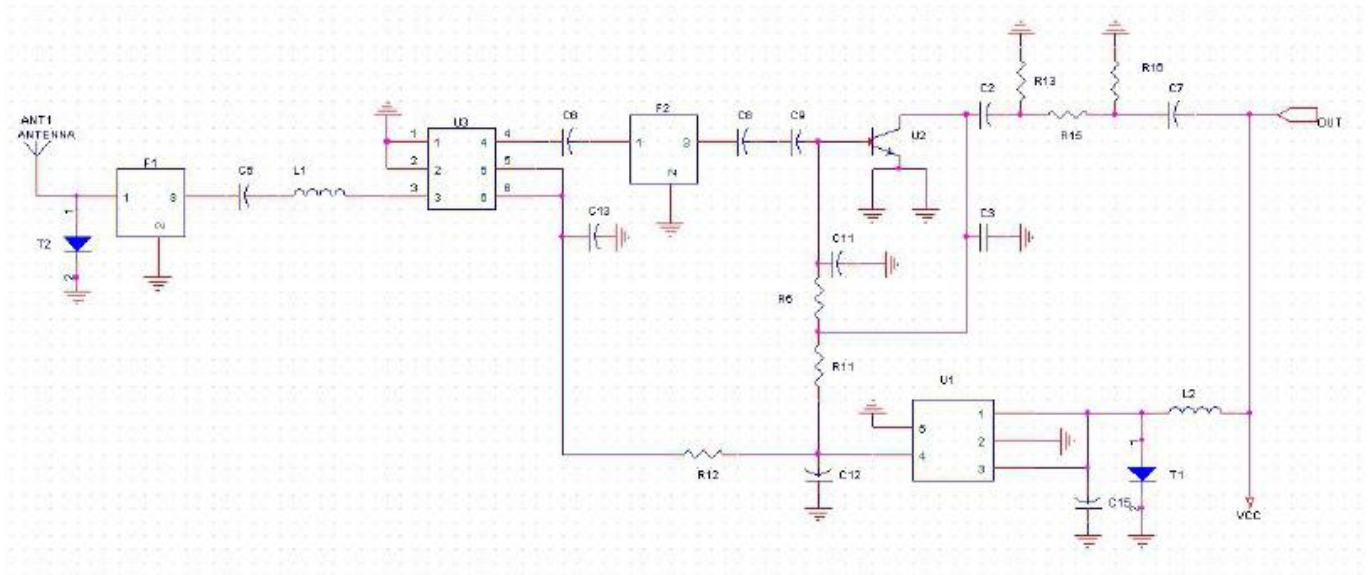


L = 711  $\pm$  30mm



# GPS ACTIVE ANTENNA RRDM-PB0-4625-1M-G-002

## ■ SCHEMATIC DIAGRAM





# GPS ACTIVE ANTENNA RRDM-PB0-4625-1M-G-002

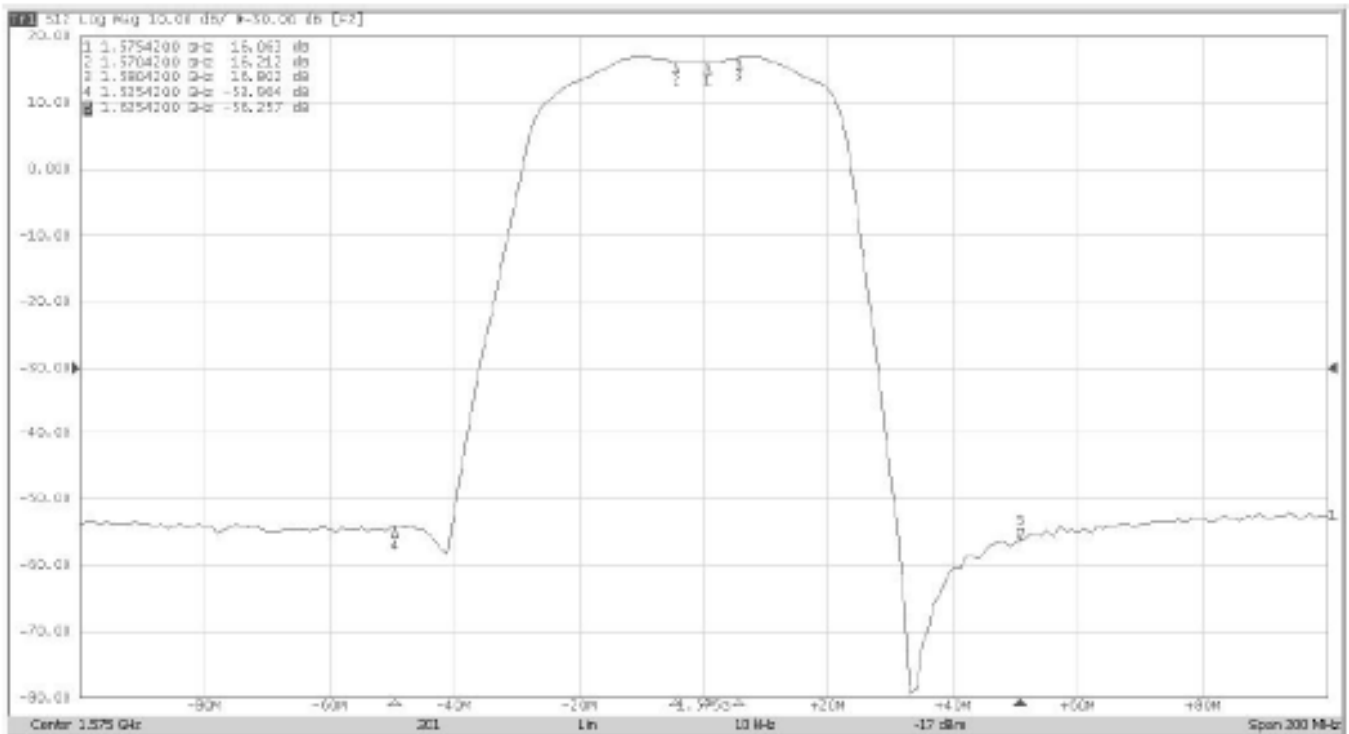
## FREQUENCY CHARACTERISTICS





# GPS ACTIVE ANTENNA RRDM-PB0-4625-1M-G-002

## LNA TEST CURVE (3V)



## ■ APPROVAL

RS PRO	
DRAWN BY:	AR, June 1, 2018
APPROVED BY:	CP, June 1, 2018
REVISION:	A, Initial Release