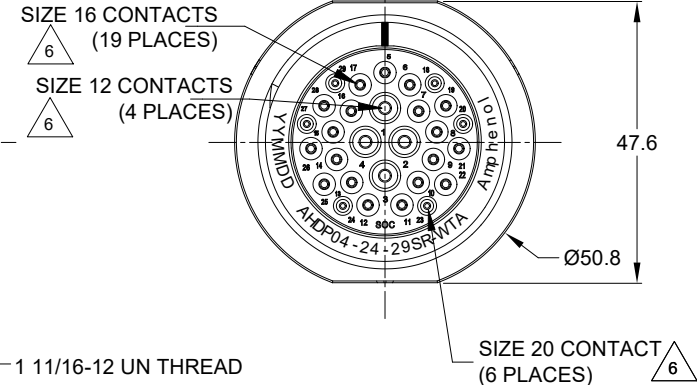
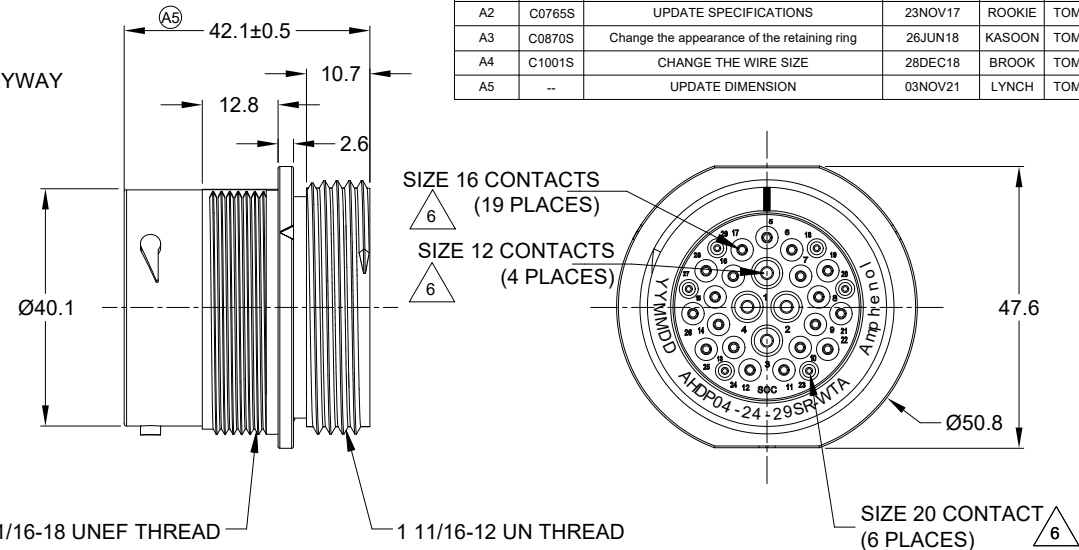
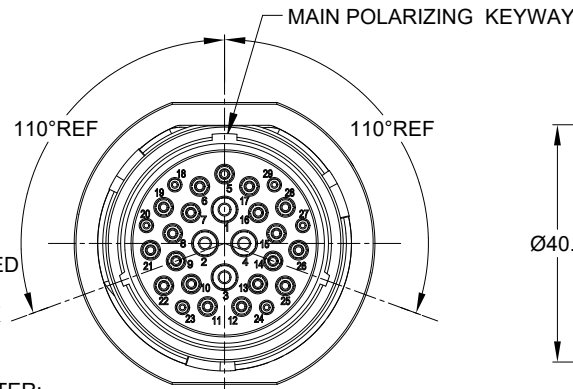


| REVISIONS |        |   |         |        |       |
|-----------|--------|---|---------|--------|-------|
| REV       | ECO    | DESCRIPTION                                 | DATE    | BY     | APPR  |
| A1        |        | RELEASE NEW DRAWING                         | 13NOV15 | SULLEN | TOMMY |
| A2        | C0765S | UPDATE SPECIFICATIONS                       | 23NOV17 | ROOKIE | TOMMY |
| A3        | C0870S | Change the appearance of the retaining ring | 26JUN18 | KASOON | TOMMY |
| A4        | C1001S | CHANGE THE WIRE SIZE                        | 28DEC18 | BROOK  | TOMMY |
| A5        | --     | UPDATE DIMENSION                            | 03NOV21 | LYNCH  | TOMMY |



NOTES: UNLESS OTHERWISE SPECIFIED

1. MATERIAL:

HOUSING: THERMOPLASTIC; BLACK  
SEAL: SILICONE RUBBER

2. MODIFICATIONS: THREADED ADAPTER;  
REDUCED DIA. WIRE SEAL

3. SPECIFICATIONS:

- 3.1 OPERATING TEMPERATURE: -55°C TO +125°C.
- 3.2 DIELECTRIC WITHSTANDING VOLTAGE: LESS THAN 2 MILLIAMPS CURRENT LEAKAGE @ 1500 VOLTS AC.
- 3.3 INSULATION RESISTANCE: 1000 MEGOHM MIN @ 25°C.
- 3.4 MOISTURE RESISTANCE:  
IP68(IM OF WATER FOR A PERIOD OF 24 HOURS, MATED CONDITION);  
IP69K(MATED CONDITION)
- 3.5 MATING CYCLE DURABILITY: 100 CYCLES
- 3.6 RoHS COMPLIANT

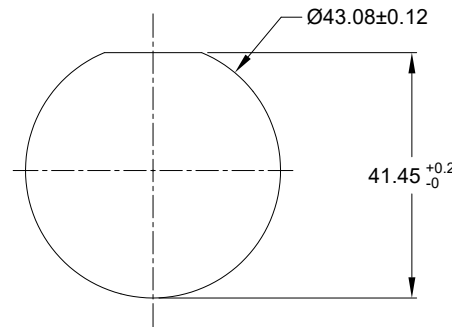
4. MATING PART: AHDP06-24-29P\* (\* = SEAL TYPE)

5. ALL DIMENSIONS ARE FOR REFERENCE USE ONLY.

6 CONTACT SIZE AND WIRE RANGE:

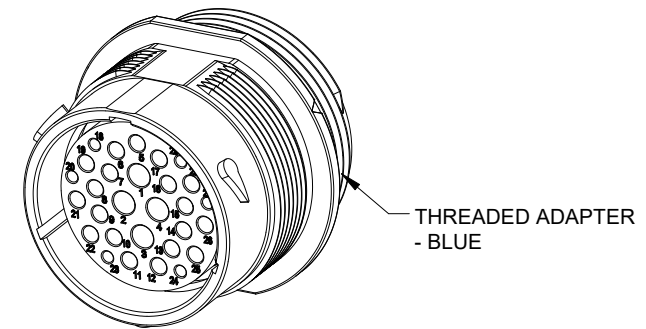
| CONTACT SIZE | MIN. INSUL O.D.   | MAX. INSUL O.D.   | TYPICAL WIRE RANGE                   | CURRENT RATING |
|--------------|-------------------|-------------------|--------------------------------------|----------------|
| 12           | 2.46 mm (.097 in) | 4.01 mm (.158 in) | 10-14 AWG (6.0-2.0mm <sup>2</sup> )  | 25 AMPS        |
| 16           | 1.35 mm (.053in)  | 2.62 mm (.103 in) | 14-20 AWG (2.0-0.5mm <sup>2</sup> )  | 13 AMPS        |
| 20           | 1.02 mm (.040in)  | 2.10 mm (.083 in) | 16-22 AWG (1.5-0.35mm <sup>2</sup> ) | 7.5 AMPS       |

7.RECEPTACLE IS SUPPLIED WITH DUST CAP.



RECOMMENDED PANEL MOUNTING HOLE

RECOMMENDED PANEL THICKNESS:1.6 TO 4.7MM



THREADED ADAPTER - BLUE

| QUANTITY                             | AHDP04-24-29SR-WTA | DESCRIPTION  | ITEM    |
|--------------------------------------|--------------------|--|---------|
|                                      |                    |  |         |
| <b>MATERIALS LIST</b>                |                    |  |         |
| UNLESS OTHERWISE SPECIFIED           |                    | SIGNATURES DATE  |         |
| 1) All dimensions are in metric(mm). |                    | DRAWN: LYNCH   | 03NOV21 |
| 2) Tolerances are as follows:        |                    | CHECKED: SULLEN  | 03NOV21 |
| 1 PL DEC ±0.30                       |                    | ENGINEER:  |         |
| 2 PL DEC ±0.15                       |                    | APPROVAL: TOMMY  | 05NOV21 |
| 3 PL DEC ±0.08                       |                    | CUSTOMER:  |         |
| 3) Note reference =                  |                    |  |         |
| MATERIAL SPECIFICATIONS:             |                    | THIS DRAWING IS SUPPLIED FOR INFORMATION ONLY. DESIGN FEATURES, SPECIFICATIONS AND PERFORMANCE DATA SHOWN HEREON ARE THE PROPERTY OF THE AMPHENOL CORPORATION. NO RIGHTS OF REPRODUCTION ARE IMPLIED. ALL DIMENSIONS ARE SUBJECT TO NORMAL MANUFACTURING VARIATIONS. |         |
| WEIGHT:51.85G                        |                    | SINE SYSTEMS - www.amphenol-sine.com<br>44724 Morley Drive<br>Clinton Township, MI 48036   |         |
| PROCESS SPECIFICATIONS:              |                    | RECEP.,24-29 POS. SOCKET CONTACT REDUCED DIA. SEAL, AHDP SERIES  |         |
| NEXT ASSY:                           |                    | SIZE TYPE DWG NO. REVISION<br>B C- AHDP04-24-29SR-WTA A5   |         |
|                                      |                    | SCALE: NONE SHEET 1 OF 1   |         |

TITLE: RECP.,24-29 POS. SOCKET CONT. REDUCED DIA. SEAL, AHDP DWG NO: AHDP04-24-29SR-WTA REV: A5 SH: 1 OF: 1

# AHD, ARB, ATP, ATHD, DuraMate™ and PanelMate™ Series

## Size 12 Contact & Tooling Options

### Contacts - Machined

| Part Number        | Type   | Style    | Contact Size | Amp | Wire Range (AWG) | Wire Range (mm <sup>2</sup> ) | Insulation OD (mm) | Plating       | Reel Size | Packaging |
|--------------------|--------|----------|--------------|-----|------------------|-------------------------------|--------------------|---------------|-----------|-----------|
| AT60-204-12141-10  | Pin    | Machined | Size 12      | 25A | 10-12AWG         | -                             | -                  | Nickel-Plated | -         | -         |
| AT60-204-12141     | Pin    | Machined | Size 12      | 25A | 12-14AWG         | -                             | -                  | Nickel-Plated | -         | -         |
| AT60-220-1231      | Pin    | Machined | Size 12      | 25A | 12-14AWG         | -                             | -                  | Gold-Plated   | -         | -         |
| AT60-204-12NKIT    | Pin    | Machined | Size 12      | 25A | 12-14AWG         | -                             | -                  | Nickel-Plated | -         | -         |
| AT60-220-1231-1618 | Pin    | Machined | Size 12      | 25A | 16-18AWG         | -                             | -                  | Gold-Plated   | -         | -         |
| AT60-220-1231-1820 | Pin    | Machined | Size 12      | 25A | 18-20AWG         | -                             | -                  | Gold-Plated   | -         | -         |
| AT62-203-12141-10  | Socket | Machined | Size 12      | 25A | 10-12AWG         | -                             | -                  | Nickel-Plated | -         | -         |
| AT62-203-12141     | Socket | Machined | Size 12      | 25A | 12-14AWG         | -                             | -                  | Nickel-Plated | -         | -         |
| AT62-203-12NKIT    | Socket | Machined | Size 12      | 25A | 12-14AWG         | -                             | -                  | Nickel-Plated | -         | -         |
| AT62-210-1231      | Socket | Machined | Size 12      | 25A | 12-14AWG         | -                             | -                  | Gold-Plated   | -         | -         |
| AT62-210-1231-1618 | Socket | Machined | Size 12      | 25A | 16-18AWG         | -                             | -                  | Gold-Plated   | -         | -         |
| AT62-210-1231-1820 | Socket | Machined | Size 12      | 25A | 18-20AWG         | -                             | -                  | Gold-Plated   | -         | -         |

### Contacts - Stamped & Formed

|                 |        |     |         |     |          |                        |               |               |   |             |
|-----------------|--------|-----|---------|-----|----------|------------------------|---------------|---------------|---|-------------|
| AT60-12-0222    | Pin    | S&F | Size 12 | 25A | 10-12AWG | 6.0-4.0mm <sup>2</sup> | 3.56 - 5.18mm | Nickel-Plated | - | -           |
| AT60-12-0222-LP | Pin    | S&F | Size 12 | 25A | 10-12AWG | 6.0-4.0mm <sup>2</sup> | 3.56 - 5.18mm | Nickel-Plated | - | Loose Piece |
| AT60-12-0244    | Pin    | S&F | Size 12 | 25A | 10-12AWG | 6.0-4.0mm <sup>2</sup> | 3.56 - 5.18mm | Gold-Plated   | - | -           |
| AT60-12-0244-LP | Pin    | S&F | Size 12 | 25A | 10-12AWG | 6.0-4.0mm <sup>2</sup> | 3.56 - 5.18mm | Gold-Plated   | - | Loose Piece |
| AT60-12-0144    | Pin    | S&F | Size 12 | 25A | 12-14AWG | 4.0-2.0mm <sup>2</sup> | 2.87 - 4.47mm | Gold-Plated   | - | -           |
| AT60-12-0144-LP | Pin    | S&F | Size 12 | 25A | 12-14AWG | 4.0-2.0mm <sup>2</sup> | 2.87 - 4.47mm | Gold-Plated   | - | Loose Piece |
| AT60-12-0166    | Pin    | S&F | Size 12 | 25A | 12-14AWG | 4.0-2.0mm <sup>2</sup> | 2.87 - 4.47mm | Nickel-Plated | - | -           |
| AT60-12-0166-LP | Pin    | S&F | Size 12 | 25A | 12-14AWG | 4.0-2.0mm <sup>2</sup> | 2.87 - 4.47mm | Nickel-Plated | - | Loose Piece |
| AT62-12-0222    | Socket | S&F | Size 12 | 25A | 10-12AWG | 6.0-4.0mm <sup>2</sup> | 3.56 - 5.18mm | Nickel-Plated | - | -           |
| AT62-12-0222-LP | Socket | S&F | Size 12 | 25A | 10-12AWG | 6.0-4.0mm <sup>2</sup> | 3.56 - 5.18mm | Nickel-Plated | - | Loose Piece |
| AT62-12-0244    | Socket | S&F | Size 12 | 25A | 10-12AWG | 6.0-4.0mm <sup>2</sup> | 3.56 - 5.18mm | Gold-Plated   | - | -           |
| AT62-12-0244-LP | Socket | S&F | Size 12 | 25A | 10-12AWG | 6.0-4.0mm <sup>2</sup> | 3.56 - 5.18mm | Gold-Plated   | - | Loose Piece |
| AT62-12-0144    | Socket | S&F | Size 12 | 25A | 12-14AWG | 4.0-2.0mm <sup>2</sup> | 2.87 - 4.47mm | Gold-Plated   | - | -           |
| AT62-12-0144-LP | Socket | S&F | Size 12 | 25A | 12-14AWG | 4.0-2.0mm <sup>2</sup> | 2.87 - 4.47mm | Gold-Plated   | - | Loose Piece |
| AT62-12-0166    | Socket | S&F | Size 12 | 25A | 12-14AWG | 4.0-2.0mm <sup>2</sup> | 2.87 - 4.47mm | Nickel-Plated | - | -           |
| AT62-12-0166-LP | Socket | S&F | Size 12 | 25A | 12-14AWG | 4.0-2.0mm <sup>2</sup> | 2.87 - 4.47mm | Nickel-Plated | - | Loose Piece |

### Tooling

| Part Number | Tool Name                                      | Style    | Contact Size  | Wire Range (AWG) | Material | Color |
|-------------|--|----------|---------------|------------------|----------|-------|
| MXF-3966    | Contact Locator for Hand Crimp Tool M300-25A   | Machined | Size 12       | 10AWG            | -        | -     |
| AUTK-12     | Hand Crimp Tool                                | Machined | Size 12       | 10-18AWG         | -        | -     |
| M300-25A    | Hand Crimp Tool w MXF-3966 Locator             | Machined | Size 12       | 10-18AWG         | -        | -     |
| CA-5E12     | Pneumatic Crimp Tool                           | Machined | Size 12/16/20 | 12-26AWG         | -        | -     |
| CA-5D12     | Universal Hand Crimp Tool                      | Machined | Size 12/16/20 | 12-26AWG         | -        | -     |
| AUTK-100    | Universal Heavy Duty Contact Crimping Tool Kit | Machined | Size 12/16/20 | 12-26AWG         | -        | -     |

# AHD, ARB, ATP, ATHD, DuraMate™ and PanelMate™ Series

## Size 12 Contact & Tooling Options, cont.

Tooling, cont.

| Part Number     | Tool Name                             | Style     | Contact Size | Wire Range (AWG) | Material      | Color  |
|-----------------|---------------------------------------|-----------|--------------|------------------|---------------|--------|
| MFX-3973-G or K | Crimp Die Press Applicator            | S&F       | Size 12      | 12AWG            | -             | -      |
| MFX-3985-G or K | Crimp Die Press Applicator            | S&F       | Size 12      | 10-12AWG         | -             | -      |
| ATT-12-00       | Hand Crimp Tool                       | S&F       | Size 12      | 12-14AWG         | -             | -      |
| ATT-12-01       | Hand Crimp Tool                       | S&F       | Size 12      | 10AWG            | -             | -      |
| ATRT-100        | Contact and Wedgelock Extraction Tool | Universal | Universal    | -                | Steel         | Silver |
| AT11-337-1205   | Contact Extraction Tool               | Universal | Size 12      | -                | Plastic       | Orange |
| A114017         | Seal Plug                             | Universal | Size 12/16   | -                | Thermoplastic | White  |
|                 |                                       |           |              |                  |               |        |

# AT, ATV, AHD, ARB, ARC, DuraMate™ and PanelMate™ Series

## Size 16 Contact & Tooling Options

### Contacts - Machined

| Part Number       | Type   | Style    | Contact Size | Amp | Wire Range (AWG) | Wire Range (mm <sup>2</sup> ) | Insulation OD (mm) | Plating       | Reel Size | Packaging |
|-------------------|--------|----------|--------------|-----|------------------|-------------------------------|--------------------|---------------|-----------|-----------|
| AT60-215-16141    | Pin    | Machined | Size 16      | 13A | 14AWG            | -                             | -                  | Nickel-Plated | -         | -         |
| AT60-215-1631     | Pin    | Machined | Size 16      | 13A | 14AWG            | -                             | -                  | Gold-Plated   | -         | -         |
| AT60-202-16NKIT   | Pin    | Machined | Size 16      | 13A | 16-20AWG         | -                             | -                  | Nickel-Plated | -         | -         |
| AT60-202-16141    | Pin    | Machined | Size 16      | 13A | 16-20AWG         | -                             | -                  | Nickel-Plated | -         | -         |
| AT60-202-1631     | Pin    | Machined | Size 16      | 13A | 16-20AWG         | -                             | -                  | Gold-Plated   | -         | -         |
| AT60-202-16141-22 | Pin    | Machined | Size 16      | 13A | 22-24AWG         | -                             | -                  | Nickel-Plated | -         | -         |
| AT60-202-1631-22  | Pin    | Machined | Size 16      | 13A | 22-24AWG         | -                             | -                  | Gold-Plated   | -         | -         |
| AT62-209-16141    | Socket | Machined | Size 16      | 13A | 14AWG            | -                             | -                  | Nickel-Plated | -         | -         |
| AT62-209-1631     | Socket | Machined | Size 16      | 13A | 14AWG            | -                             | -                  | Gold-Plated   | -         | -         |
| AT62-201-16NKIT   | Socket | Machined | Size 16      | 13A | 16-20AWG         | -                             | -                  | Nickel-Plated | -         | -         |
| AT62-201-16141    | Socket | Machined | Size 16      | 13A | 16-20AWG         | -                             | -                  | Nickel-Plated | -         | -         |
| AT62-201-1631     | Socket | Machined | Size 16      | 13A | 16-20AWG         | -                             | -                  | Gold-Plated   | -         | -         |
| AT62-201-16141-22 | Socket | Machined | Size 16      | 13A | 22-24AWG         | -                             | -                  | Nickel-Plated | -         | -         |
| AT62-201-1631-22  | Socket | Machined | Size 16      | 13A | 22-24AWG         | -                             | -                  | Gold-Plated   | -         | -         |

### Contacts - Stamped & Formed

|                 |        |     |         |     |          |                         |               |               |       |             |
|-----------------|--------|-----|---------|-----|----------|-------------------------|---------------|---------------|-------|-------------|
| AT60-14-0122    | Pin    | S&F | Size 16 | 13A | 14-18AWG | 2.0-0.75mm <sup>2</sup> | 2.40 - 3.81mm | Nickel-Plated | -     | -           |
| AT60-14-0122-LP | Pin    | S&F | Size 16 | 13A | 14-18AWG | 2.0-0.75mm <sup>2</sup> | 2.40 - 3.81mm | Nickel-Plated | -     | Loose Piece |
| AT60-14-0144    | Pin    | S&F | Size 16 | 13A | 14-18AWG | 2.0-0.75mm <sup>2</sup> | 2.40 - 3.81mm | Gold-Plated   | -     | -           |
| AT60-14-0144-LP | Pin    | S&F | Size 16 | 13A | 14-18AWG | 2.0-0.75mm <sup>2</sup> | 2.40 - 3.81mm | Gold-Plated   | -     | Loose Piece |
| AT60-16-0122    | Pin    | S&F | Size 16 | 13A | 16-18AWG | 1.5-0.75mm <sup>2</sup> | 1.91 - 3.55mm | Nickel-Plated | -     | -           |
| AT60-16-0122-LP | Pin    | S&F | Size 16 | 13A | 16-18AWG | 1.5-0.75mm <sup>2</sup> | 1.91 - 3.55mm | Nickel-Plated | -     | Loose Piece |
| AT60-16-0144    | Pin    | S&F | Size 16 | 13A | 16-18AWG | 1.5-0.75mm <sup>2</sup> | 1.91 - 3.55mm | Gold-Plated   | -     | -           |
| AT60-16-0144-LP | Pin    | S&F | Size 16 | 13A | 16-18AWG | 1.5-0.75mm <sup>2</sup> | 1.91 - 3.55mm | Gold-Plated   | -     | Loose Piece |
| AT60-16-0622    | Pin    | S&F | Size 16 | 13A | 16-20AWG | 1.0-0.5mm <sup>2</sup>  | 1.40 - 2.54mm | Nickel-Plated | -     | -           |
| AT60-16-0622-LP | Pin    | S&F | Size 16 | 13A | 16-20AWG | 1.0-0.5mm <sup>2</sup>  | 1.40 - 2.54mm | Nickel-Plated | -     | Loose Piece |
| AT60-16-0644    | Pin    | S&F | Size 16 | 13A | 16-20AWG | 1.0-0.5mm <sup>2</sup>  | 1.40 - 2.54mm | Gold-Plated   | -     | -           |
| AT60-16-0644-LP | Pin    | S&F | Size 16 | 13A | 16-20AWG | 1.0-0.5mm <sup>2</sup>  | 1.40 - 2.54mm | Gold-Plated   | -     | Loose Piece |
| AT60-16-0322    | Pin    | S&F | Size 16 | 13A | 20-22AWG | 0.5-0.35mm <sup>2</sup> | 1.31 - 1.50mm | Nickel-Plated | -     | -           |
| AT60-16-0344    | Pin    | S&F | Size 16 | 13A | 20-22AWG | 0.5-0.35mm <sup>2</sup> | 1.31 - 1.50mm | Gold-Plated   | -     | -           |
| AT60-16-0377    | Pin    | S&F | Size 16 | 13A | 20-22AWG | 0.5-0.35mm <sup>2</sup> | 1.31 - 1.50mm | Tin-Plated    | -     | -           |
| AT60-16-0822    | Pin    | S&F | Size 16 | 13A | 20-22AWG | 0.5-0.35mm <sup>2</sup> | 1.31 - 1.50mm | Nickel-Plated | 4,000 | -           |
| AT60-16-0844    | Pin    | S&F | Size 16 | 13A | 20-22AWG | 0.5-0.35mm <sup>2</sup> | 1.31 - 1.50mm | Gold-Plated   | 4,000 | -           |
| AT62-14-0122    | Socket | S&F | Size 16 | 13A | 14-18AWG | 2.0-0.75mm <sup>2</sup> | 2.40 - 3.81mm | Nickel-Plated | -     | -           |
| AT62-14-0122-LP | Socket | S&F | Size 16 | 13A | 14-18AWG | 2.0-0.75mm <sup>2</sup> | 2.40 - 3.81mm | Nickel-Plated | -     | Loose Piece |
| AT62-14-0144    | Socket | S&F | Size 16 | 13A | 14-18AWG | 2.0-0.75mm <sup>2</sup> | 2.40 - 3.81mm | Gold-Plated   | -     | -           |
| AT62-14-0144-LP | Socket | S&F | Size 16 | 13A | 14-18AWG | 2.0-0.75mm <sup>2</sup> | 2.40 - 3.81mm | Gold-Plated   | -     | Loose Piece |
| AT62-16-0122    | Socket | S&F | Size 16 | 13A | 16-18AWG | 1.5-0.75mm <sup>2</sup> | 1.91 - 3.55mm | Nickel-Plated | -     | -           |
| AT62-16-0122-LP | Socket | S&F | Size 16 | 13A | 16-18AWG | 1.5-0.75mm <sup>2</sup> | 1.91 - 3.55mm | Nickel-Plated | -     | Loose Piece |
| AT62-16-0144    | Socket | S&F | Size 16 | 13A | 16-18AWG | 1.5-0.75mm <sup>2</sup> | 1.91 - 3.55mm | Gold-Plated   | -     | -           |

# AT, ATV, AHD, ARB, ARC, DuraMate™ and PanelMate™ Series

## Size 16 Contact & Tooling Options, cont.

Contacts - Stamped & Formed, cont.

| Part Number     | Type   | Style | Contact Size | Amp | Wire Range (AWG) | Wire Range (mm <sup>2</sup> ) | Insulation OD (mm) | Plating       | Reel Size | Packaging   |
|-----------------|--------|-------|--------------|-----|------------------|-------------------------------|--------------------|---------------|-----------|-------------|
| AT62-16-0144-LP | Socket | S&F   | Size 16      | 13A | 16-18AWG         | 1.5-0.75mm <sup>2</sup>       | 1.91 - 3.55mm      | Gold-Plated   | -         | Loose Piece |
| AT62-16-0622    | Socket | S&F   | Size 16      | 13A | 16-20AWG         | 1.0-0.5mm <sup>2</sup>        | 1.40 - 2.54mm      | Nickel-Plated | -         | -           |
| AT62-16-0622-LP | Socket | S&F   | Size 16      | 13A | 16-20AWG         | 1.0-0.5mm <sup>2</sup>        | 1.40 - 2.54mm      | Nickel-Plated | -         | Loose Piece |
| AT62-16-0644    | Socket | S&F   | Size 16      | 13A | 18-20AWG         | 1.0-0.5mm <sup>2</sup>        | 1.40 - 2.54mm      | Gold-Plated   | -         | -           |
| AT62-16-0644-LP | Socket | S&F   | Size 16      | 13A | 18-20AWG         | 1.0-0.5mm <sup>2</sup>        | 1.40 - 2.54mm      | Gold-Plated   | -         | Loose Piece |
| AT62-16-0822    | Socket | S&F   | Size 16      | 13A | 20-22AWG         | 0.5-0.35mm <sup>2</sup>       | 1.31 - 1.50mm      | Nickel-Plated | 4,000     | -           |
| AT62-16-0844    | Socket | S&F   | Size 16      | 13A | 20-22AWG         | 0.5-0.35mm <sup>2</sup>       | 1.31 - 1.50mm      | Gold-Plated   | 4,000     | -           |

Tooling

| Part Number      | Tool Name                                      | Style     | Contact Size  | Wire Range (AWG) | Material      | Color   |
|------------------|--|-----------|---------------|------------------|---------------|---------|
| AUTK-16          | Hand Crimp Tool                                | Machined  | Size 16       | -                | -             | -       |
| AUTK-100         | Universal Heavy Duty Contact Crimping Tool Kit | Machined  | Size 12/16/20 | 12-26AWG         | -             | -       |
| CA-5D12          | Universal Hand Crimp Tool                      | Machined  | Size 12/16/20 | 12-26AWG         | -             | -       |
| CA-5E12          | Pneumatic Crimp Tool                           | Machined  | Size 12/16/20 | 12-26AWG         | -             | -       |
| MFX-3950-G or K  | Crimp Die Press Applicator                     | S&F       | Size 16       | 18-20AWG         | -             | -       |
| MFX-3953-G or K  | Crimp Die Press Applicator                     | S&F       | Size 16       | 16-18AWG         | -             | -       |
| MFX-3975-G or K  | Crimp Die Press Applicator                     | S&F       | Size 16       | 14-16AWG         | -             | -       |
| MFX-3990         | Crimp Die                                      | S&F       | Size 16       | 20-22AWG         | -             | -       |
| ATT-16-00        | Hand Crimp Tool                                | S&F       | Size 16       | 14-16AWG         | -             | -       |
| ATT-16-01        | Hand Crimp Tool                                | S&F       | Size 16       | 18-20AWG         | -             | -       |
| ATT-1612-03      | Hand Crimp Tool                                | S&F       | Size 12/16    | 20-22AWG         | -             | -       |
| ATRT-100         | Contact and Wedgelock Extraction Tool          | Universal | Universal     | -                | Steel         | Silver  |
| AT11-310-1605    | Contact Extraction Tool                        | Universal | Size 16       | -                | Plastic       | Lt Blue |
| A114017          | Seal Plug                                      | Universal | Size 12/16    | -                | Thermoplastic | White   |
| A114017-SR       | Seal Plug                                      | Universal | Size 16       | -                | Thermoplastic | Black   |
| AT13-217-1605    | Locking Seal Plug                              | Universal | Size 16       | -                | Thermoplastic | Grey    |
| AT13-217-1605-SR | Locking Seal Plug                              | Universal | Size 16       | -                | Thermoplastic | Red     |

# ATM, DuraMate™ and PanelMate™ Series

## Size 20 Contact & Tooling Options

### Contacts - Machined

| Part Number       | Type   | Style    | Contact Size | Amp  | Wire Range (AWG) | Wire Range (mm <sup>2</sup> ) | Insulation OD (mm) | Plating       | Reel Size | Packaging |
|-------------------|--------|----------|--------------|------|------------------|-------------------------------|--------------------|---------------|-----------|-----------|
| AT60-010-20141    | Pin    | Machined | Size 20      | 7.5A | 16-18AWG         | -                             | -                  | Nickel-Plated | -         | -         |
| AT60-010-2031     | Pin    | Machined | Size 20      | 7.5A | 16-18AWG         | -                             | -                  | Gold-Plated   | -         | -         |
| AT60-202-20NKIT   | Pin    | Machined | Size 20      | 7.5A | 18-22AWG         | -                             | -                  | Nickel-Plated | -         | -         |
| AT60-202-20141    | Pin    | Machined | Size 20      | 7.5A | 20-22AWG         | -                             | -                  | Nickel-Plated | -         | -         |
| AT60-202-2031     | Pin    | Machined | Size 20      | 7.5A | 20-22AWG         | -                             | -                  | Gold-Plated   | -         | -         |
| AT60-202-2031-22  | Pin    | Machined | Size 20      | 5A   | 22-26AWG         | -                             | -                  | Gold-Plated   | -         | -         |
| AT60-202-20141-22 | Pin    | Machined | Size 20      | 5A   | 22-26AWG         | -                             | -                  | Nickel-Plated | -         | -         |
| AT62-005-20141    | Socket | Machined | Size 20      | 7.5A | 16-18AWG         | -                             | -                  | Nickel-Plated | -         | -         |
| AT62-005-2031     | Socket | Machined | Size 20      | 7.5A | 16-18AWG         | -                             | -                  | Gold-Plated   | -         | -         |
| AT62-201-20NKIT   | Socket | Machined | Size 20      | 7.5A | 20-22AWG         | -                             | -                  | Nickel-Plated | -         | -         |
| AT62-201-20141    | Socket | Machined | Size 20      | 7.5A | 20-22AWG         | -                             | -                  | Nickel-Plated | -         | -         |
| AT62-201-2031     | Socket | Machined | Size 20      | 7.5A | 20-22AWG         | -                             | -                  | Gold-Plated   | -         | -         |
| AT62-20-0422      | Socket | Machined | Size 20      | 7.5A | 20-22AWG         | -                             | -                  | Nickel-Plated | -         | -         |
| AT62-20-0444      | Socket | Machined | Size 20      | 7.5A | 20-22AWG         | -                             | -                  | Gold-Plated   | -         | -         |
| AT62-201-2031-22  | Socket | Machined | Size 20      | 5A   | 22-26AWG         | -                             | -                  | Gold-Plated   | -         | -         |
| AT62-201-20141-22 | Socket | Machined | Size 20      | 5A   | 22-26AWG         | -                             | -                  | Nickel-Plated | -         | -         |
|                   |        |          |              |      |                  |                               |                    |               |           |           |

### Contacts - Stamped & Formed

|                 |        |     |         |      |          |                         |               |               |   |             |
|-----------------|--------|-----|---------|------|----------|-------------------------|---------------|---------------|---|-------------|
| AT60-20-0122    | Pin    | S&F | Size 20 | 7.5A | 16-22AWG | 1.5-0.35mm <sup>2</sup> | 1.91 - 3.15mm | Nickel-Plated | - | -           |
| AT60-20-0122-LP | Pin    | S&F | Size 20 | 7.5A | 16-22AWG | 1.5-0.35mm <sup>2</sup> | 1.91 - 3.15mm | Nickel-Plated | - | Loose Piece |
| AT60-20-0144    | Pin    | S&F | Size 20 | 7.5A | 16-22AWG | 1.5-0.35mm <sup>2</sup> | 1.91 - 3.15mm | Gold-Plated   | - | -           |
| AT60-20-0144-LP | Pin    | S&F | Size 20 | 7.5A | 16-22AWG | 1.5-0.35mm <sup>2</sup> | 1.91 - 3.15mm | Gold-Plated   | - | Loose Piece |
| AT60-20-0222    | Pin    | S&F | Size 20 | 7.5A | 16-22AWG | 1.5-0.35mm <sup>2</sup> | 1.30 - 2.16mm | Nickel-Plated | - | -           |
| AT60-20-0244    | Pin    | S&F | Size 20 | 7.5A | 16-22AWG | 1.5-0.35mm <sup>2</sup> | 1.30 - 2.16mm | Gold-Plated   | - | -           |
| AT60-20-0277    | Pin    | S&F | Size 20 | 7.5A | 16-22AWG | 1.5-0.35mm <sup>2</sup> | 1.30 - 2.16mm | Tin-Plated    | - | -           |
| AT60-20-0422    | Pin    | S&F | Size 20 | 7.5A | 20-22AWG | 0.5-0.35mm <sup>2</sup> | 1.25 - 1.8mm  | Nickel-Plated | - | -           |
| AT60-20-0444    | Pin    | S&F | Size 20 | 7.5A | 20-22AWG | 0.5-0.35mm <sup>2</sup> | 1.25 - 1.8mm  | Gold-Plated   | - | -           |
| AT62-20-0122    | Socket | S&F | Size 20 | 7.5A | 16-22AWG | 1.5-0.35mm <sup>2</sup> | 1.91 - 3.15mm | Nickel-Plated | - | -           |
| AT62-20-0122-LP | Socket | S&F | Size 20 | 7.5A | 16-22AWG | 1.5-0.35mm <sup>2</sup> | 1.91 - 3.15mm | Nickel-Plated | - | Loose Piece |
| AT62-20-0144    | Socket | S&F | Size 20 | 7.5A | 16-22AWG | 1.5-0.35mm <sup>2</sup> | 1.91 - 3.15mm | Gold-Plated   | - | -           |
| AT62-20-0144-LP | Socket | S&F | Size 20 | 7.5A | 16-22AWG | 1.5-0.35mm <sup>2</sup> | 1.91 - 3.15mm | Gold-Plated   | - | Loose Piece |
| AT62-20-0222    | Socket | S&F | Size 20 | 7.5A | 16-22AWG | 1.5-0.35mm <sup>2</sup> | 1.30 - 2.16mm | Nickel-Plated | - | -           |
| AT62-20-0244    | Socket | S&F | Size 20 | 7.5A | 16-22AWG | 1.5-0.35mm <sup>2</sup> | 1.30 - 2.16mm | Gold-Plated   | - | -           |
| AT62-20-0277    | Socket | S&F | Size 20 | 7.5A | 16-22AWG | 1.5-0.35mm <sup>2</sup> | 1.30 - 2.16mm | Tin-Plated    | - | -           |
| AT62-20-0422    | Socket | S&F | Size 20 | 7.5A | 20-22AWG | 0.5-0.35mm <sup>2</sup> | 1.25 - 1.8mm  | Nickel-Plated | - | -           |
| AT62-20-0444    | Socket | S&F | Size 20 | 7.5A | 20-22AWG | 0.5-0.35mm <sup>2</sup> | 1.25 - 1.8mm  | Gold-Plated   | - | -           |

## ATM, DuraMate™ and PanelMate™ Series Size 20 Contact & Tooling Options, cont.

### Tooling

| Part Number       | Tool Name                                      | Style     | Contact Size  | Wire Range (AWG) | Material      | Color  |
|-------------------|--|-----------|---------------|------------------|---------------|--------|
| AUTK-20           | Hand Crimp Tool                                | Machined  | Size 20       | 12-26AWG         | -             | -      |
| AUTK-100          | Universal Heavy Duty Contact Crimping Tool Kit | Machined  | Size 12/16/20 | 12-26AWG         | -             | -      |
| CA-5D12           | Universal Hand Crimp Tool                      | Machined  | Size 12/16/20 | 12-26AWG         | -             | -      |
| CA-5E12           | Pneumatic Crimp Tool                           | Machined  | Size 12/16/20 | 12-26AWG         | -             | -      |
| MFX-3974-G or K   | Crimp Die Press Applicator                     | S&F       | Size 20       | 20AWG            | -             | -      |
| MFX-3976-G or K   | Crimp Die Press Applicator                     | S&F       | Size 20       | 20-22AWG         | -             | -      |
| MFX-3978-G or K   | Crimp Die Press Applicator                     | S&F       | Size 20       | 20-22AWG         | -             | -      |
| ATT-20-00         | Hand Crimp Tool                                | S&F       | Size 20       | 16-20AWG         | -             | -      |
| ATRT-100          | Contact and Wedgelock Extraction Tool          | Universal | Universal     | -                | Steel         | Silver |
| AT11-240-2005     | Contact Extraction Tool                        | Universal | Size 20       | -                | Plastic       | Red    |
| AT13-204-2005     | Seal Plug                                      | Universal | Size 20       | -                | Thermoplastic | White  |
| AT13-204-2005-SR  | Seal Plug                                      | Universal | Size 20       | n/a              | Thermoplastic | Black  |
| ATM13-217-2005    | Locking Seal Plug                              | Universal | Size 20       | -                | Thermoplastic | Grey   |
| ATM13-217-2005-SR | Locking Seal Plug                              | Universal | Size 20       | -                | Thermoplastic | Blue   |
|                   |  |           |               |                  |               |        |