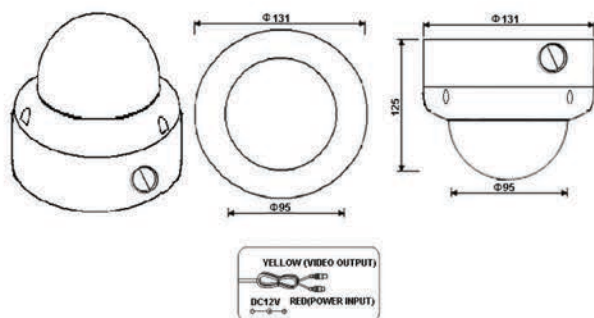


## VANDAL PROOF COLOR IR DOME CAMERA 7769365

### ► CAUTION

- Do not door or strike this equipment. Sensitive electronics inside are vulnerable to excessive shock.
  - Do not install the equipment near any naked flames or heat sources. Excessive heat could damage this unit.
  - Do not cover cloth or to install this unit in poorly ventilated places. This may lead to overheating.
  - Do not continue to operate if there appears to be fault.
- If the unit ceases to function, contact qualified service personnel for help.
- Do not touch the power connection with wet hands. Risk of short circuit or electric shock.
  - Do not damage the power cord or leave it under pressure. Risk of fire or shock circuit.



### FEATURE

- 1/3" COLOR SONY SUPER HAD II CCD
- HIGH RESOLUTION (100Φ)
- 2D -DNR(Noise Reduction)
- 700TV Line(NTSC/PAL)
- Minimum Illumination : 0.005Lux (F:1.2)
- WDR, 3D-DNR(SENS-UP)
- Auto White Balance
- Automatic Gain Control
- Dimension(mm) : 95Φ
- Power Source : DC 12.0V (6.5V ~ 28V)

SPECIFICATION			
Image Sensor		1/3" 960H SONY SUPER HAD II CCD	
Total Pixels / Effective Pixels		1020(H) x 508(V)	1020(H) x 595(V)
Sync. Type		Internal / Line lock(Optional)	
Scanning Frequency (Horizontal)		15.735KHz	15.625KHz
Scanning Frequency (Vertical)		59.94Hz	50Hz
Horizontal Resolution		700TVL(B/W)	
S/N Ratio		More than 50dB	
Video Output		CVBS 1.0Vp-p (75ohm)	
Min. Illumination		Color Mode:0.0003(Sens-up Auto,F1.2), B/W mode:0.00003(Sens-up Auto,F1.2)	
OSD (option)		OSD Control Board	
OSD	Exposure	ELC	
	White Balance	ATW(1600°K ~ 11,000°K) / AUTO / ONE PUSH / MANUAL	
	Auto Gain Control	OFF / LOW / MIDDLE / HIGH	
	Electronic Shutter	1/60 ~ 1/120,000	1/50 ~ 1/120,000
	Backlight Compensation	OFF / WDR / BLC / H5BLC	
FUNCTIONS	Sens-up	OFF / AUTO(X4) / MANUAL(X2 ... X 512)	
	Day & Night	DAY / NIGHT / AUTO	
	Digital Zoom	~ x 16	
	Privacy Zone Masking	Rectangle: 8 Areas, Circle: 4 Areas, Polygon: 2 Areas	
	Motion Detection	8 Regions	
OSD Language	3D-DNR	Level 100 Steps	
	Defog	ON / OFF	
	Digital Effect	OFF / V-Flip / Mirror / Rotate	
		English / French / German / Japanese /Chinese/Portuguese / Russian / Spanish/Portugese/Dutch/German/Polish/Turkish/Arbic/Hebrew	
		2.8-12mm Varifocal, DC IRIS + ICR	
LENS	30PCS		
IR LED	0.005%		
Smear Effect	0.005 lux (F:1.2)		
Minimum Illumination	DC 12V (6.5V ~ 28V), 350mA(IR ON)		
Power Consumption	-10°C ~ + 50°C, RH95% Max (14°F-122°F)		
Operation Temperature	-20°C ~ + 60°C, RH95% Max		
Storage Temperature	Φ95mm / ALUMINUM + PC CASE		
Dimension(mm)	Standard 600mm BNC/DC Jack		
Cable			