

PIEZO TRANSDUCER (Wire Type)

External Circuitry Type

Shape

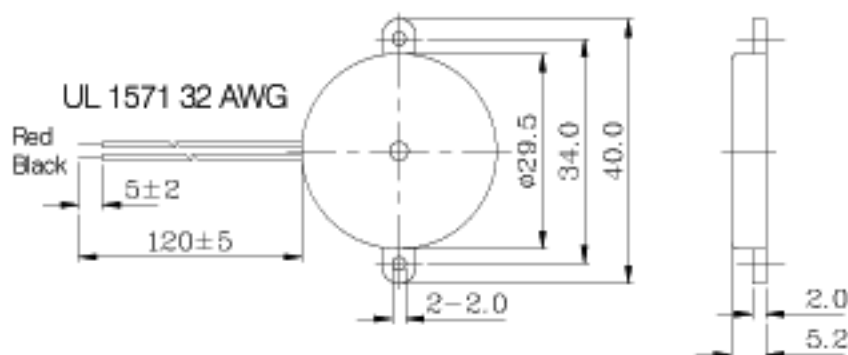
KPE-126



RoHS Compliant Available (eg.KPEG126)

Model Number	KPE-126
Rated Voltage (Vp-p)	Max. 30
Current Consumption (mA)	Max. 10@10Vp-p,Square Wave,2.8KHz
Sound Pressure Level (dB)	Min. 92dB@10cm@10Vp-p,Square Wave,2.8KHz
Electrostatic Capacity(pF)	18,000 ± 30%@1KHz@1V
Operating Temperature (°C)	-30 ~ +80
Storage Temperature (°C)	-40 ~ +80
Weight (Gram)	5.6
Material	ABS UL-94 1/16" HB (Black)

Dimension



Tol : ±0.5 Unit : mm

Characteristic

