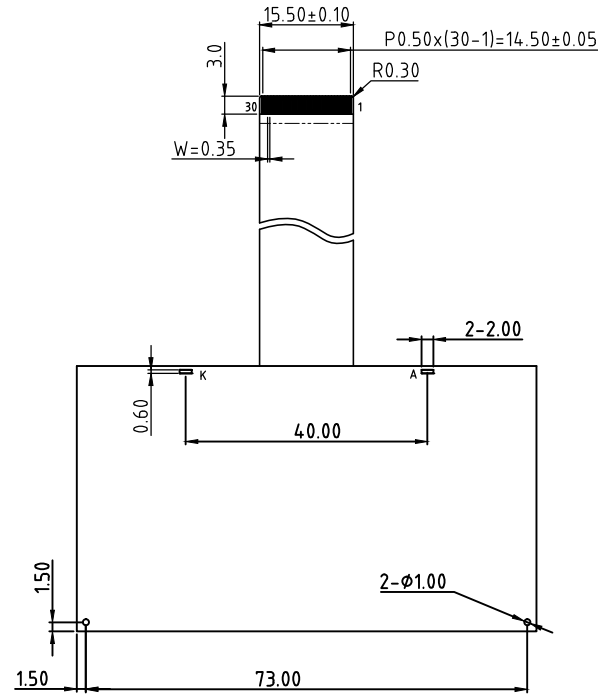
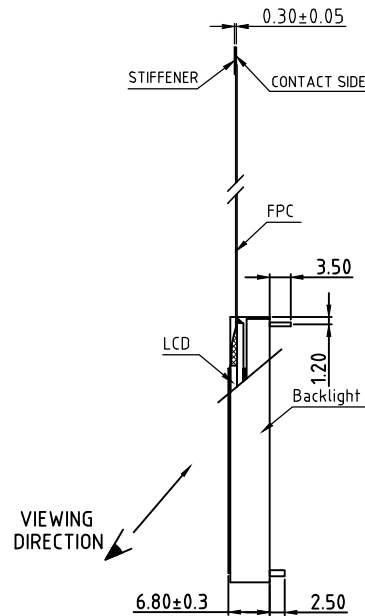
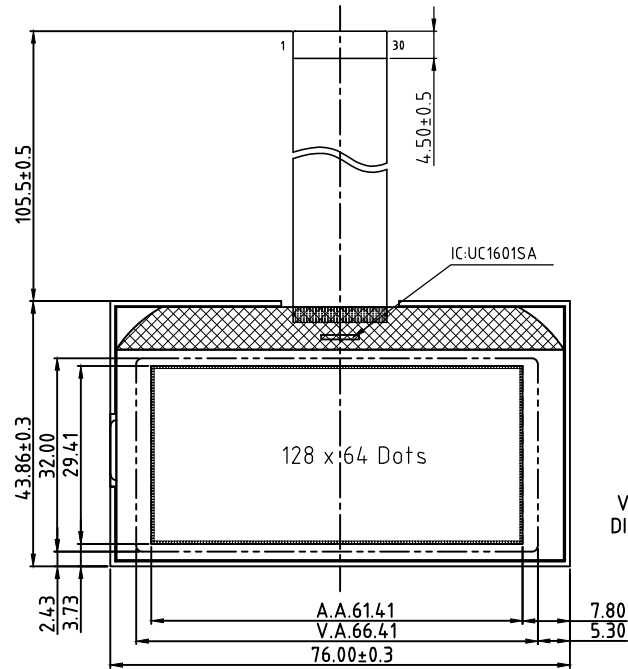


REV	Description	Date
A00	First Issue	2015-MAY-20

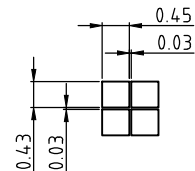


Pin Assignment:


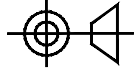
1	CS0	16	VDD
2	RST	17	VDD2
3	CD	18	VSS
4	WR0	19	VSS2
5	WR1	20	VB1+
6	D0	21	VB1+
7	D1	22	VB1-
8	D2	23	VB1-
9	D3	24	VB0-
10	D4	25	VB0-
11	D5	26	VB0+
12	D6	27	VB0+
13	D7	28	VLCD_OUT
14	BM0	29	VLCD_IN
15	BM1	30	NC

SPECIFICATIONS:

- 1) STN/+VE/Y-G/TRANSFLECTIVE MODE
- 2) 1/65 DUTY, 1/9 BIAS, VOP=10V
- 3) VIEWING ANGLE = 6 O'CLOCK
- 4) OP.TEMP.= -20°C TO +70°C  
ST.TEMP.= -30°C TO +80°C
- 5) DRIVER: UC1601S, VDD=3.3V
- 6) WITH WHITE LED BACKLIGHT, 3.3V@60mA (4 LEDS)
- 7) ROHS COMPLIANT



Dots Detail  
Scale=10:1

Description: <b>MECHANICAL SPECIFICATIONS</b>	
Scale:	 <b>TRI-T COMPANY LIMITED</b>
Sheet : 1 of 1	
Unspecified Tol. ±0.3	Unit mm
Approvals	Date
Draw:	Project Number
Check:	CI064-4021-20
Approve:	Do Not Scale This Drawing
Item Number	 Projection