

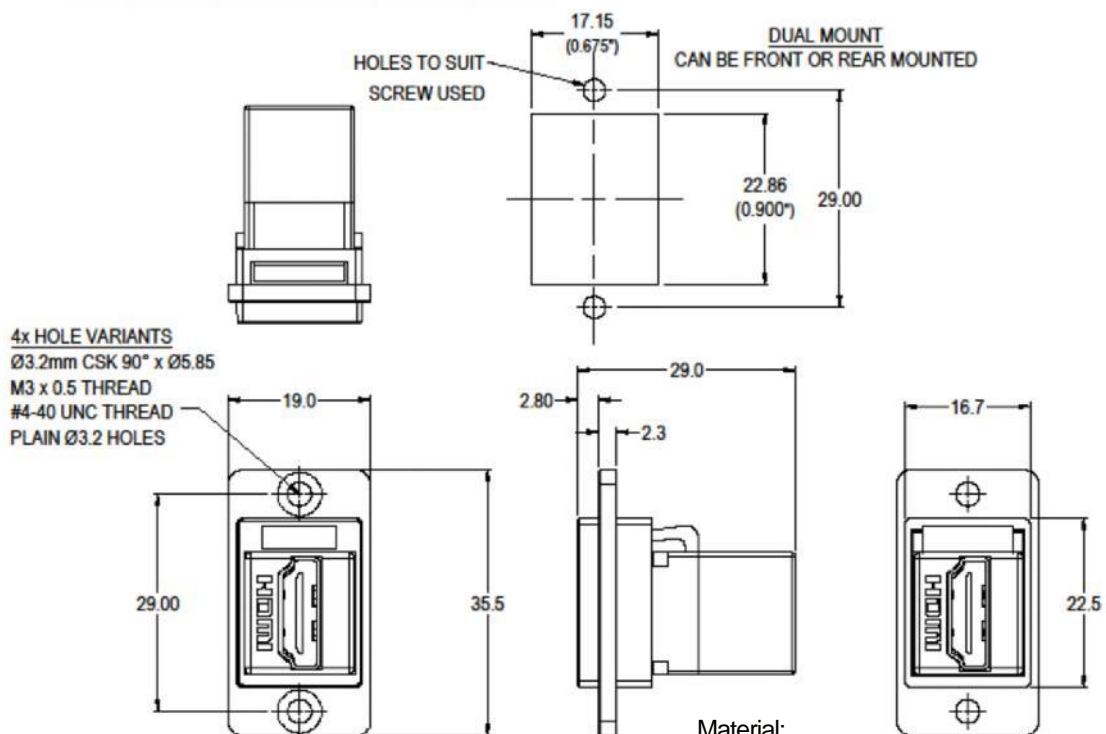


ENGLISH

## Datasheet

# RS PRO SLIM DUAL MOUNTING METAL FRAME HDMI F-F GOLD FT CONNECTOR

Stock No: 2354746, 2354747



Material:

- 1.Insert: ABS UL94 HB
- 2.Frame: Diecast, Nickel or black plated
- 3.Shell: Gold plated
- 4.Contacts: Gold Plated

[rspro.com](http://rspro.com)

### Features & Benefits:

- Fits standard rectangular cutout.
- Front or rear mounting through the panel.
- Various hole mounting options
- No soldering or punch termination. Use standard cable for each connector style.
- Low rear profile

### General:

Please note: Functionality is affected by cable quality, length and cable wiring configuration.

### Variants.

**2354746** – DUAL MOUNT FT HDMI F-F Metal frame, CSK holes

**2354747** – DUAL MOUNT FT HDMI F-F Black metal frame, CSK holes

### Applications

- Space and aviation
- Education
- Industrial
- Broadcast and A/V
- Transportation
- Medical
- Vending and gaming

