

AMP AMP Connect

MAIN MENU HELP
FAMILIES REGISTRATION

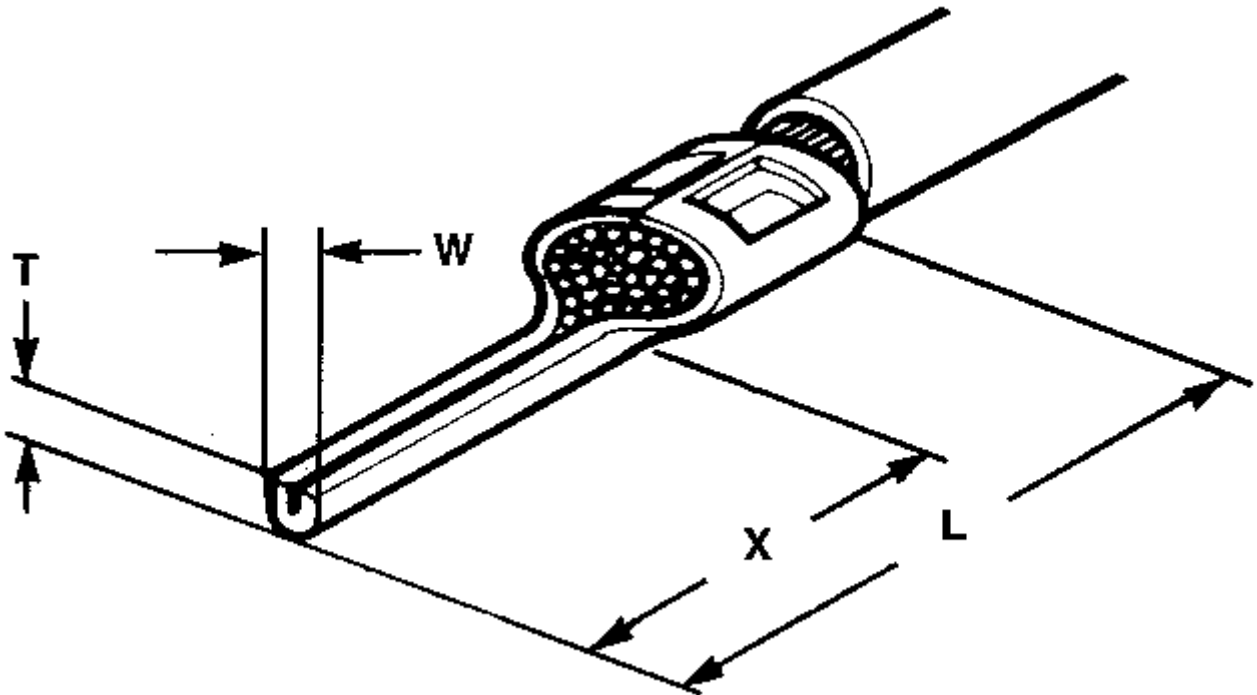
Alphabetical Picture Part Number
SEARCH SEARCH SEARCH

Go To Step Search™ Screen

165048 -- 1 of 1 products

Terminals and Splices
Miscellaneous Terminals

General **INFO**
Sales **INFO**
Customer Drawings **SPECIFICATIONS**



Line art represents typical product only.

<i>Searchable Features:</i>	
Product Type	Wire Pin
Insulation Support	No
Wire Range	12-10 [2.70-6.60 ²] AWG [mm]
Double Wire	No
<i>Other Properties:</i>	
Dim. L	.811 [20.60] in. [mm]
Dim. T	.102 [2.60] in. [mm]
Dim. W	.102 [2.60] in. [mm]
Dim. X	.390 [9.90] in. [mm]
Shape	WIRE PIN-001
Barrel Type	Closed Barrel
Receptacle Style	Straight
Insulation	No
Finish	Tin
Material	Copper
DIN Wire Size	<[2.50-6.00 ²] in. [mm]
Wire/Cable Type	Regular Wire
AMP Proprietary Name	SOLISTRAND
CERTI-CRIMP Hand Tool	49935, 525693-0 (Great Britain Tool)
CERTI-LOK Hand Tool Frame Assembly	169400
CERTI-LOK Die Assembly	169409