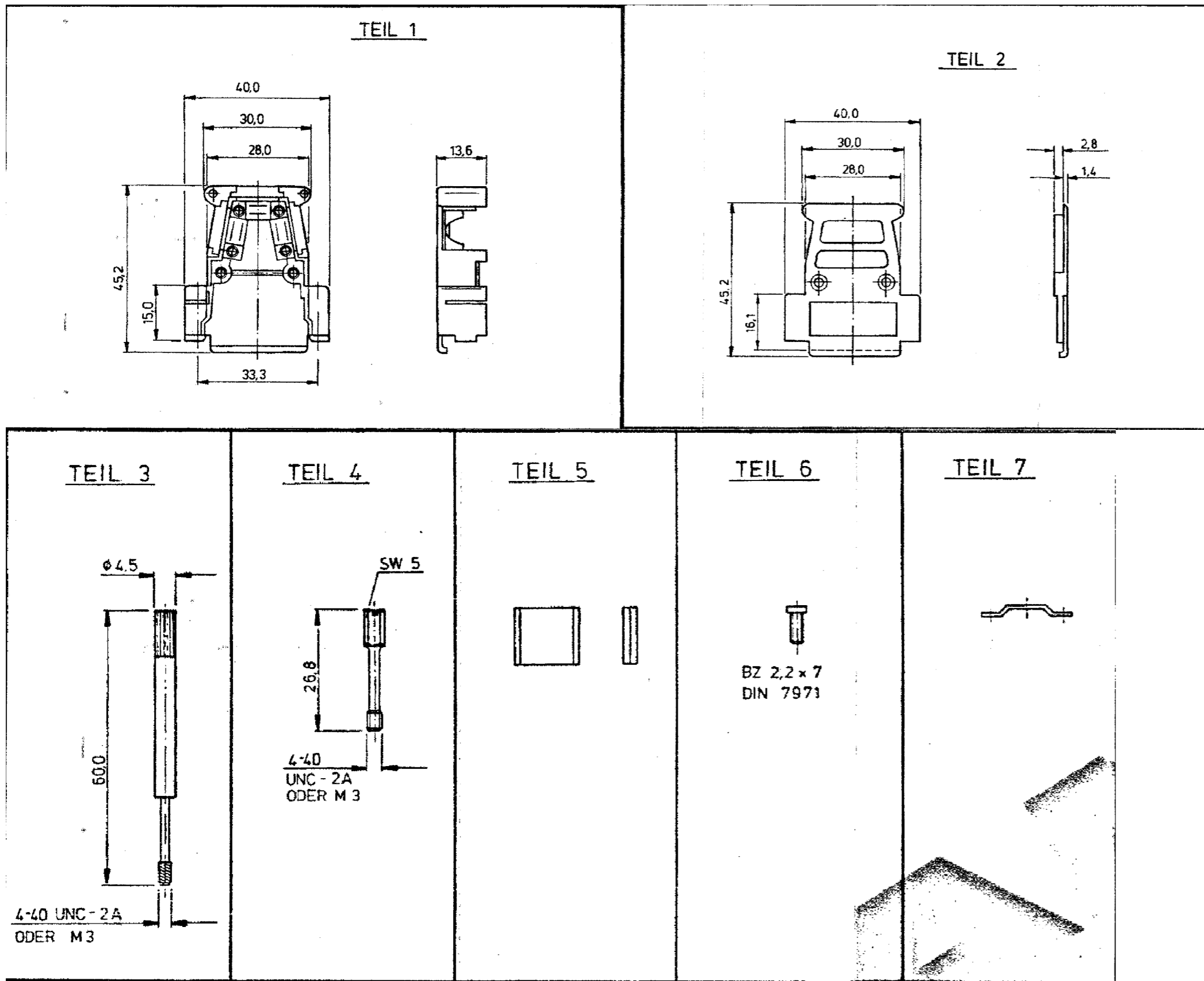


THIS DRAWING IS UNPUBLISHED. RELEASED FOR PUBLICATION
 © COPYRIGHT 1987 BY TYCO ELECTRONICS CORPORATION. ALL RIGHTS RESERVED.

| LOC | DIST | REVISIONS | | | | | |
|-----|------|-----------|-----|---------------|----------|-----|------|
| | | P | LTR | DESCRIPTION | DATE | DWN | APVD |
| H | - | C3 | | EH01-0019-01 | 04-10-01 | RF | - |
| | | D | | ECR-07-011550 | 22-08-07 | BSV | KMA |
| | | H | | ECR-08-000115 | 16-01-08 | BSV | KMA |



- ⑨ ERSETZT DURCH 1- -6
- ⑧ ERSETZT DURCH 1- -5
- ⑦ ERSETZT DURCH - 6
- ⑥ ERSETZT DURCH - 5
- ⑤ ERSETZT DURCH - 4
- ④ PPO - GV SCHWARZ
- ③ WE ①, ZUSÄTZLICH LACKIERT MIT SILBERLACK
- ② ABS - RUNDUM Ni ÜBER Cu
- ① POLYCARBONAT GEFÜLLT MIT ALUMINIUM-FLOCKEN

| MIT HEBE-SCHRAUBE LANG | | MIT HEBE-SCHRAUBE KURZ | | MIT HEBE-SCHRAUBE LANG | | MIT HEBE-SCHRAUBE KURZ | | MIT HEBE-SCHRAUBE LANG | | MIT HEBE-SCHRAUBE KURZ | | OHNE HEBESCHRAUBE | | MIT HEBE-SCHRAUBE LANG | | MIT HEBE-SCHRAUBE KURZ | | OHNE HEBESCHRAUBE | | MIT HEBE-SCHRAUBE LANG | | MIT HEBE-SCHRAUBE KURZ | | OHNE HEBESCHRAUBE | | | | | | | |
|------------------------|----|------------------------|----|------------------------|----|------------------------|----|------------------------|----|------------------------|----|-------------------|----|------------------------|----|------------------------|----|-------------------|----|------------------------|----|------------------------|----|-------------------|----|----|----|----|----|----|--|
| 2 | - | - | - | - | - | 2 | - | 2 | - | 2 | - | - | - | - | - | - | - | - | - | - | - | - | - | - | - | - | | | | | |
| 1 | 1 | 1 | 1 | 1 | 1 | 1 | 1 | 1 | 1 | 1 | 1 | 1 | 1 | 1 | 1 | 1 | 1 | 1 | 1 | 1 | 1 | 1 | 1 | 1 | 1 | 1 | | | | | |
| 2 | 4 | 4 | 4 | 4 | 4 | 4 | 4 | 4 | 4 | 4 | 4 | 4 | 4 | 4 | 4 | 4 | 4 | 4 | 4 | 4 | 4 | 4 | 4 | 4 | 4 | 4 | | | | | |
| - | - | 2 | 2 | 2 | 2 | 2 | 2 | 2 | 2 | 2 | 2 | 2 | 2 | 2 | 2 | 2 | 2 | 2 | 2 | 2 | 2 | 2 | 2 | 2 | 2 | 2 | | | | | |
| - | - | - | - | - | - | - | - | - | - | - | - | - | - | - | - | - | - | - | - | - | - | - | - | - | - | - | | | | | |
| 1 | 1 | 1 | 1 | 1 | 1 | 1 | 1 | 1 | 1 | 1 | 1 | 1 | 1 | 1 | 1 | 1 | 1 | 1 | 1 | 1 | 1 | 1 | 1 | 1 | 1 | 1 | | | | | |
| 1 | 1 | 1 | 1 | 1 | 1 | 1 | 1 | 1 | 1 | 1 | 1 | 1 | 1 | 1 | 1 | 1 | 1 | 1 | 1 | 1 | 1 | 1 | 1 | 1 | 1 | 1 | | | | | |
| 2 | -4 | -2 | -3 | 2 | -2 | 2 | -1 | 2 | -0 | 1 | -9 | 1 | -8 | 1 | -6 | 1 | -5 | 1 | -3 | 1 | -2 | -9 | -8 | -7 | -6 | -5 | -4 | -3 | -2 | -1 | |
| | | | | | | | | | | | | | | | | | | | | | | | | | | | | | | | |

| | | | | | |
|--|--|------------------|---------|--|--|
| THIS DRAWING IS A CONTROLLED DOCUMENT. | | DWN | 20NOV87 | Tyco Electronics Tyco Electronics Corporation s-HertogenBosch, Nederlands, | |
| DIMENSIONS: mm | | CHK | 07DEC87 | COVER FOR HD-20 15POLIG | |
| TOLERANCES UNLESS OTHERWISE SPECIFIED: | | APVD | - | NAME | |
| 0 PLC ± - | | PRODUCT SPEC | - | SCALE | |
| 1 PLC ± - | | APPLICATION SPEC | - | SHEET | |
| 2 PLC ± - | | WEIGHT | - | 1 of 1 | |
| 3 PLC ± - | | CUSTOMER DRAWING | - | REV | |
| 4 PLC ± - | | SCALE | NTS | H | |
| ANGLES ± - | | SIZE | A2 | CAGE CODE | |
| FINISH | | DRAWING NO | 00779 | DRAWING NO | |
| MATERIAL | | RESTRICTED TO | - | DRAWING NO | |