

JUMO GmbH & Co. KG
 Delivery address: Mackenrodtstraße 14
 36039 Fulda, Germany
 Postal address: 36035 Fulda, Germany
 Phone: +49 661 6003-0
 Fax: +49 661 6003-607
 E-mail: mail@jumo.net
 Internet: www.jumo.net

JUMO Instrument Co. Ltd.
 JUMO House
 Temple Bank, Riverway
 Harlow, Essex CM20 2DY, UK
 Phone: +44 1279 635533
 Fax: +44 1279 635262
 E-mail: sales@jumo.co.uk
 Internet: www.jumo.co.uk

JUMO Process Control, Inc.
 6733 Myers Road
 East Syracuse, NY 13057, USA
 Phone: 315-437-5866
 1-800-554-5866
 Fax: 315-437-5860
 E-mail: info.us@jumo.net
 Internet: www.jumousa.com



Bimetal Dial Thermometer

Standard version

Special features

- Class 1.5
- Display ranges -50°C to +500°C
- Steel case zinc-plated
- Case sizes Ø: 63 mm, 80 mm and 100 mm
- Protection type IP 51

Brief description

The locally displaying standard thermometers work according to the principle of a bimetal coil. The measuring principle is based on the fact that the bimetal coil is exposed to the medium temperature in a stainless steel or brass protection tube. The coil rotates as the temperature increases or falls. The rotation acts directly on the indicator via an axis. The indicator deflection is therefore proportional to the change of temperature.



Type 608001/1810

Type 608001/0110

Technical data

Basic type extension	0163, 0180, 0110, 1863, 1880, 1810
Case	Case and bezel made of galvanized steel sheet; bracket made of aluminum (design type 18)
Protection type	IP 51 according to DIN EN 60529
Front pane	Glass
Scale	Polished aluminum, with black lettering
Display	Linear, class 1.5 similar to DIN EN 13190
Time constant $t_{0.632}$	Approx. 30 s, measured in flowing water with a probe Ø of 10 mm made of stainless steel
Influential effect of the ambient temperature	No influence
Limit value temperatures	-30 to +80°C (storage and transport -30 to +80°C)
Rated position	Any

JUMO GmbH & Co. KG
 Delivery address: Mackenrodtstraße 14
 36039 Fulda, Germany
 Postal address: 36035 Fulda, Germany
 Phone: +49 661 6003-0
 Fax: +49 661 6003-607
 E-mail: mail@jumo.net
 Internet: www.jumo.net

JUMO Instrument Co. Ltd.
 JUMO House
 Temple Bank, Riverway
 Harlow, Essex CM20 2DY, UK
 Phone: +44 1279 635533
 Fax: +44 1279 635262
 E-mail: sales@jumo.co.uk
 Internet: www.jumo.co.uk

JUMO Process Control, Inc.
 6733 Myers Road
 East Syracuse, NY 13057, USA
 Phone: 315-437-5866
 1-800-554-5866
 Fax: 315-437-5860
 E-mail: info.us@jumo.net
 Internet: www.jumousa.com

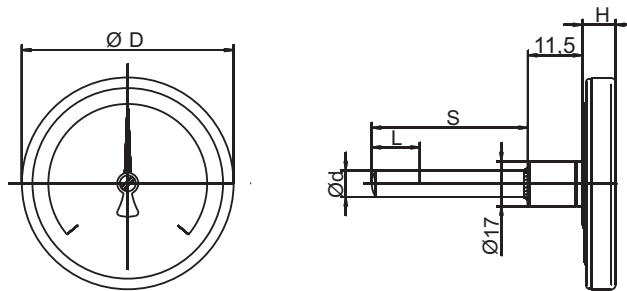


Technical data

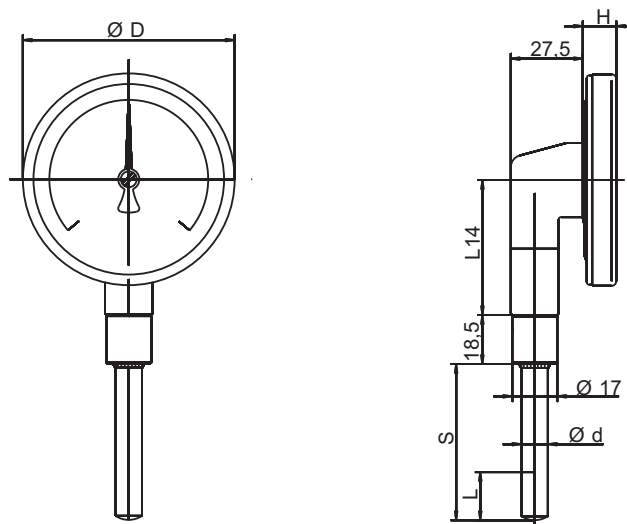
Display range (AB)	Display range in °C	Measuring range in °C	Tolerance in K (+/-)
632	-20 to +60	-10 to +60	1.5
810	0 to +80	+10 to +70	1.5
818	0 to +120	+20 to +100	3.0
826	0 to +160	+20 to +140	3.0
832	0 to +200	+20 to +180	3.0
834	0 to +250	+30 to +220	4.0
840	0 to +300	+30 to +270	8.0
854	0 to +500	+50 to +450	8.0

Dimensions

Types:
 608001/0163
 608001/0180
 608001/0110

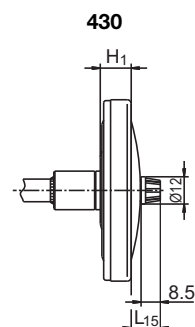


Types:
 608001/1863
 608001/1880
 608001/1810



For dimensional specifications about Ø d, see data sheet 608730.

Extra codes



Type	Ø D	H	H ₁	L ₁₄	L ₁₅
608001/0163	63	13	14	--	12
608001/1863				26	
608001/0180	83	13	14	--	13
608001/1880				51	
608001/0110	100	16	16	--	13
608001/1810				51	

JUMO GmbH & Co. KG
 Delivery address: Mackenrodtstraße 14
 36039 Fulda, Germany
 Postal address: 36035 Fulda, Germany
 Phone: +49 661 6003-0
 Fax: +49 661 6003-607
 E-mail: mail@jumo.net
 Internet: www.jumo.net

JUMO Instrument Co. Ltd.
 JUMO House
 Temple Bank, Riverway
 Harlow, Essex CM20 2DY, UK
 Phone: +44 1279 635533
 Fax: +44 1279 635262
 E-mail: sales@jumo.co.uk
 Internet: www.jumo.co.uk

JUMO Process Control, Inc.
 6733 Myers Road
 East Syracuse, NY 13057, USA
 Phone: 315-437-5866
 1-800-554-5866
 Fax: 315-437-5860
 E-mail: info.us@jumo.net
 Internet: www.jumousa.com



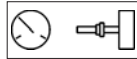
Order details

Order code (1) Basic type

Mechanical dial thermometer, standard version class 1.5

Design type 01 Case size Ø

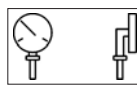
608001/0163
 608001/0180
 608001/0110



63 mm
 80 mm
 100 mm

Design type 18 Case size Ø

608001/1863
 608001/1880
 608001/1810



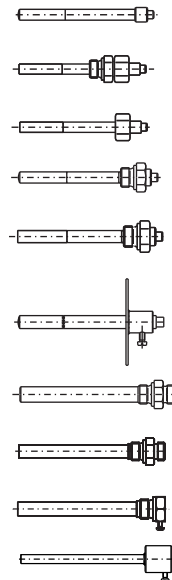
63 mm
 80 mm
 100 mm

(2) Display range (AB) in °C

632	-20 to +60
810	0 to +80
818	0 to +120
826	0 to +160
832	0 to +200
834	0 to +250
840	0 to +300
854	0 to +500

(3) Process connection (PC)

010	TA 01	Protection tube with collar
844	TA 02	Protection tube with union nut and loose screw connection ^a
845	TA 03	Protection tube with loose union nut
841	TA 04	Protection tube with fixed hexagon ^a
847	TA 06	Protection tube with displaceable threaded fitting (max. 20 bar)
018	TA 08	Protection tube with displaceable mounting plate made of zinc-plated steel and fixing screw
858	SH 04	Single-section screw-in protection tube
891	SH 05	Multi-sectional screw-in protection tube
913	SH 07	Multi-sectional screw-in protection tube with fixing screw
820	SH 09	Multi-sectional weld-in protection tube with fixing screw



^a Screw-in spigot according to DIN 3852 form A (not for NPT threads).

JUMO GmbH & Co. KG
 Delivery address: Mackenrodtstraße 14
 36039 Fulda, Germany
 Postal address: 36035 Fulda, Germany
 Phone: +49 661 6003-0
 Fax: +49 661 6003-607
 E-mail: mail@jumo.net
 Internet: www.jumo.net

JUMO Instrument Co. Ltd.
 JUMO House
 Temple Bank, Riverway
 Harlow, Essex CM20 2DY, UK
 Phone: +44 1279 635533
 Fax: +44 1279 635262
 E-mail: sales@jumo.co.uk
 Internet: www.jumo.co.uk

JUMO Process Control, Inc.
 6733 Myers Road
 East Syracuse, NY 13057, USA
 Phone: 315-437-5866
 1-800-554-5866
 Fax: 315-437-5860
 E-mail: info.us@jumo.net
 Internet: www.jumousa.com



(4) Ø Process connection (PC) ^b

- 6 6 mm
- 10 10 mm
- 12 12 mm (only with SH 05, SH 07)
- 14 14 mm (only with SH 05, SH 07, SH 09)
- 17 17 mm (only with SH 04)

(5) Thread type of process connection (PC) ^b

- 000 Without thread (only TA 01)
- 103 Screw connection G 3/8
- 104 Screw connection G 1/2
- 105 Screw connection G 3/4
- 144 Screw connection 1/2-14NPT

(6) Probe material

- 26 Stainless steel (CrNi, 1.4571)
- 46 Brass (CuZn)

(7) Material of process connection (PC) ^b

- 26 Stainless steel (CrNi, 1.4571)
- 46 Brass (CuZn)

(8) Insertion length, process connection (PC) dimension "S"

- 100 100 mm
- 150 150 mm
- 200 200 mm
- ... Special length (specifications in plain text – 50 mm increments)

(9) Extra code (TZ)

- 000 Without extra code
- 430 Drag indicator
(only with basic type extension 0163, 0180, 0110, 1863, 1880, 1810 – display range min. 100 K)
- 522 Customized scale

Special versions upon request!

^b For the description and special features, refer to data sheet 608730.

Order code (1) 608001 / - (2) - (3) - (4) - (5) - (6) - (7) - (8) / (9) , ...
Order example 608001/0163 - 818 - 845 - 10 - 104 - 96 - 46 - 100 / 000^c , ...

^c List extra codes in sequence, separated by commas.

Stock versions

Part no.	Type	Display range °C	ø / dimension "S" or "EL"
80000580	608001/0163-818-913-12-104-46-46-50/000	0 to +120	12 x 50
80000581	608001/0163-818-913-12-104-46-46-63/000	0 to +120	12 x 63
80000582	608001/0180-818-913-12-104-46-46-50/000	0 to +120	12 x 50
80000583	608001/0110-818-913-12-104-46-46-100/000	0 to +120	12 x 100
80000101	608001/0110-834-841-10-104-01-01-200/000	0 to +250	10 x 200
80000103	608001/1810-818-841-10-104-46-01-100/000	0 to +120	10 x 100

Delivery within 3 working days after receipt of order