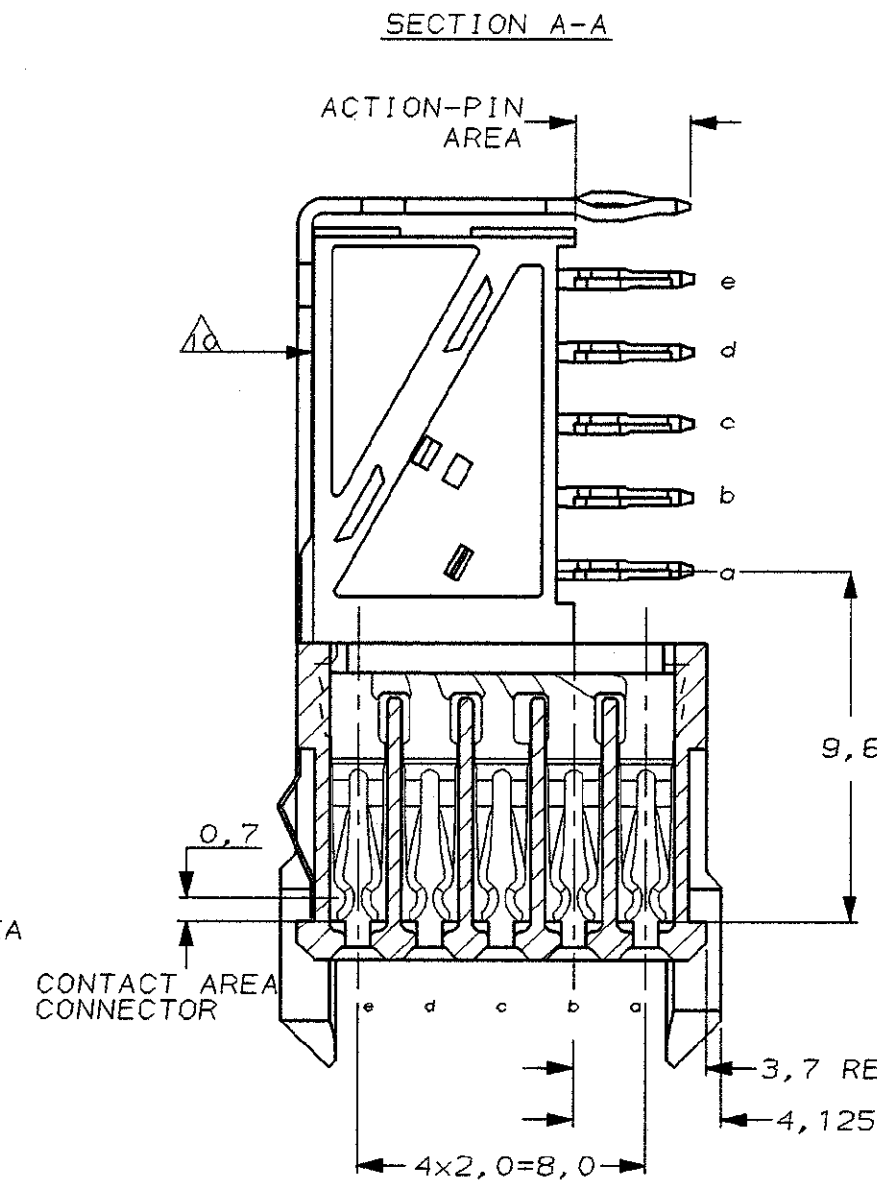
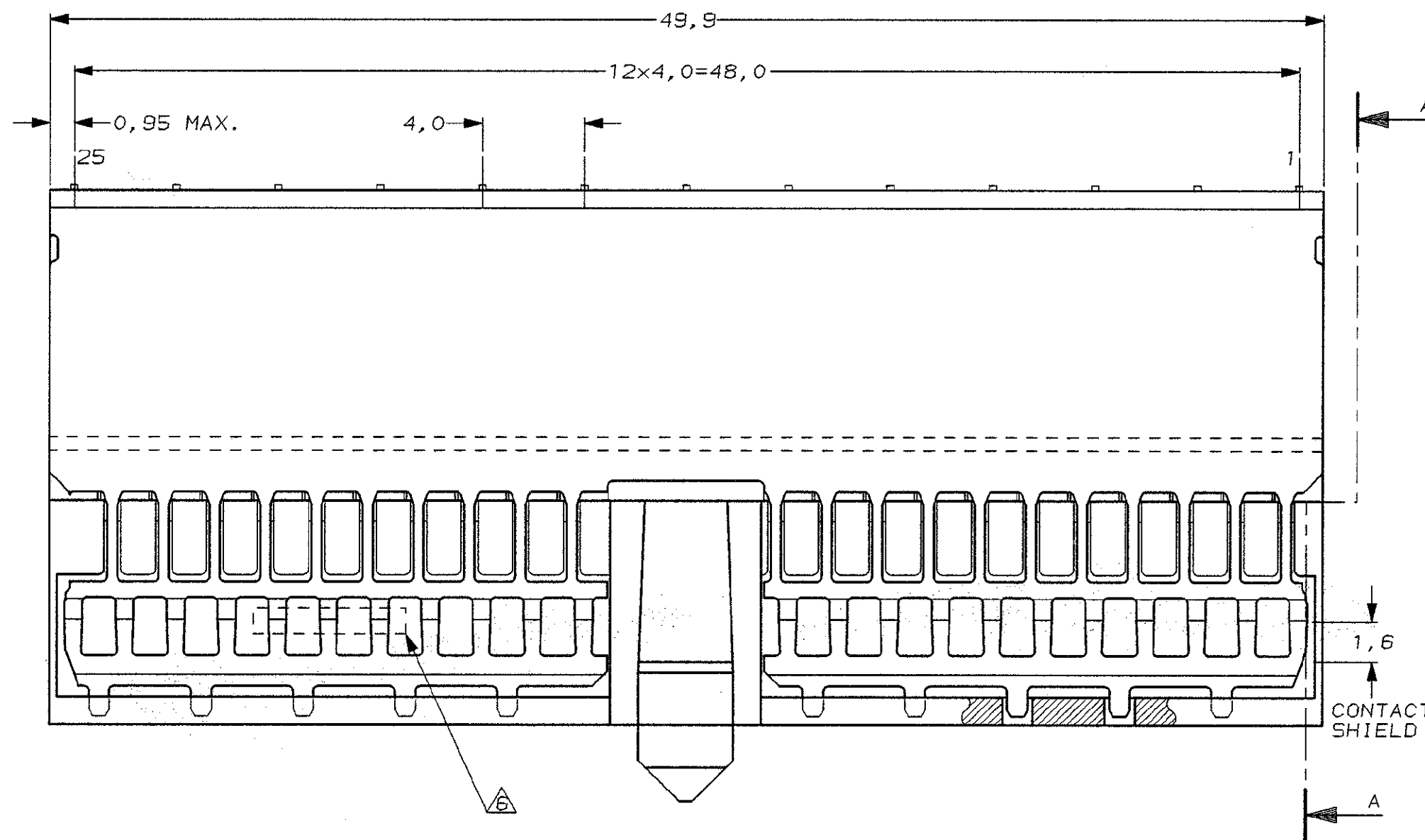


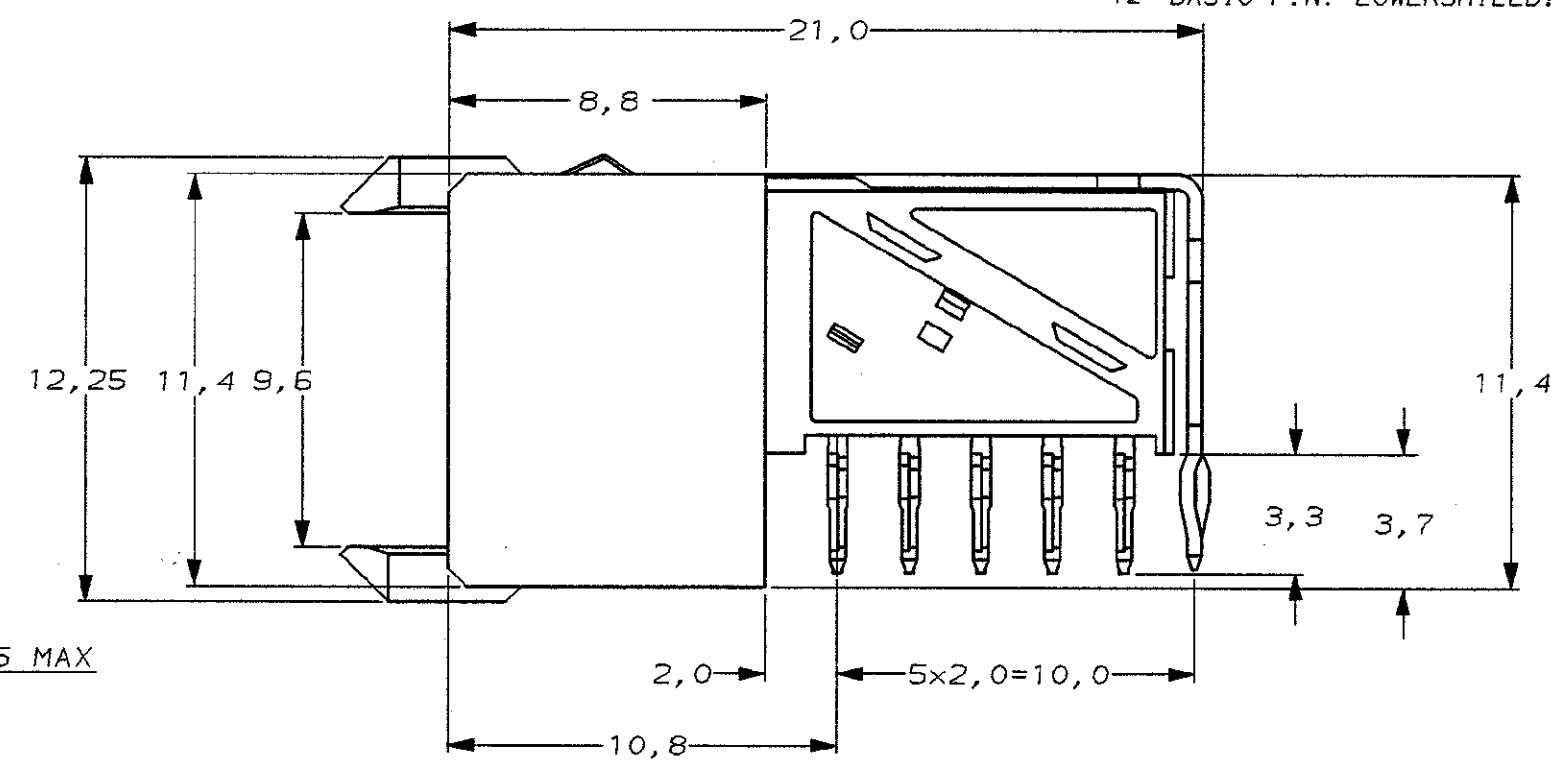
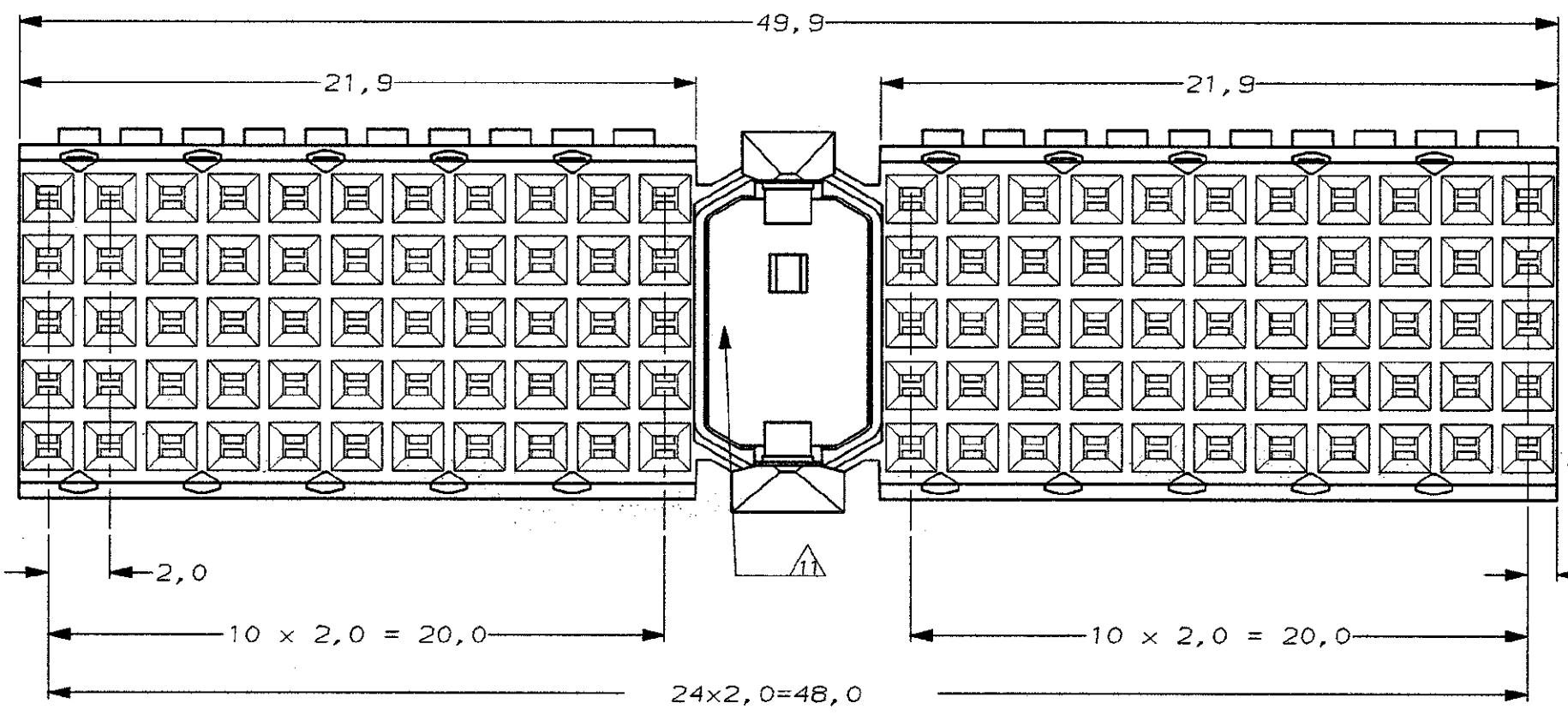
DO NOT SCALE
DIMENSIONS IN mm

METRIC

THIRD ANGLE
PROJECTION

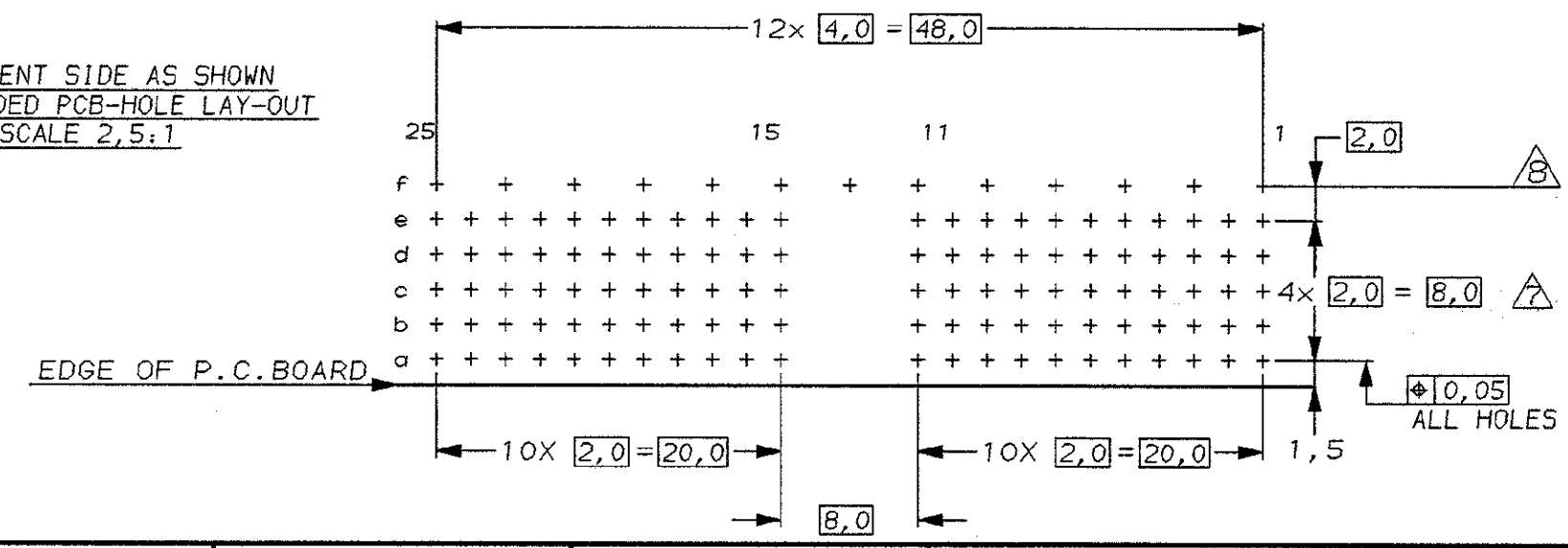


- NOTES:
- △ PLATING CONNECTOR:
CONTACT AREA: 0,8µm Au MIN. OVER 1,3µm Ni MIN.
ACTION PIN : 0,5µm SnPb MIN. OVER 1,3µm Ni MIN.
 - △ PLATING CONNECTOR:
CONTACT AREA: 2,0µm Au MIN. OVER 1,3µm Ni MIN.
ACTION PIN : 0,5µm SnPb MIN. OVER 1,3µm Ni MIN.
 - △ PLATING CONNECTOR:
CONTACT AREA: 1,3µm Au MIN. OVER 1,3µm Ni MIN.
ACTION PIN : 0,5µm SnPb MIN. OVER 1,3µm Ni MIN.
 - △ PLATING SHIELD:
CONTACT AREA: 0,8µm Au MIN.
ACTION PIN : 0,5µm SnPb MIN.
REMAINDER : Ni FLASH
 - △ MATERIAL CONTACTS; PHOSPHORBRONZE
 - △ MATERIAL HOUSING; GLASSFILLED POLYESTER (GRAY)
 - △ CONNECTOR PRINTED WITH PARTNUMBER AND DATECODE
 - △ HOLE PATTERN FOR FEMALE CONNECTOR TYPE A
110 PLATED-THROUGH HOLES AT 2x2mm SQUARE GRID
ROW "f" 13 PLATED THROUGH HOLES FOR UPPERSHIELD
 - △ CONNECTOR & SHIELD LUBRICATED WITH BELLCORE
APPROVED LUBRICANT, TECHNICAL REFERENCE
TR-NWT-001217 ISSUE 1, SEPT. 1992.
 - △ CONNECTOR TESTED AND QUALIFIED AGAINST BELLCORE
QUALITY LEVEL III, CENTRAL OFFICE APPLICATIONS
 - △ SHIELD MOUNTED ON CONNECTOR WITH DOUBLE SIDED
ADHESIVE TAPE
 - △ AREA RESERVED FOR KEYING PART (BASIC P.N. 100526)
12 BASIC P.N. LOWERSHIELD: 338108



P.C.B. HOLE DIM. ACTION PIN
 DRILLED HOLE: 0,7±0,025mm
 FIN. HOLE : 0,55 TO 0,65mm
 Cu-thks : 0,025 TO 0,050mm
 SnPb-thks : 0,004 TO 0,010mm

COMPONENT SIDE AS SHOWN
 RECOMMENDED PCB-HOLE LAY-OUT
 SCALE 2,5:1



THIS DRAWING IS
PRELIMINARY

FINISH	MATERIAL	PARTNUMBER
△△△	△	1-352068-9
△△△	△	352068-9
△△	△	352068-4
△△	△	352068-3
△△	△	352068-1

CUSTOMER DRAWING				FOR REFERENCE ONLY WILL NOT BE UPDATED	
© COPYRIGHT 1996 BY AMP-HOLLAND B.V. ALL INTERNATIONAL RIGHTS RESERVED. AMP PRODUCTS MAY BE COVERED BY U.S. AND FOREIGN AND/OR PATENTS PENDING. THIS DRAWING IS UNPUBLISHED RELEASED FOR PUBLICATION					
AMP		AMP-HOLLAND B.V. 's-Hertogenbosch, The Netherlands.			
NAME: Z-PACK 2mm HM					
110 POS. TYPE A, WITH INTEGRATED GROUND RETURN UPPERSHIELD					
DR.:	D. TRUEN	CHK.:	W. D. HEIJDEN	APP.:	B. MOOIJ
DATE:	20-01-97	DATE:	20-01-97	DATE:	22-1-97
LTR.:		REVISION RECORD		DR.:	CHK.:
0		EH-0948-96		DT	WvdH
				20-01-97	
DWG. No.:		C-352068		REV. LTR.:	SHEET
				0	1 OF 1