



ENGLISH

RS Pro Gate Valve 103011, 1-1/2in

RS Stock No. 510-3823

Brand RS Pro

Mfr. Part No. 103011



Image representative of range

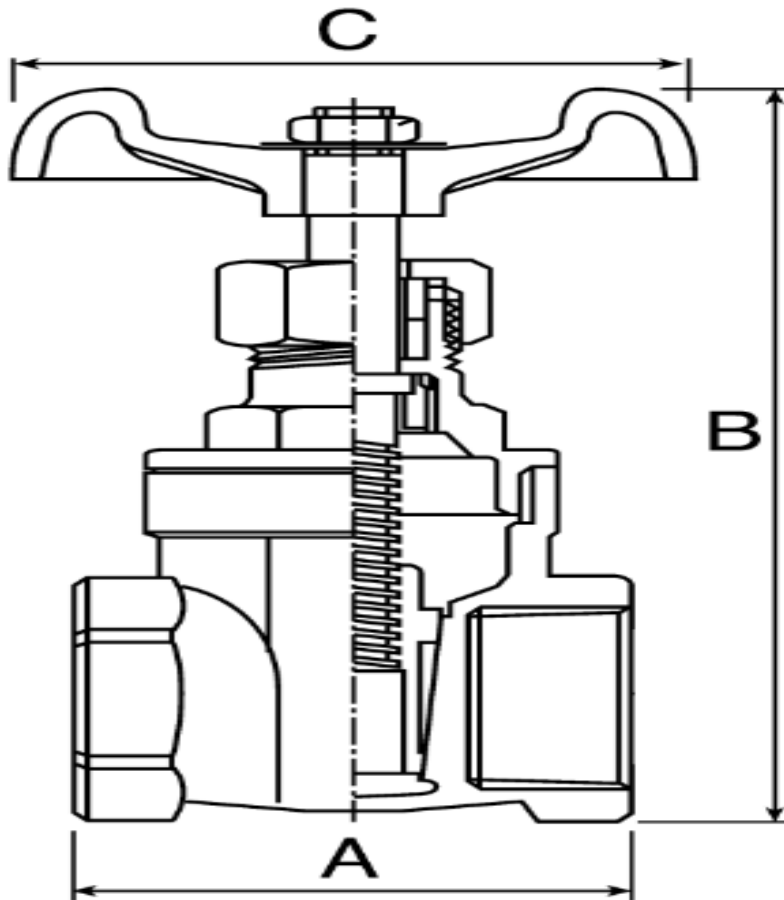
Product Details

Bronze Gate Valves PN20 Series B

To BS5154, with BS21 taper thread
Non-rising stem
Threaded bronze bonnet
One-piece wedge
Bronze trim

Material Specifications

Body Material	Handle Material	Packing Material	Stem Material	Stem Nut Material
Bronze	Aluminum	PTFE	Copper Alloy	Copper Alloy



Gate Valves, Brass or Bronze

Specifications

Not what you're looking for? Select the attributes you require, then click the button below

<input type="checkbox"/> Connection	1-1/2 in BSPT
<input type="checkbox"/> Maximum Working Pressure	20 bar
<input type="checkbox"/> Handle Height from Center	145mm
<input type="checkbox"/> Body Material	Bronze
<input type="checkbox"/> Connection Size	1-1/2in
<input type="checkbox"/> Thread Standard or Connection Type	BSPT Female