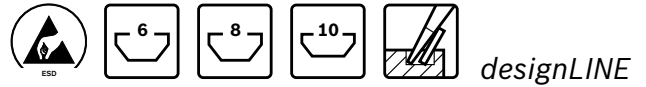


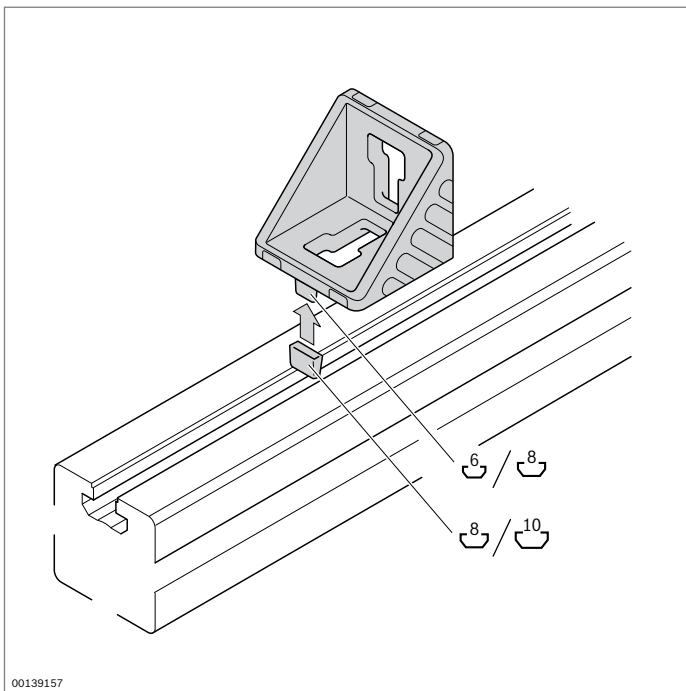
Bracket

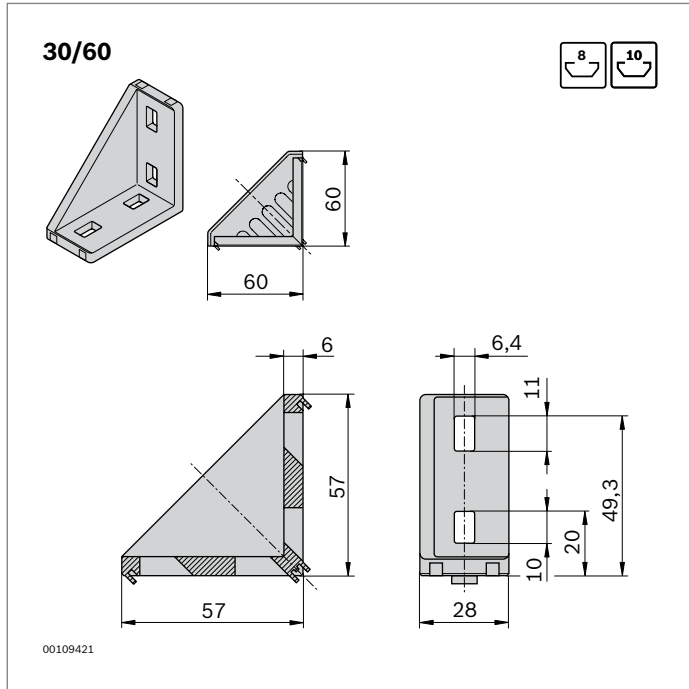


- ▶ Brackets with centering lugs for rapid, precise assembly with protection against turning
- ▶ Centering lugs can be easily broken off for assembly on plates or at right angles to the slot
- ▶ *designLINE* version with special silver paint (RAL 9006) for an attractive, high-quality design
- ▶ Intermediate element for positioning brackets in the next largest slot
- ▶ Offset sliding block for off-center positioning of the 45/45 bracket
- ▶ Cover cap to protect from dirt, available in signal gray (RAL 7004) and black ESD (RAL 9005)
- ▶ Profile finishing: not required

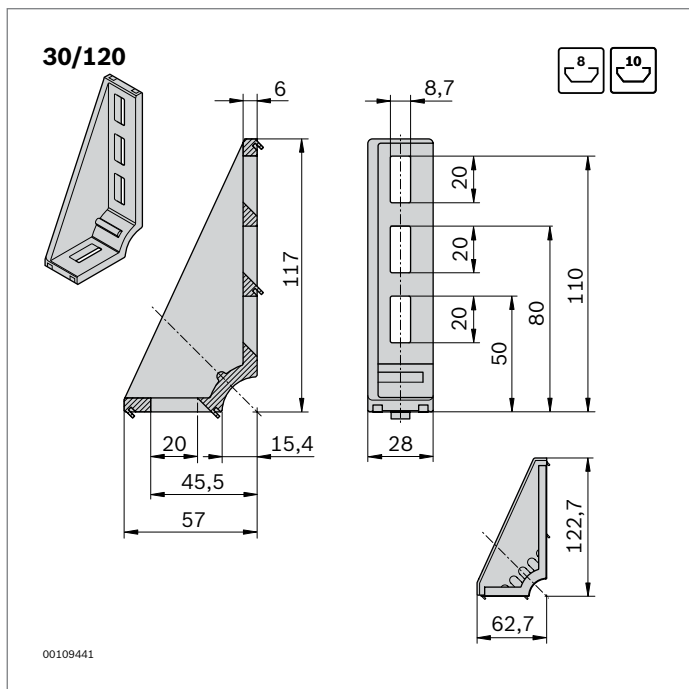
Technical data (p. 19-9)

Note: The collar screws enable the brackets to be assembled really quickly and easily (p. 3-5)





Type				
30/60	2500 N	100 Nm	170 Nm	25 Nm

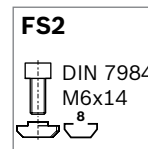


Type			
30/120	3750 N	100 Nm	47 Nm

30/60	Slot	ESD		No.	FS
Set (standard)	8 / 8		1	3 842 523 541	4xFS2
<i>designLINE</i> set	8 / 8		1	3 842 551 601	4xFS2
Bracket (standard)	8		20	3 842 523 538	
Cover cap, signal gray			20	3 842 548 848	
Cover cap, black			20	3 842 548 849	
Adapter for 10 mm slot	8 / 10		100	3 842 523 537	

Material: Bracket: Diecast aluminum, vibratory ground
designLINE bracket: painted (RAL 9006)
 Adapter: PA, black
 Cover cap: PP
 Fastening material: steel; galvanized

Scope of delivery: set incl. fastening material (FS)



30/120	Slot	ESD		No.	FS
<i>designLINE</i> set	8 / 8		1	3 842 551 602	2xFS6
Bracket (standard)	8		20	3 842 523 587	
Cover cap, signal gray			20	3 842 548 850	
Cover cap, black			20	3 842 548 851	
Adapter for 10 mm slot	8 / 10		100	3 842 523 537	

Material: Bracket: Diecast aluminum, vibratory ground
designLINE bracket: painted (RAL 9006)
 Adapter: PA, black
 Cover cap: PP
 Fastening material: steel; galvanized

Scope of delivery: set incl. fastening material (FS)

