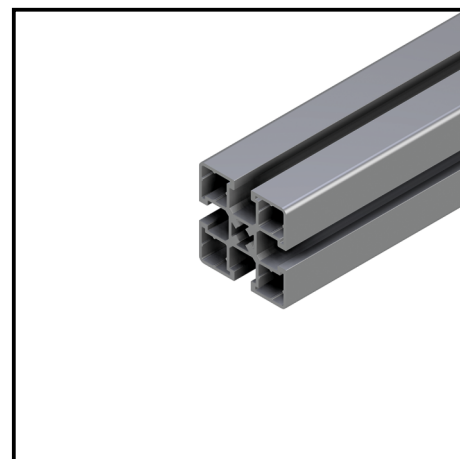
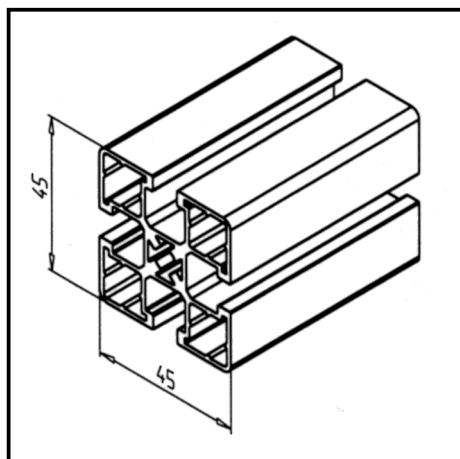


# PROFILE 45 X 45 UL

Article Nr. 20.1063/0

See the product on the website →

Download CAD Files →



## TECHN. DATA / ITEMS SUPPLIED

- Aluminium, extruded, anodized E6/EV1
- $I_x = 9.953 \text{ cm}^4$
- $I_y = 9.953 \text{ cm}^4$
- $w_x = 4.423 \text{ cm}^3$
- $w_y = 4.423 \text{ cm}^3$
- $IT = 12.256 \text{ cm}^4$
- Weight = 1.445 kg/m
- Packing unit = 54 m

## APPLICATIONS

- Weight-optimized constructions
- All kinds of constructions

## ASSEMBLY

- MiniTec power-lock fastener
- Angle 19 / 25 / 45 / 45 x 90 GD-Z
- Bolt connector
- Screw connection