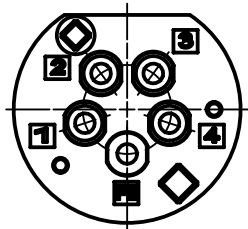


1 2 3 4 5 6



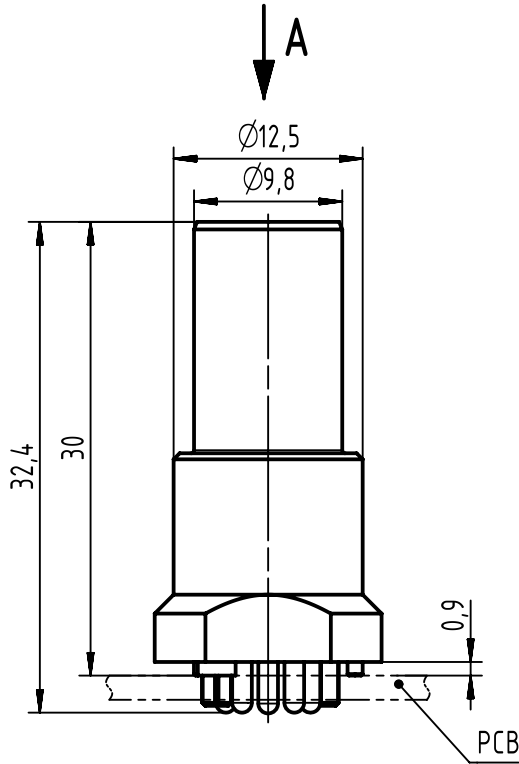
recommended PCB-layout
A (5:1)

A

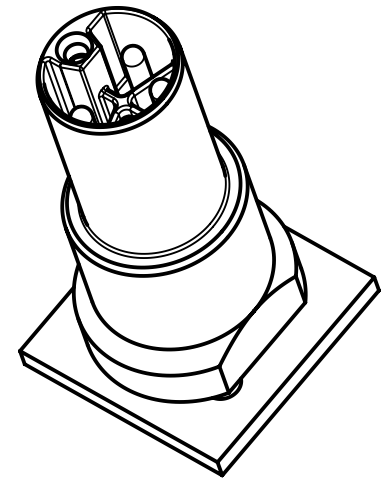
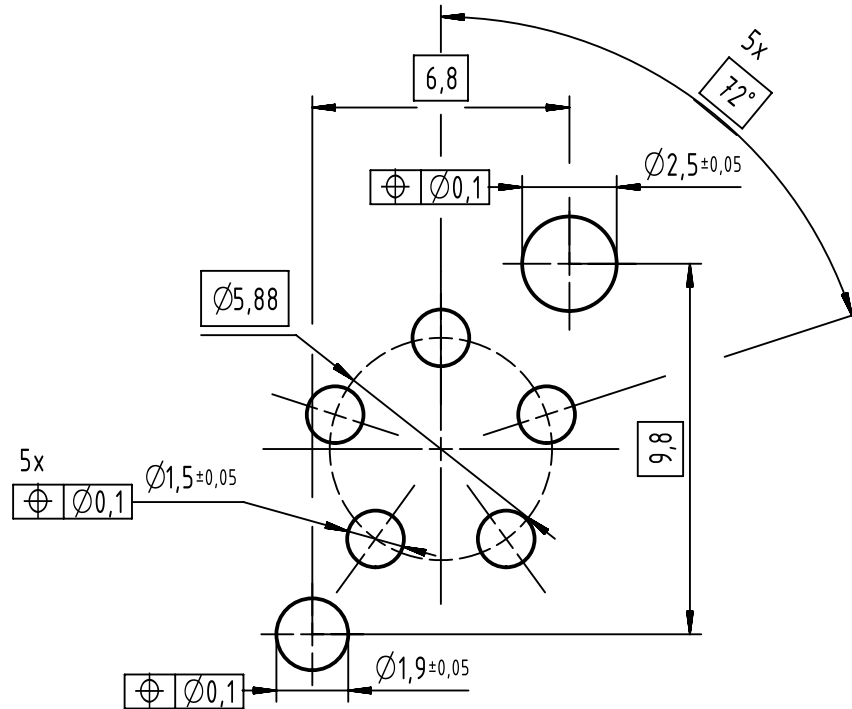
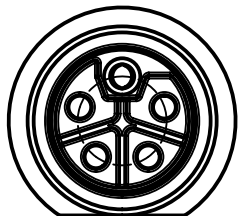
B

C

D



contact face based on
IEC 61076-2-111



	All rights reserved Department EC PD - RO	All Dimensions in mm Original Size DIN A4			Scale 2:1	Free size tol.	Ref.
		HARTING Electronics GmbH D-32339 Espelkamp	Created by STOICA	Inspected by AVRAM	Standardisation HOFFMANN	Date 2016-03-24	State Final Release
		Title M12 Power Male PCB receptacle L-coded					Rev. B
		Type TB	Number 21033961505			Page 1/1	