

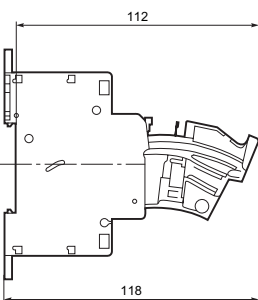
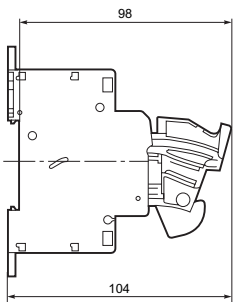
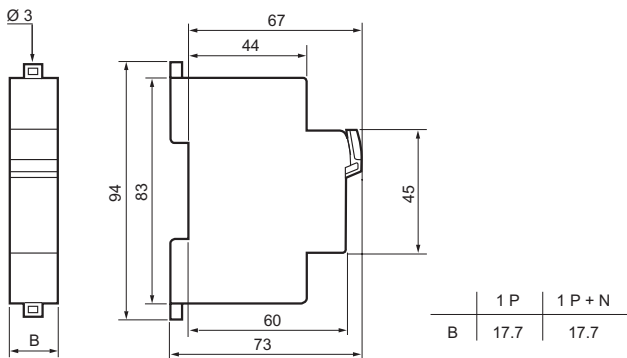
1. PRINCIPLE

Modular fuse carrier for protection and switching of electrical circuits

2. RANGE

Single-pole, single-pole + neutral
Rating: 10/16/20/25/32 A

3. DIMENSIONS (mm)



4. ELECTRICAL CHARACTERISTICS

Breaking capacity: domestic cylindrical cartridge fuse

Rating	With or without indicator				
	10 A	16 A	20 A	25 A	32 A
Size	8.5 x 23	10.3 x 25.8	8.5 x 31.5	10.3 x 31.5	10.3 x 38
Voltage	250 V		400 V		
ISC (kA)	6		20		

Nominal frequency	50/60 Hz
Overvoltage level	6 kV
Dielectric strength	4 kV (50 Hz)
Degree of pollution	3
Max. dissipated power per pole	1 P = 0.7 W 1 P + N = 2.2 W

5. CONFORMITY

USE approval according to standard NF C 61-201
Conforms to standard IEC 269-3-3/1

6. MECHANICAL CHARACTERISTICS

Environmental conditions

Operating temperature: - 5 °C to + 40 °C
Storage temperature: - 10 °C to + 70 °C

Mechanical resistance: IP xx3

Materials

Casing	Reinforced polyethylene	Density	1.62 to 1.70
		Max. tensile stress	> 100 MPa
		Bending module	> 9.50 GPa
		Incandescent wire	960 °C/5 s
		Oxygen index	> 30
		Colour	grey RAL 7035
Screws	Zinc bichromate finish steel		
Contacts > 16 A	Silver-plated copper		
Contacts ≤ 16 A	Brass		

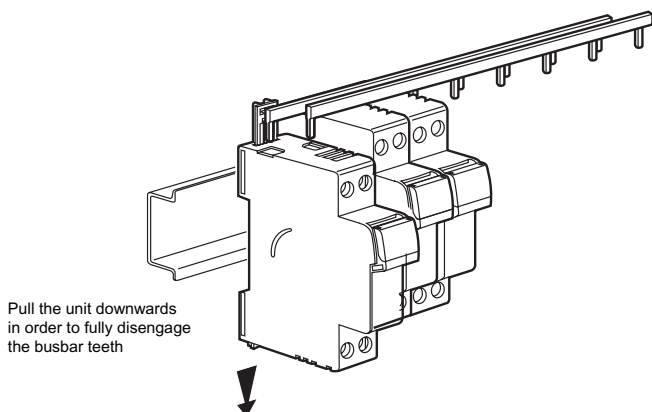
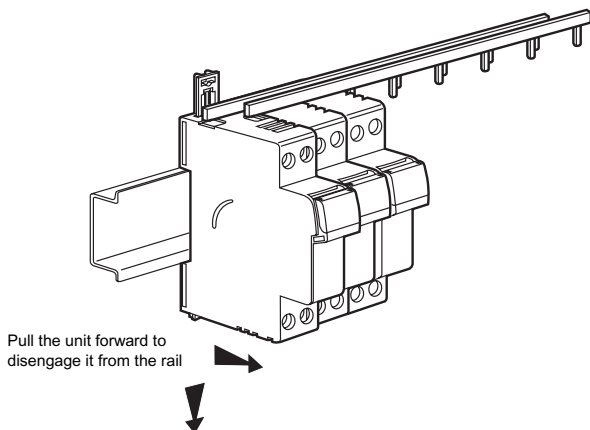
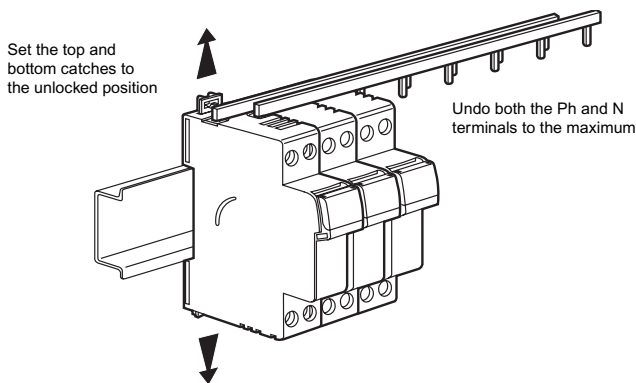
7. INSTALLATION

- Fixing:
- On symmetrical rail EN 50-022
- With \varnothing 3 screws on plate using ends of released claws
- Supply via the top and the bottom
- Operating position: vertical
- Connection

	1 P + N	1 P
Conductors permitted		
- Flexible with end caps	1.5 to 10 mm ²	1.5 to 25 mm ²
- Flexible	1.5 to 10 mm ²	1.5 to 25 mm ²
- Rigid	1.5 to 16 mm ²	1.5 to 25 mm ²
Tools required:		
- Flat blade screwdriver	\varnothing 4 to 5.5 mm	\varnothing 4 to 5.5 mm
- Posidrive screwdriver	PZ1	PZ2
Tightening torque		
- min.	1.2 Nm	1.8 Nm
- max.	2.8 Nm	3 Nm
- recommended	2 Nm	2.2 Nm

- Protection against direct contact: IP2x
- Cage terminals, with combined Posidrive, releasable and captive screws
- Alignment and spacing of the terminals to allow busbar connection with other products in the range

- Maintained with busbar connection

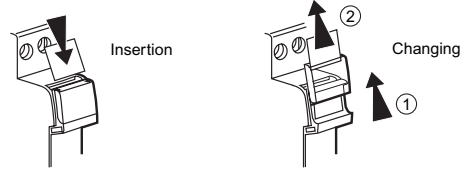


7. INSTALLATION (continued)

- Labelling:

Circuits labelled on front face:

- with label creation software
- with electronic label printer with keypad
- with pre-printed sheets of symbols

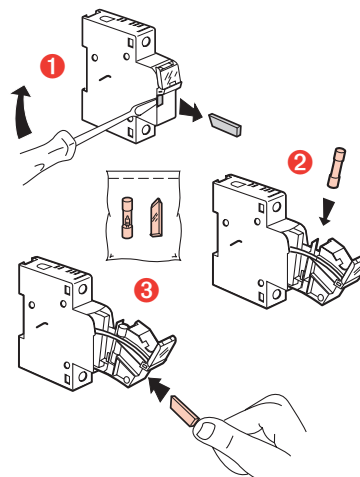


- Wiring accessories

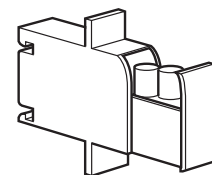
- supply busbars
- incoming terminals

- Miscellaneous accessories

- blow-out indicator 250 V_~ Cat. No. 057 90



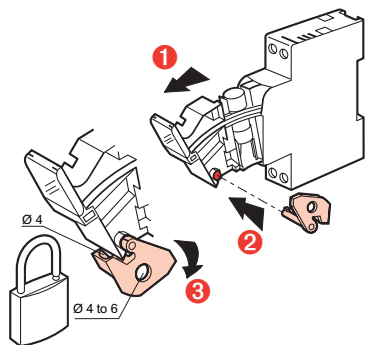
- reserve cartridge holder Cat. No. 057 91



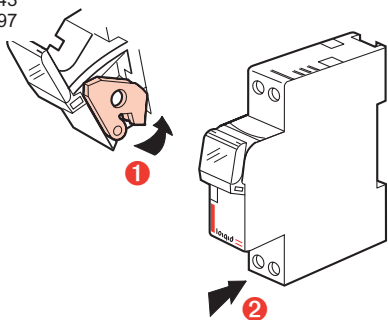
7. INSTALLATION (continued)

- Miscellaneous accessories

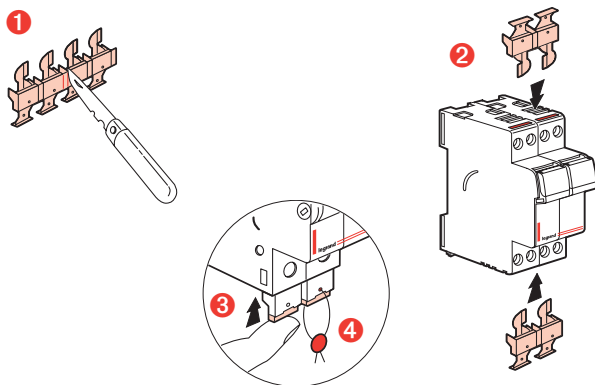
- locking accessory Cat. No. 057 99



padlock ø 5 mm Cat. No. 044 43
padlock ø 6 mm Cat. No. 227 97

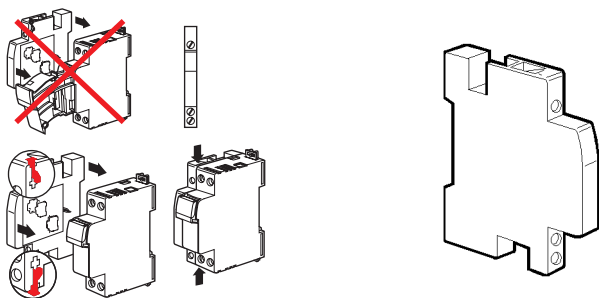


- Lead sealable terminal shield (4 separable poles) Cat. No. 044 44




- Auxiliary device

N/C + N/O auxiliary switch for on/off signalling 250 V (0.5 module)
Cat. No. 05796



8. PROTECTION INDEX

- Class 2 : unit closed, open or being opened
- IP 2x