



Brand of NTN Group

Technical data

UCF214T20

Bearing units

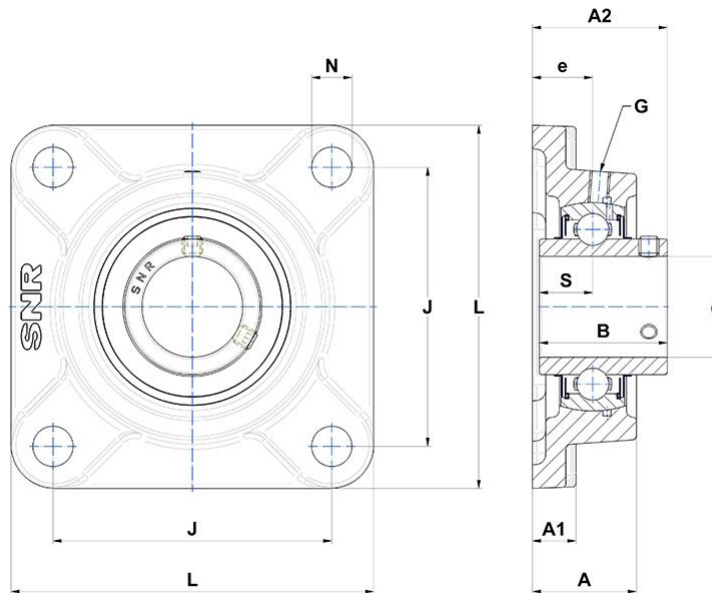


Grey cast housing, radial insert ball bearing with socket set screws, labyrinth seal, for high-temp. applications

KIT CONTENT

UC214G2T20, F214

VISUAL (S)



PRODUCT DEFINITION

Brand	SNR
A - Housing height	54 mm
A1 - Housing foot height / flange height	22 mm
A2 - Total height from mounting surface	75,4 mm
B - Width of Inner Ring	74,6 mm



NTN Europe

1 rue des Usines · BP 2017 · 74010 Annecy Cedex · France · Tel. +33 (0)4 50 65 30 00
 S.A. au capital de 322 639 919 € · RCS ANNECY B 325 821 072 · Id. Fiscale : FR 48 325 821 072
 SIRET 325 821 072 00015 · Code APE 2815 Z · Code NACE 28.15

PRODUCT DEFINITION

d - Shaft diameter	70 mm
e - Distance mounting surface to bearing center	31 mm
G - Grease fitting	M10x1
J - Mounting holes distance	152 mm
L - Housing width / diameter	193 mm
N - Mounting hole dimension	19 mm
S - Distance front side/bearing centre	30,2 mm

PRODUCT PERFORMANCE

C - Dynamic load rating	62000000 mN
C0 - Static load rating	45000000 mN
Operating temperature min.	253,15 °K
Operating temperature max.	473,15 °K

OTHER FEATURES

Mass	6,21 kg
Recommended tightening torque for set screw	33 N-m

