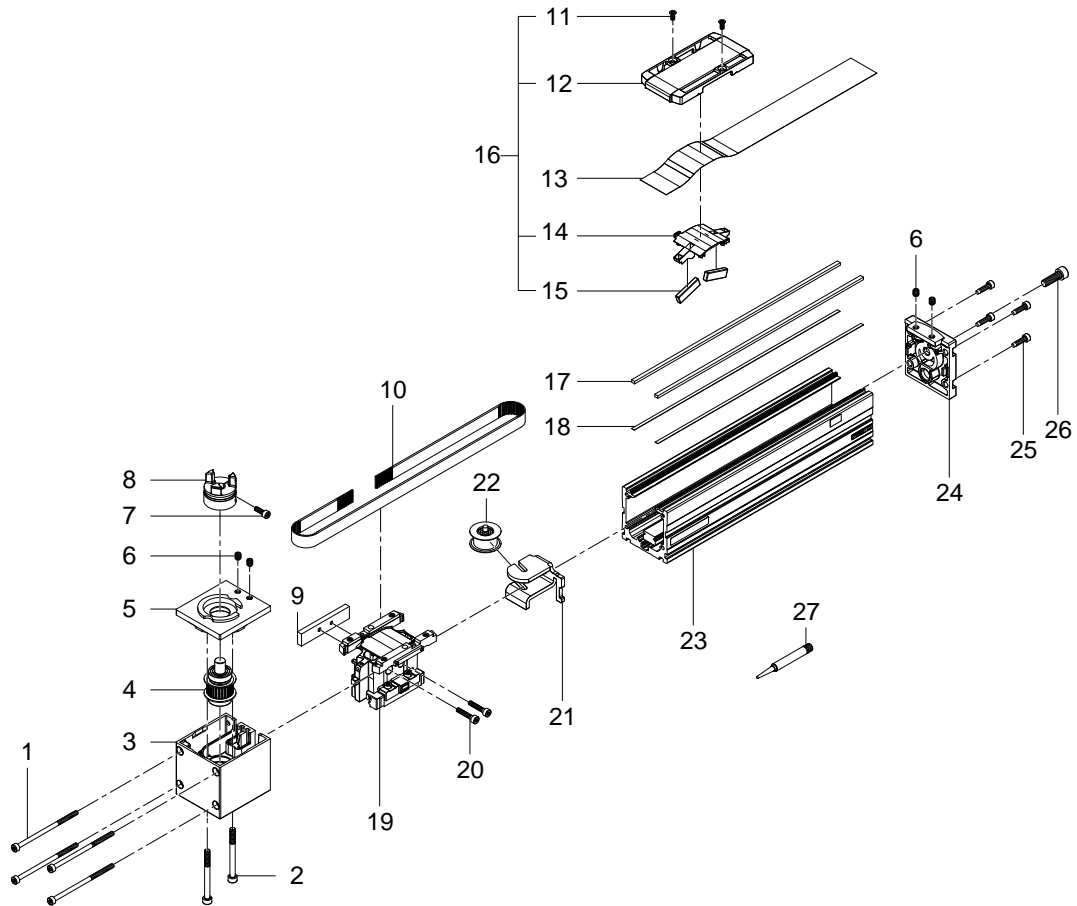


8062768 ELGC-TB-KF-45-200 Toothed belt axis - Series from 07-2022



8062768 ELGC-TB-KF-45-200 Toothed belt axis - Series from 07-2022

| Pos. | Part no. | Type | Note | Qty. | Unit |
|------|----------|---|---|------|------|
| 1 | | ISO 14579-M3X60-8.8 Socket head screw | Not available Tightening torque 1 Nm / 0.7 lbf ft Achtung! Element chemisch vernickelt (B0b)/Attention! Component chemically nickel-plated (B0b) | 4 | PC |
| 2 | | ISO 14579-M4X40-8.8 Socket head screw | Not available Tightening torque 2.9 Nm / 2.1 lbf ft Achtung! Element chemisch vernickelt (B0b)/Attention! Component chemically nickel-plated (B0b) | 2 | PC |
| 3 | | ELGC-TB-KF-45:CO Drive cover | Not available Use locking compound. See position 27 | 1 | PC |
| 4 | | ELGC-TB-KF-45 Toothed belt pulley module | Not available | 1 | PC |
| 5 | | ELGC-TB-KF-45 Plate module | Not available | 1 | PC |
| 6 | 8146611 | ISO 4026-M4X5-45H Threaded pin | Tightening torque 0.2 Nm / 0.1 lbf ft Achtung! Element chemisch vernickelt (B0b)/Attention! Component chemically nickel-plated (B0b) Attention! 2 pieces included | 2 | PC |
| 7 | | | Not available Tightening torque 1 Nm / 0.7 lbf ft | 1 | PC |
| 8 | | EAMC-15-GB8-D8X9-A Hub | Not available | 1 | PC |
| 9 | | ELGC-TB-KF-45 Plate | Not available Use locking compound. See position 27 Achtung! Element chemisch vernickelt (B0b)/Attention! Component chemically nickel-plated (B0b) | 1 | PC |
| 10 | 8096934 | DGE-18-ZR -5M Toothed belt | Attention! Length 5 meter Repair note: Quick_guide_toothed_belt Replacing the toothed belt | 1 | PC |
| 11 | | ISO 7046-M2,5X6-4.8-Z Countersunk screw | Not available separately, see position 16 Tightening torque 0.2 Nm / 0.1 lbf ft Achtung! Element chemisch vernickelt (B0b)/Attention! Component chemically nickel-plated (B0b) | 2 | PC |
| 12 | | ELGC-45 Covering | Not available separately, see position 16 Use locking compound. See position 27 | 1 | PC |
| 13 | 8179383 | ELGC/ELFC-KF-45 Cover strip | Attention! Length 2.5 meter Repair video | 1 | PC |
| 14 | | ELGC-45 Belt reversal | Not available separately, see position 16 | 1 | PC |
| 15 | | EMMT-AS-60- Magnet | Not available separately, see position 16 | 2 | PC |
| 16 | 8179466 | ELGC-45 Belt reversal | Repair video | 1 | PC |
| 17 | 8040752 | 2X3X10000 Magnetic tape | Attention! Length 10 meter | 1 | PC |
| 18 | 4171246 | ELGA-TB-KF Adhesive tape | | 25 | M |
| 19 | | ELGC-TB-KF-45 Slide unit | Not available Lubricate with ELKALUB VP 922 during assembly | 1 | PC |
| 20 | | ISO 14579-M3X16-8.8 Socket head screw | Not available Tightening torque 0.5 Nm / 0.4 lbf ft Achtung! Element chemisch vernickelt (B0b)/Attention! Component chemically nickel-plated (B0b) | 2 | PC |
| 21 | | ELGC-TB-KF-45 Mounting bracket | Not available | 1 | PC |
| 22 | | ELGC-TB-KF-45 Take-up pulley module | Not available | 1 | PC |

| Pos. | Part no. | Type | Note | Qty. | Unit |
|------|----------|--|---|------|------|
| 23 | | ELGC-TB-KF-45 Cylinder barrel module | Not available | 1 | PC |
| 24 | | ELGC-TB-KF-45:CO Cover | Not available | 1 | PC |
| 25 | | DIN 7500-OE M3X12-ST self-tapping screw | Not available Tightening torque 2 Nm / 1.5 lbf ft Achtung! Element chemisch vernickelt (B0b)/Attention! Component chemically nickel-plated (B0b) | 4 | PC |
| 26 | | ISO 14579-M5X16-10.9 Socket head screw | Not available Achtung! Element chemisch vernickelt (B0b)/Attention! Component chemically nickel-plated (B0b) | 1 | PC |
| 27 | 8181256 | CYBERBOND TM44 TB1ML Adhesive bonding agent | | 1 | PC |