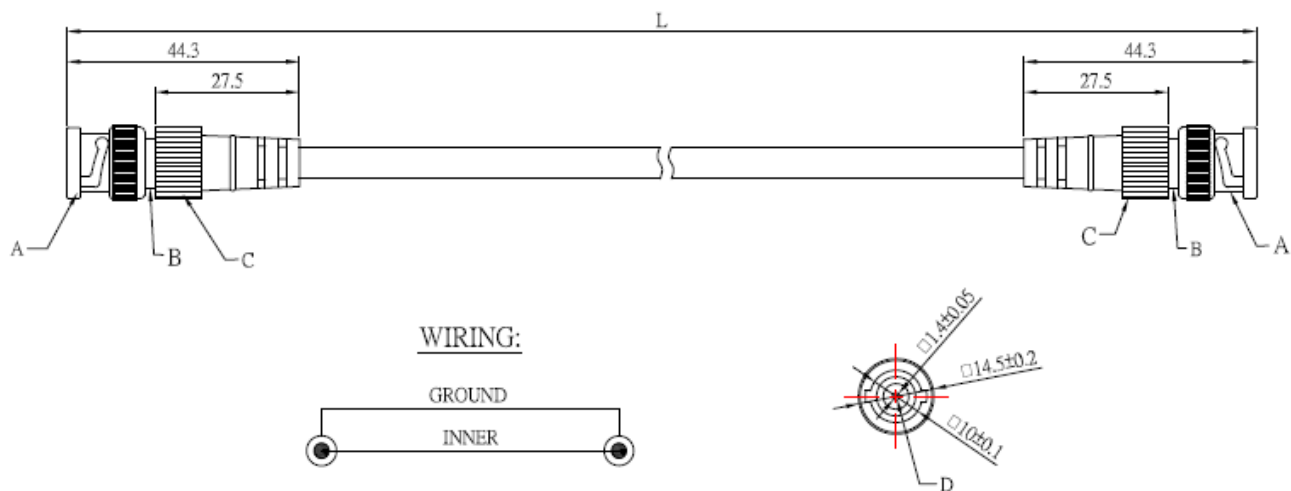


# Datasheet

## Male BNC to Male BNC Coaxial Cable Assembly

RS Stock number [742-4311](#)

Dimensions: (mm)



### Specifications

G.						All Dimensions are Millimeters			
F.						Unless Otherwise Specified Tolerances			
E.						0.5~6= ±0.1			
D.	PIN	2	BRASS	GOLD		6~30= ±0.3			
C.	BODY	2	PVC	BLACK		30~120= ±0.5			
B.	BNC BODY	2	BRASS	NICKEL		120~315= ±0.8			
A.	BNC SHELL	2	ZINC	NICKEL		ANGLES= ±3°			
NO	Description	Unit	Materials	Finish/Color	PART NO.	Scale	1:1	Issue	A