

Metric Spacers

SPACERS

Clearance Spacers

- Standard lengths available from 3 to 30mm.
- Brass spacers: base material is free-machining brass, with nickel plating.
- Aluminium spacers: supplied with a clear passivation finish to prevent oxidation.
- Plastic material: Nylon 66 UL94V-2.



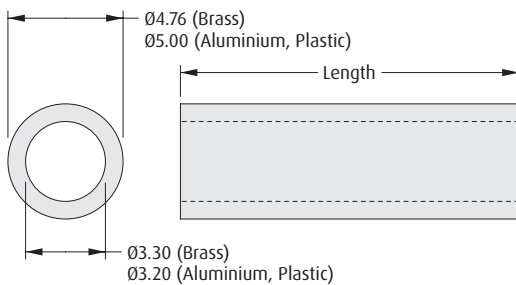
CLEARANCE FOR M3 THREAD

Materials

Base material: Brass, Aluminium or Plastic

Finish

Brass: Nickel
Aluminium: Clear Passivate



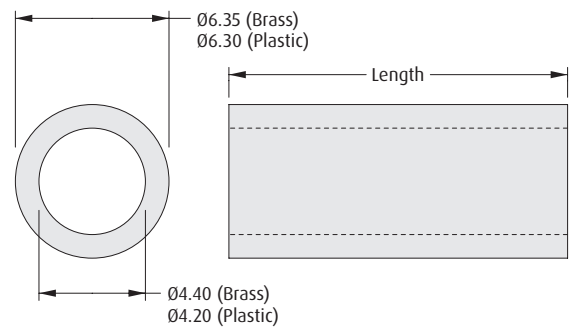
CLEARANCE FOR M4 THREAD

Materials

Base material: Brass or Plastic

Finish

Brass: Nickel



HOW TO ORDER

R30 - 6 XX XX XX

SERIES CODE

MATERIAL

| | |
|----|-----------|
| 01 | Brass |
| 20 | Aluminium |
| 70 | Plastic |

LENGTH (mm)

| | |
|--------------------------|------------------|
| 03 to 16, 18, 20, 25, 30 | Brass, Aluminium |
| 03 to 16, 18, 20, 25 | Plastic |

FINISH

| | |
|----|------------------------------|
| 02 | Nickel (Brass only) |
| 14 | Passivation (Aluminium only) |
| 94 | White (Plastic only) |

HOW TO ORDER

R40 - 6 XX XX XX

SERIES CODE

MATERIAL

| | |
|----|---------|
| 00 | Brass |
| 71 | Plastic |

LENGTH (mm)

| | |
|--------------------------------|---------|
| 03 to 16, 18, 20, 25, 30 | Brass |
| 03, 05 to 08, 10 to 12, 15, 18 | Plastic |

FINISH

| | |
|----|----------------------|
| 02 | Nickel (Brass only) |
| 94 | White (Plastic only) |

All dimensions in mm.