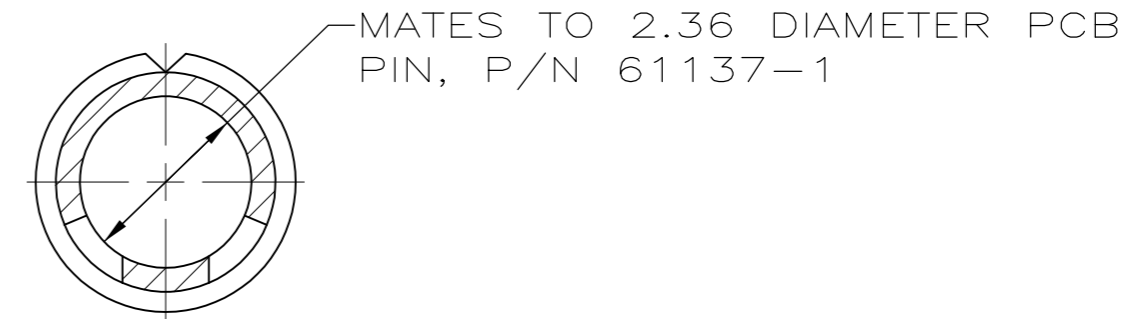
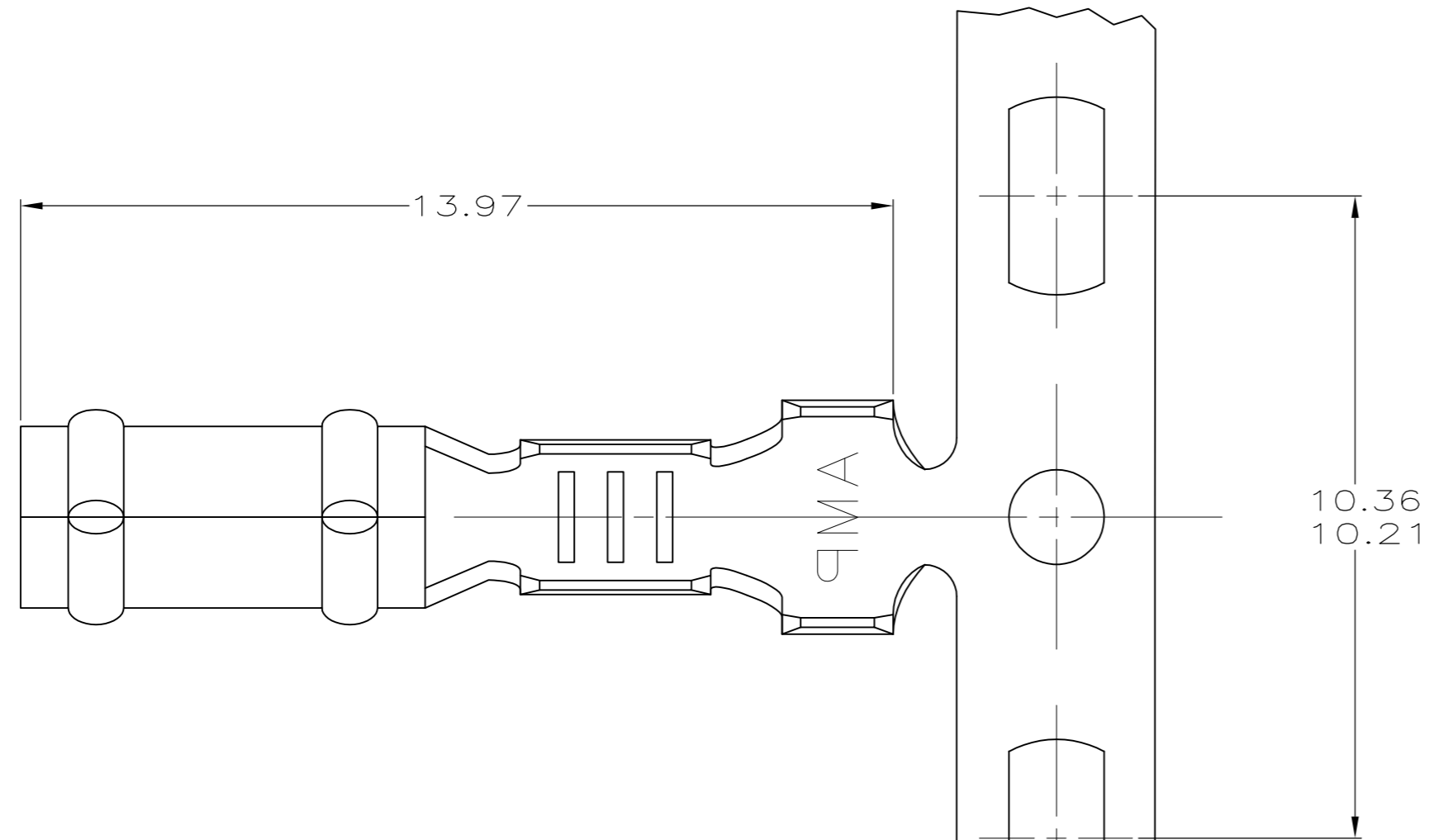


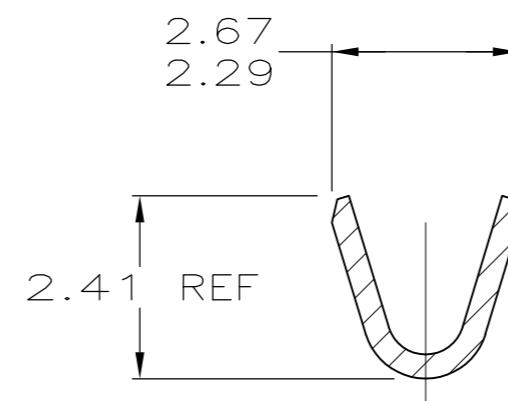
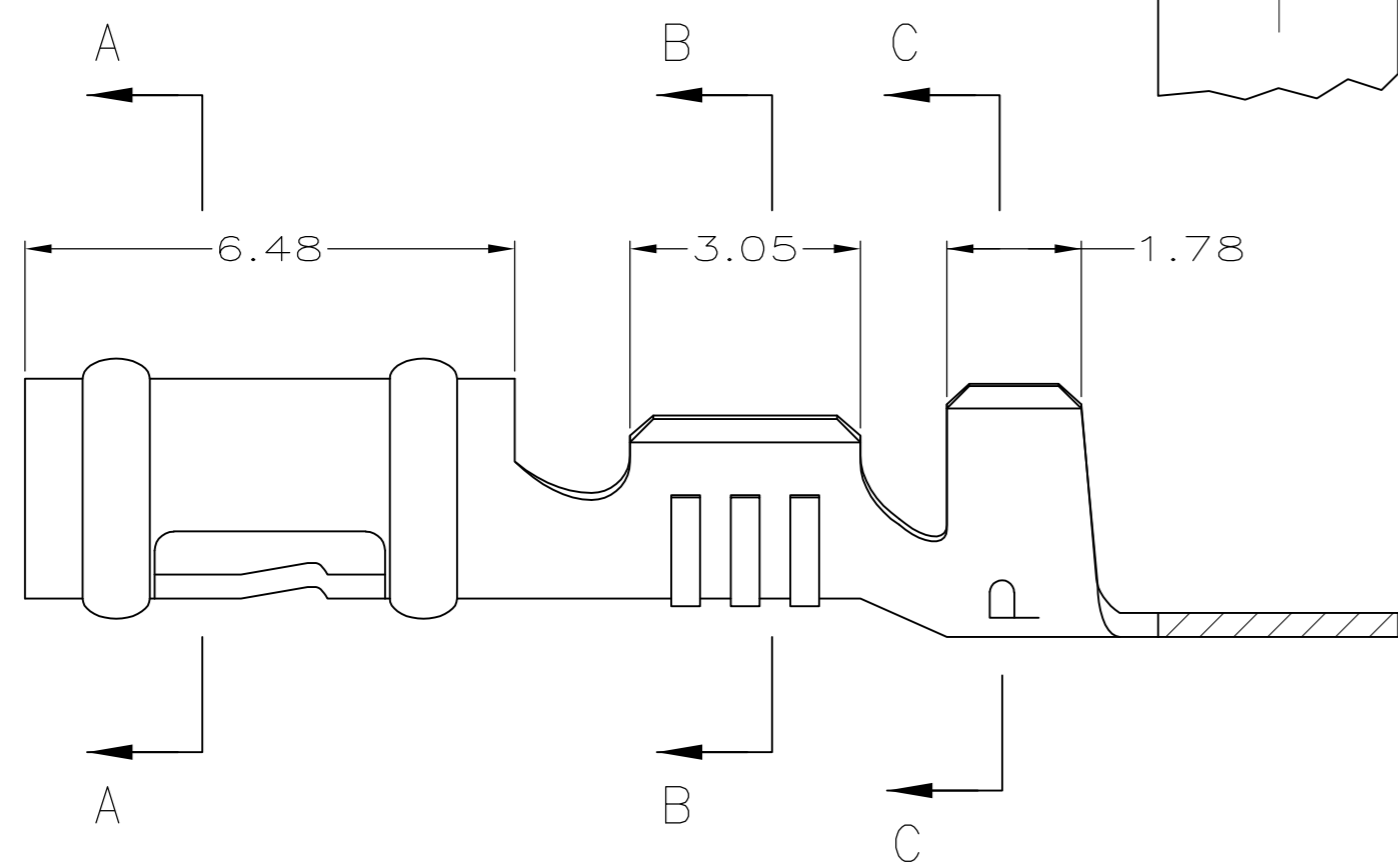
THIS DRAWING IS UNPUBLISHED. RELEASED FOR PUBLICATION
 © COPYRIGHT - By - ALL RIGHTS RESERVED.

LOC	DIST	REVISIONS			
P	LTR	DESCRIPTION	DATE	DWN	APVD
CM	52	L2	REVISED PER ECO-11-004917	11MAR11	RK HMR

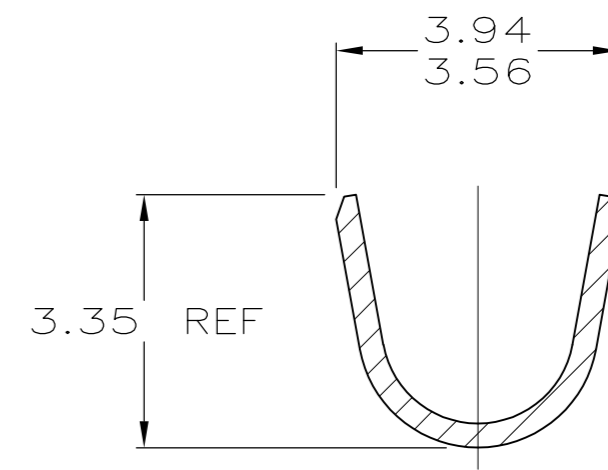
1. WIRE RANGE: 0.3 - 0.9 MM² (22 - 18 AWG)
2. INSULATION RANGE: 1.52 - 2.79
- ⚠ REVERSE REEL OF PART NUMBER 61291-5.



SECTION A-A



SECTION B-B



SECTION C-C

⚠ 61291-5
 61291-1
 PART NUMBER

2.29	.090	3.05	.120	10.21	.402	-	-
1.78	.070	2.79	.110	6.48	.255	-	-
1.52	.060	2.67	.105	3.94	.155	-	-
0.32	.013	2.41	.095	3.56	.140	13.97	.550
0.13	.005	2.36	.093	3.35	.132	10.36	.408
MM	IN	MM	IN	MM	IN	MM	IN

CONVERSION TABLE

METRIC

THIS DRAWING IS A CONTROLLED DOCUMENT.		DWN	6-16-97	TE Connectivity	
DIMENSIONS: mm		T. BECK	6-16-97		
TOLERANCES UNLESS OTHERWISE SPECIFIED:		CHK	6-16-97		
0 PLC ± -		R. SWING	8-22-97		
1 PLC ± -		APVD	8-22-97		
2 PLC ± 0.13		A. BEDDICK		NAME	
3 PLC ± -		PRODUCT SPEC		RECEPTACLE, .093 DIAMETER, 22-18 AWG, .060-.110 INSULATION, P.C. CONTACT	
4 PLC ± -		APPLICATION SPEC		SIZE	CAGE CODE
ANGLES ± -		108-1025		A2	00779
MATERIAL		114-1008		DRAWING NO	RESTRICTED TO
0.32 PH BRZ		WEIGHT	-	C=61291	-
FINISH		CUSTOMER DRAWING		SCALE	SHEET
PRE TIN				10:1	1 of 1
				REV	L2