

Thermal device circuit breaker - TCP 10/DC32V - 0700010

Please be informed that the data shown in this PDF Document is generated from our Online Catalog. Please find the complete data in the user's documentation. Our General Terms of Use for Downloads are valid (<http://phoenixcontact.com/download>)



Thermal device circuit breaker, number of positions: 1, nominal current: 10 A, nom. voltage: 32 V, width: 6 mm, fuse type: Slow-blow, fuse type: Automatic device, mounting type: on base element, Color: red

Your advantages

- ✓ Compact design with precise nominal current levels
- ✓ A version with screw or spring-cage connection is used as a basic terminal block
- ✓ In the event of an error, the time-sensitive search for a suitable replacement fuse is eliminated thanks to the reclosure function
- ✓ Fits in all fuse holders designed for flat-type fuse inserts according to ISO 8820-3 (DIN 72581-3)
- ✓ The plug-in thermal miniature circuit-breaker combines the protective mechanism of an automotive flat-type fuse with the advantages of a circuit-breaker
- ✓ The area of application extends to the protection of integrated circuits in all battery and onboard systems with up to 32 V DC



Key Commercial Data

Packing unit	50 pc
GTIN	
GTIN	4046356079648
Weight per Piece (excluding packing)	4.060 g
Custom tariff number	85362010
Country of origin	Germany
Note	Made to Order (non-returnable)

Technical data

General

Mounting type	on base element
Color	red
Number of positions	1
Insulating material	PA

Electrical data

Thermal device circuit breaker - TCP 10/DC32V - 0700010

Technical data

Electrical data

Fuse	Slow-blow
Fuse type	Automatic device
Rated voltage	32 V DC
Rated current I_N	10 A
Rated short-circuit switching capacity I_{cn}	150 A (≥ 3 switch-offs)
	2000 A (≥ 1 switch-off)
	≤ 50 A (300 switch-offs)

Dimensions

Height	20.3 mm
Width	6 mm
Depth	24 mm

Ambient conditions

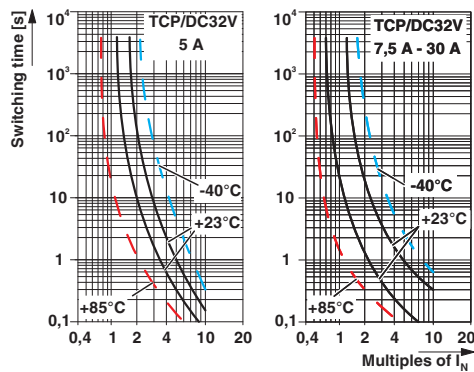
Degree of protection	IP30 (Actuation area)
Ambient temperature (operation)	-40 °C ... 85 °C

Environmental Product Compliance

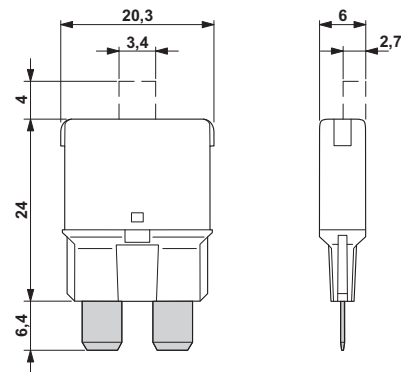
REACH SVHC	Lead 7439-92-1
------------	----------------

Drawings

Diagram

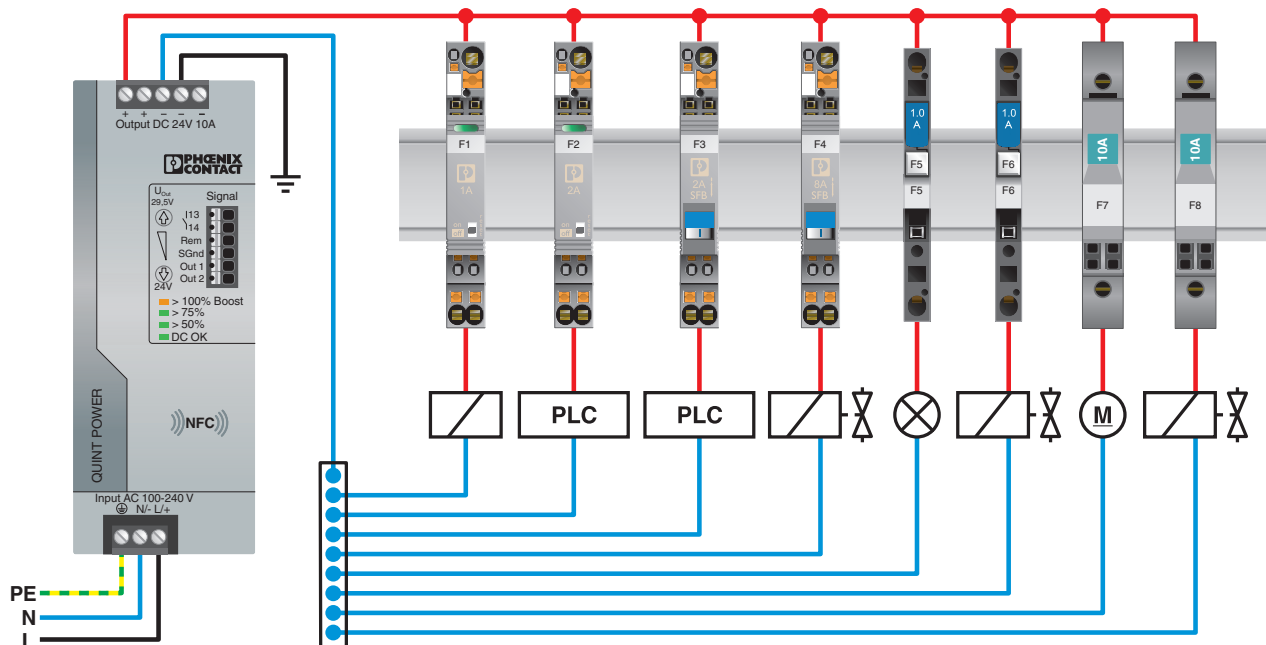


Dimensional drawing



Thermal device circuit breaker - TCP 10/DC32V - 0700010

Application drawing



Classifications

eCl@ss

eCl@ss 4.0	27141116
eCl@ss 4.1	27141116
eCl@ss 5.0	27141116
eCl@ss 5.1	27141100
eCl@ss 6.0	27141100
eCl@ss 7.0	27141116
eCl@ss 8.0	27141116
eCl@ss 9.0	27141116

ETIM

ETIM 2.0	EC000899
ETIM 3.0	EC000899
ETIM 4.0	EC000899
ETIM 5.0	EC000899
ETIM 6.0	EC000899

Thermal device circuit breaker - TCP 10/DC32V - 0700010

Classifications

UNSPSC

UNSPSC 6.01	30211812
UNSPSC 7.0901	39121411
UNSPSC 11	39121411
UNSPSC 12.01	39121411
UNSPSC 13.2	39121410

Approvals

Approvals

Approvals

EAC / EAC

Ex Approvals

Approval details

EAC		EAC-Zulassung
-----	--	---------------

EAC		RU C- DE.A*30.B01546
-----	--	-------------------------

Accessories

Additional products

Fuse modular terminal block - ST 4-FSI/C - 3036372



Fuse modular terminal block, fuse type: Flat, connection method: Spring-cage connection, cross section: 0.08 mm²-6 mm², AWG: 28 - 10, nominal current: 30 A, nom. voltage: 400 V, width: 8.2 mm, fuse type: C, mounting type: NS 35/7,5, NS 35/15, color: black

Thermal device circuit breaker - TCP 10/DC32V - 0700010

Accessories

Fuse modular terminal block - ST 4-FSI/C-LED 12 - 3036495



Fuse terminal block with LED for mounting on NS 35, for miniature circuit breakers, terminal width: 8.2 mm, color: Black

Fuse modular terminal block - ST 4-FSI/C-LED 24 - 3036505



Fuse terminal block with LED for mounting on NS 35, for miniature circuit breakers, terminal width: 8.2 mm, color: Black

Fuse modular terminal block - UK 6-FSI/C - 3118203



Flat-type fuse terminal block, cross section: 0.2 - 6 mm², AWG: 26 - 8, width: 8.2 mm, color: black

Fuse modular terminal block - UK 6-FSI/C-LED12 - 3001925



Flat-type fuse terminal block, cross section: 0.2 - 6 mm², AWG: 26 - 8, width: 8.2 mm, color: black, with light indicator, voltage light indicator: 12 V DC, current light indicator: 2 mA

Fuse modular terminal block - UK 6-FSI/C-LED24 - 3001938



Flat-type fuse terminal block, cross section: 0.2 - 6 mm², AWG: 26 - 8, width: 8.2 mm, color: black, with light indicator, voltage light indicator: 24 V DC, current light indicator: 2 mA

Thermal device circuit breaker - TCP 10/DC32V - 0700010

Accessories

Fuse modular terminal block - PT 6-FSI/C - 3212166



Fuse modular terminal block, fuse type: Flat, connection method: Push-in connection, cross section: 0.5 mm²- 10 mm², AWG: 20 - 8, nominal current: 25 A, nom. voltage: 400 V, width: 8.2 mm, fuse type: C, mounting type: NS 35/7,5, NS 35/15, color: black

Fuse modular terminal block - PT 6-FSI/C-LED 12 - 3212169



Fuse modular terminal block, fuse type: Flat, connection method: Push-in connection, cross section: 0.5 mm²- 10 mm², AWG: 20 - 8, nominal current: 25 A, nom. voltage: 12 V, width: 8.2 mm, fuse type: C, mounting type: NS 35/7,5, NS 35/15, color: black

Fuse modular terminal block - PT 6-FSI/C-LED 24 - 3212172



Fuse modular terminal block, fuse type: Flat, connection method: Push-in connection, cross section: 0.5 mm²- 10 mm², AWG: 20 - 8, nominal current: 25 A, nom. voltage: 24 V, width: 8.2 mm, fuse type: C, mounting type: NS 35/7,5, NS 35/15, color: black