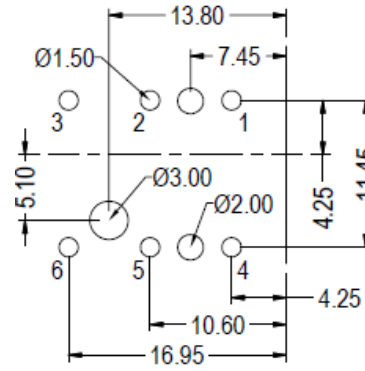
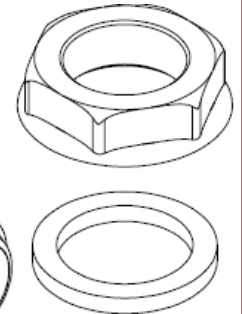
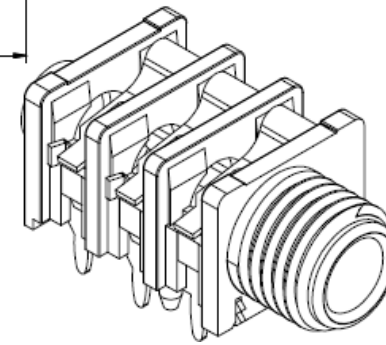


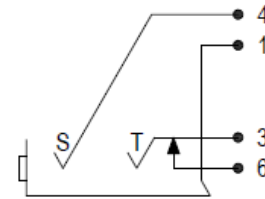
ISS.	AMEND	DATE
1	ISSUED	11/04/16

Specification

Withstand voltage: 2000V DC Min.
 Maximum Current: 5 amp.
 Temperature Rating: -10° C to +70° C
 Life (Minimum): 10,000+ Operations. Cr
 Nominal Contact Resistance: <50mΩ <100mΩ



PCB LAYOUT
(REAR SOLDER SIDE)



SCHEMATIC

RoHS
COMPLIANT

TOLERANCE
 NO DEC. PLACE ±
 1 DEC. PLACE ±
 2 DEC. PLACE ±
 HOLE Ø ±
 ANGLES ±
 UNLESS OTHERWISE STATED

ITEM	DESCRIPTION	MATERIAL	FINISH	QTY
1	JACK BODY	POLYAMIDE V2 CLASS	BLACK	1
2	MOVING CONTACT	PHOSPHOR BRONZE	TIN PLATE	1
3	MOVING CONTACT TIP	BERYLLIUM COPPER	TIN PLATE	1
4	FIXED CONTACT	BRASS	TIN PLATE	1
5	CHASSIS CONTACT	BRASS	TIN PLATE	1
6	WASHER	ABS / FIBRE	BLACK	1
7	NUT CL1408	POLYAMIDE V2 CLASS	BLACK	1

DIMENSIONS IN MILLIMETERS UNLESS OTHERWISE STATED. WORK TO DIMENSIONS. REMOVE ALL BURRS. IF IN DOUBT ASK.		3rd ANGLE PROJECTION:	DO NOT SCALE
MATERIAL: SEE TABLE		TITLE: S1 OFFSET MONO CHASSIS GROUND (RS 1115768 BAG 5x)	
FINISH: CLEAN		DRAWING No. RS50055	
DRAWN: T.J.O.		APPROVED: D.P.J.	
		FORM: A4DRWGH	