

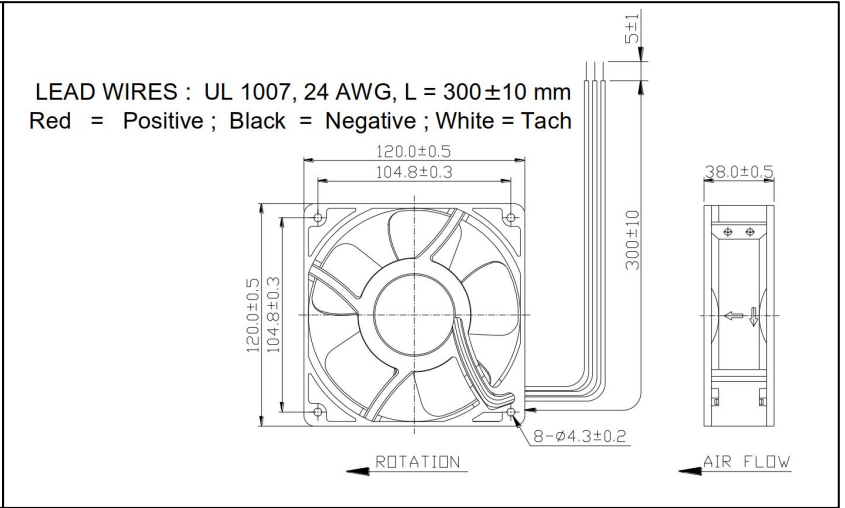


Datasheet

RS PRO DC FAN 120x38mm

Stock Number: 619-6545

EN



Frame	PBT UL94 V-0 Plastic
Impeller	PBT UL94 V-0 Plastic
Connection	3x Wire Leads, 24 AWG
Motor	Brushless DC, Auto Cutoff, Auto Restart, IC Protected
Bearing System	Dual Ball Bearings
Dielectric Strength	500VAC/min < 1mA
Insulation Resistance	10M ohm between leadwire and frame (500VDC)

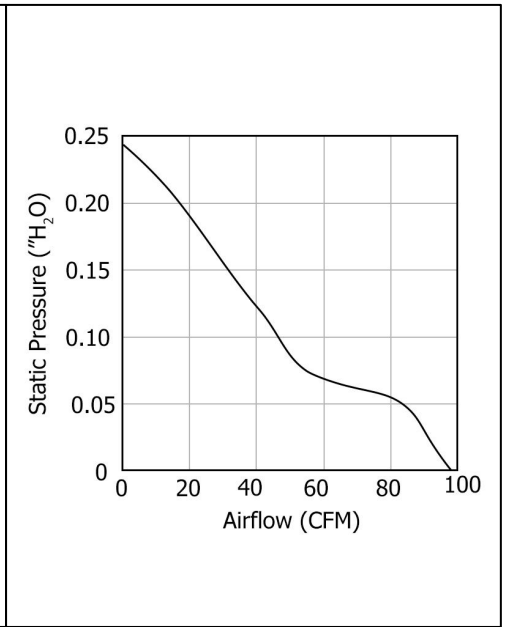
Operating Temperature
-10°C ~ +70°C

Storage Temperature
-40°C ~ +70°C

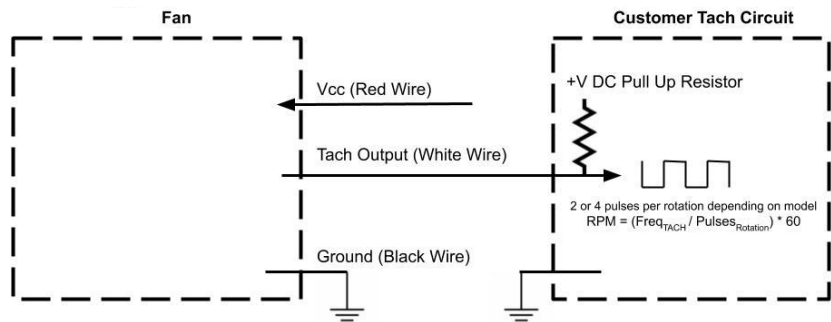
Life Expectancy
70,000 hours (L10 at 40°C)

Weight: 0.235Kgs (0.52 lbs)

m1



Model Number	619-6545
Rated Voltage	12 VDC
Rated Power	6.0 W
Rated Current	0.50 A
Rated Speed (RPM)	2800
Airflow (CFM)	99.6
Noise Level (dB)	49.8
Max. Static Pressure	0.24" H ₂ O



Tach Max Voltage = 12V
 Tach Max Current = 10mA
 Tach Low Voltage ≤ 1.0V
 Tach Pulses per rotation = 2