

Fig. 1

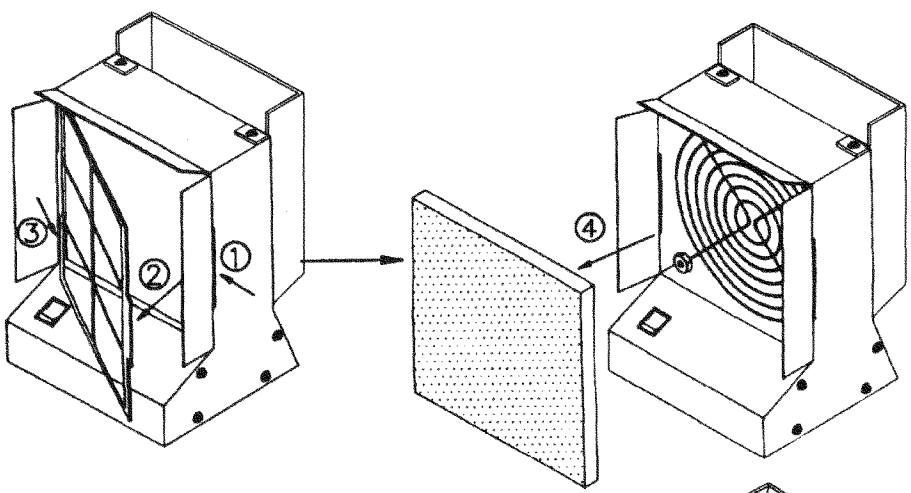
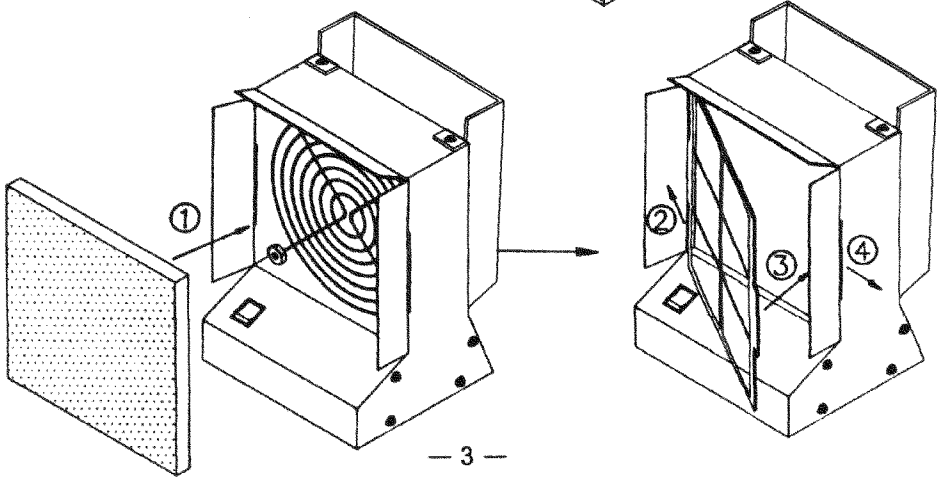


Fig. 2



FUME EXTRACTOR

426 DLX

INSTRUCTION MANUAL

The Fume Extractor 426DLX is a convenient and space saving method of removing noxious fumes from the work environment. Designed for use on the factory floor, in R&D or by the hobbyist, this new product provides an economical and efficient method to improve the work place and eliminate headaches, nausea and eye irritations often associated with exposure to solder fumes.

Flux is an integral part of the soldering process to prepare the work surface. Composed of rosin-resin and mixed with an activator (halogen organic agent) that, as the temperature increases, generate noxious components such as salicylic acid and pinene commonly seen as smoke rising from the work area.

High content ratios of resin generate phenol (C₆H₅OH) and the activators can emit hydrogen chloride (HCL) or other compounds. The US Government has occupational hazard standards controlling the permissible amounts of such compounds in the work area and the 426DLX when used properly, helps to meet those standards.

The 426DLX was developed with a high performance fan and an easy to replace activated carbon filter. The filter is made by joining specific foam with refined activated carbon. The activated carbon has a surface area of 1250 m²/gram and the total weight of the filter is 500 grams/meter square. The dust collection efficiency of the filter is 30% while the carbon filter can absorb up to 30% of its carbon weight in noxious components.

SPECIFICATIONS:

Input Power	As Requested (115V or 230V)
Wattage	20-22W
Maximum Air Volume	95/115 CFM
Outer Dimensions	(M) (H) (D)
	162 × 200 × 120mm (6.38×7.87×4.72in)
Weight (Excluding AC Cord)	1600 grams (3.5 lbs.)
filter (Size/Weight)	130 mm square/12 grams

OPERATING INSTRUCTIONS:

- ※ Ensure that the working voltage matches your power supply before beginning use.
- ※ Insert the AC power cord into the base unit and plug the other end into the socket.
- ※ Flip on the power switch.

MAINTENANCE:

Under normal operating conditions the filter should be replaced once a month or when excessive dust has obviously adhered to or discolored the filter. Failure to regularly change the filter will directly affect the absorption capacity and effectiveness of the Fume Extractor.

Easy to replace filter by opening the filter guide and install the activated carbon filter. Close Filter Gulide. See Fig. 1 & Fig. 2

REPLACEMENT PARTS:

Part Number	76-3313010
Name	Filter Set
Specifications	Activated Carbon Filter
For	Xytronic 426DLX and 456DLX