

Protective covers - HC-STA-B10-DC-PL - 1421101


Please be informed that the data shown in this PDF Document is generated from our Online Catalog. Please find the complete data in the user's documentation. Our General Terms of Use for Downloads are valid (<http://phoenixcontact.com/download>)



Protective covers, type: B10, degree of protection: IP20, color: transparent/white



Key Commercial Data

Packing unit	5 pc
Minimum order quantity	5 pc
GTIN	 4 055626 251813
GTIN	4055626251813
Weight per Piece (excluding packing)	6.800 g
Custom tariff number	85389099
Country of origin	China
Note	Made to Order (non-returnable)

Technical data

Dimensions

Height	22.1 mm
Width	46.4 mm
Length	76.6 mm

Ambient conditions

Degree of protection (IP)	IP20
Ambient temperature (operation)	0 °C ... 20 °C

General

Size	B10
Housing type	Protective cover
Color	transparent
Locking type	Clip locking
Material	PA

Protective covers - HC-STA-B10-DC-PL - 1421101

Technical data

General

Material, protective cover	PA
Flammability rating according to UL 94	HB

Standards and Regulations

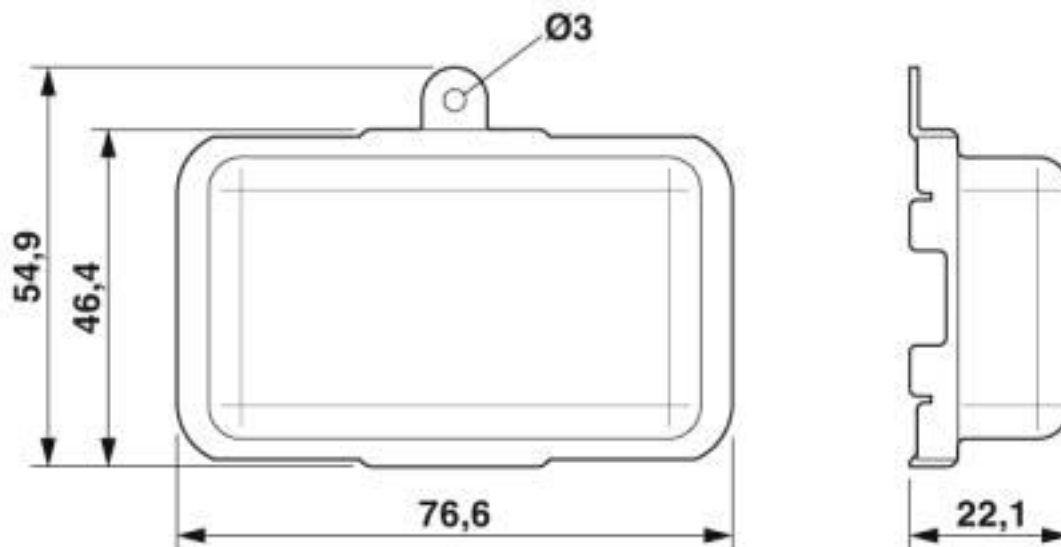
Flammability rating according to UL 94	HB
--	----

Environmental Product Compliance

China RoHS	Environmentally friendly use period: unlimited = EFUP-e
	No hazardous substances above threshold values

Drawings

Dimensional drawing



Dimensional drawing

Classifications

eCl@ss

eCl@ss 10.0.1	27440208
eCl@ss 5.1	27260700
eCl@ss 6.0	27261200
eCl@ss 7.0	27440208
eCl@ss 8.0	27440208
eCl@ss 9.0	27440208

ETIM

ETIM 5.0	EC002314
----------	----------

Protective covers - HC-STA-B10-DC-PL - 1421101

Classifications

ETIM

ETIM 6.0	EC002314
ETIM 7.0	EC002314

UNSPSC

UNSPSC 13.2	39121421
UNSPSC 18.0	39121421
UNSPSC 19.0	39121421
UNSPSC 20.0	39121421
UNSPSC 21.0	39121421

Approvals

Approvals

Approvals

DNV GL

Ex Approvals

Approval details

DNV GL		https://approvalfinder.dnvgl.com/	TAE000037S
--------	---	---	------------
