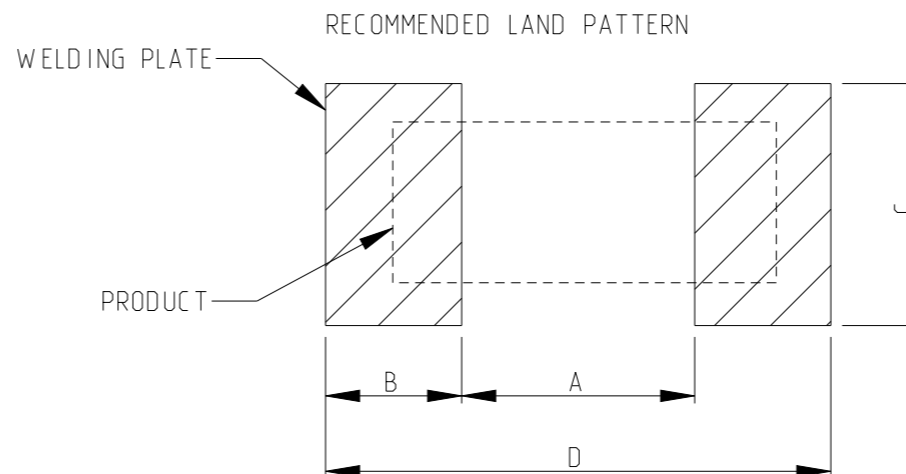
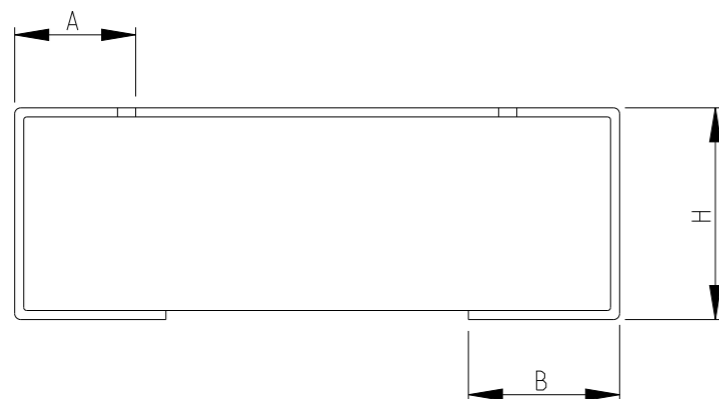
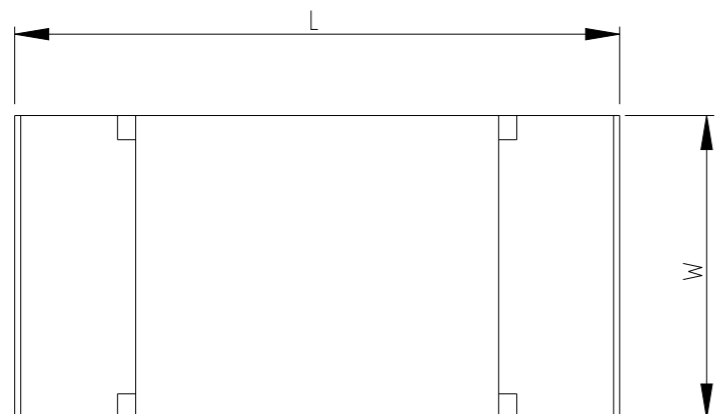


P	LTR	DESCRIPTION	DATE	DWN	APVD
	BA	NEW DRAWING	06FEB2026	CK	TG



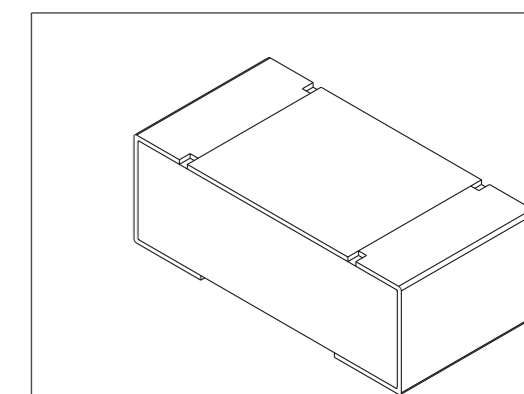
TEST BOARD CONSTRUCTION:
 PCB THICKNESS : 1.6mm SINGLE SIDED.
 COPPER LAYER THICKNESS : 32-36 µm

TYPE	SIZE (Inch)	A (mm)	B (mm)	C (mm)	D (mm)
CRGSP0402	0402	0.5±0.05	0.50±0.05	0.60±0.05	1.50±0.05

NOTES:

1. FOR FURTHER INFORMATION SEE DATA SHEET FOR CRGSP SERIES THICK FILM ANTI-SULPHUR PULSE CHIP RESISTOR

TYPE	SIZE (Inch)	L (mm)	W (mm)	H (mm)	A (mm)	B (mm)	UNIT WEIGHT (mg)
CRGSP0402	0402	1.00±0.10	0.50±0.05	0.35±0.05	0.20±0.10	0.25±0.10	1.36



RoHS Compliant

SCALE 50:1

THIS DRAWING IS A CONTROLLED DOCUMENT.		DWN 06FEB2026 CHANDRA K															
DIMENSIONS: mm		CHK 06FEB2026 TRACY G															
TOLERANCES UNLESS OTHERWISE SPECIFIED:		APVD 06FEB2026 TRACY G	NAME THICK FILM ANTI-SULPHUR PULSE CHIP RESISTOR TYPE CRGSP 0402 SERIES														
<table border="0"> <tr><td>0 PLC</td><td>±</td></tr> <tr><td>1 PLC</td><td>±</td></tr> <tr><td>2 PLC</td><td>±</td></tr> <tr><td>3 PLC</td><td>±</td></tr> <tr><td>4 PLC</td><td>±</td></tr> <tr><td>ANGLES</td><td>±</td></tr> </table>		0 PLC	±	1 PLC	±	2 PLC	±	3 PLC	±	4 PLC	±	ANGLES	±	PRODUCT SPEC	-		
0 PLC	±																
1 PLC	±																
2 PLC	±																
3 PLC	±																
4 PLC	±																
ANGLES	±																
MATERIAL		APPLICATION SPEC	-														
-		WEIGHT	-														
-		CUSTOMER DRAWING		SCALE 1:1	SHEET 1 OF 2												
		SIZE A3	CAGE CODE 00779	DRAWING NO. C=72218	RESTRICTED TO -												
				REV BA													

REVISIONS

P	LTR	DESCRIPTION	DATE	DWN	APVD
	-	SEE SHEET 1	-	-	-

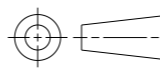
SCHEDULE

TCPN	CATALOGUE NUMBER	PART DESCRIPTION	PART STATUS
72218-1	CRGSP0402FZR	CRGSP0402 1% ZR	PRODUCTION
72218-2	CRGSP0402F1R0	CRGSP0402 1% 1R0	PRODUCTION
72218-3	CRGSP0402F10R	CRGSP0402 1% 10R	PRODUCTION
72218-4	CRGSP0402F20R	CRGSP0402 1% 20R	PRODUCTION
72218-5	CRGSP0402F49R9	CRGSP0402 1% 49R9	PRODUCTION
72218-6	CRGSP0402F100R	CRGSP0402 1% 100R	PRODUCTION
72218-7	CRGSP0402F1K0	CRGSP0402 1% 1K0	PRODUCTION
72218-8	CRGSP0402F1K5	CRGSP0402 1% 1K5	PRODUCTION
72218-9	CRGSP0402F2K0	CRGSP0402 1% 2K0	PRODUCTION
1-72218-0	CRGSP0402F7K5	CRGSP0402 1% 7K5	PRODUCTION
1-72218-1	CRGSP0402F10K	CRGSP0402 1% 10K	PRODUCTION
1-72218-2	CRGSP0402F20K	CRGSP0402 1% 20K	PRODUCTION
1-72218-3	CRGSP0402F49K9	CRGSP0402 1% 49K9	PRODUCTION
1-72218-4	CRGSP0402F75K	CRGSP0402 1% 75K	PRODUCTION
1-72218-5	CRGSP0402F100K	CRGSP0402 1% 100K	PRODUCTION
1-72218-6	CRGSP0402F150K	CRGSP0402 1% 150K	PRODUCTION
1-72218-7	CRGSP0402F200K	CRGSP0402 1% 200K	PRODUCTION
1-72218-8	CRGSP0402F1M0	CRGSP0402 1% 1M0	PRODUCTION
1-72218-9	CRGSP0402F2M0	CRGSP0402 1% 2M0	PRODUCTION
2-72218-0	CRGSP0402F10M	CRGSP0402 1% 10M	PRODUCTION
2-72218-1	CRGSP0402F33R	CRGSP0402 1% 33R	PRODUCTION
2-72218-2	CRGSP0402F47R	CRGSP0402 1% 47R	PRODUCTION
2-72218-3	CRGSP0402F220R	CRGSP0402 1% 220R	PRODUCTION
2-72218-4	CRGSP0402F240R	CRGSP0402 1% 240R	PRODUCTION
2-72218-5	CRGSP0402F330R	CRGSP0402 1% 330R	PRODUCTION
2-72218-6	CRGSP0402F470R	CRGSP0402 1% 470R	PRODUCTION
2-72218-7	CRGSP0402F680R	CRGSP0402 1% 680R	PRODUCTION
2-72218-8	CRGSP0402F2K2	CRGSP0402 1% 2K2	PRODUCTION
2-72218-9	CRGSP0402F2K7	CRGSP0402 1% 2K7	PRODUCTION

SCHEDULE

TCPN	CATALOGUE NUMBER	PART DESCRIPTION	PART STATUS
3-72218-0	CRGSP0402F3K3	CRGSP0402 1% 3K3	PRODUCTION
3-72218-1	CRGSP0402F4K7	CRGSP0402 1% 4K7	PRODUCTION
3-72218-2	CRGSP0402F5K1	CRGSP0402 1% 5K1	PRODUCTION
3-72218-3	CRGSP0402F15K	CRGSP0402 1% 15K	PRODUCTION
3-72218-4	CRGSP0402F27K	CRGSP0402 1% 27K	PRODUCTION
3-72218-5	CRGSP0402F30K	CRGSP0402 1% 30K	PRODUCTION
3-72218-6	CRGSP0402F33K	CRGSP0402 1% 33K	PRODUCTION
3-72218-7	CRGSP0402F62K	CRGSP0402 1% 62K	PRODUCTION
3-72218-8	CRGSP0402F2M7	CRGSP0402 1% 2M7	PRODUCTION

THIS DRAWING IS A CONTROLLED DOCUMENT.

DIMENSIONS: mm	TOLERANCES UNLESS OTHERWISE SPECIFIED:
	0 PLC ± 1 PLC ± 2 PLC ± 3 PLC ± 4 PLC ± ANGLES ±
MATERIAL	FINISH
-	-
-	-

DWN	06FEB2026
CHK	CHANDRA K
APVD	06FEB2026
TRACY G	
PRODUCT SPEC	
APPLICATION SPEC	
WEIGHT	-
CUSTOMER DRAWING	



THICK FILM ANTI-SULPHUR PULSE CHIP RESISTOR TYPE CRGSP 0402 SERIES

NAME	THICK FILM ANTI-SULPHUR PULSE CHIP RESISTOR TYPE CRGSP 0402 SERIES
SIZE	A3
CAGE CODE	00779
DRAWING NO	G=72218
RESTRICTED TO	-
SCALE	1:1
SHEET	2 OF 2
REV	BA