



Right angle strip headers, dual row 2.54x2.54 mm L.C.

INTERKON

FEATURES

Breakable strip pitch 2.54 mm.

TECHNICAL DATA

Material

Insulator material: black polyester P.B.T. UL94V-0

Contact: copper alloy

Electrical

Current rating: 3A maxi

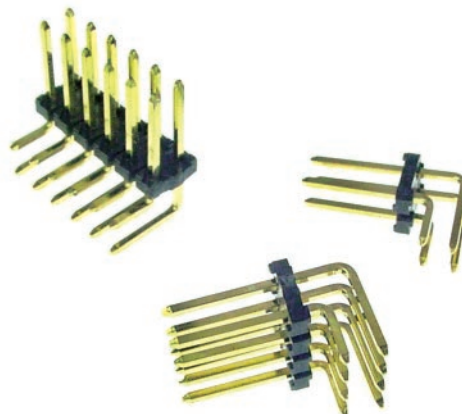
Dielectric withstanding: 100 V AC for one minute

Insulation resistance: 5×10^3 M Ω mini

Contact resistance: 10 m Ω max

Mechanical

Temperature rating: -40°C to 105°C



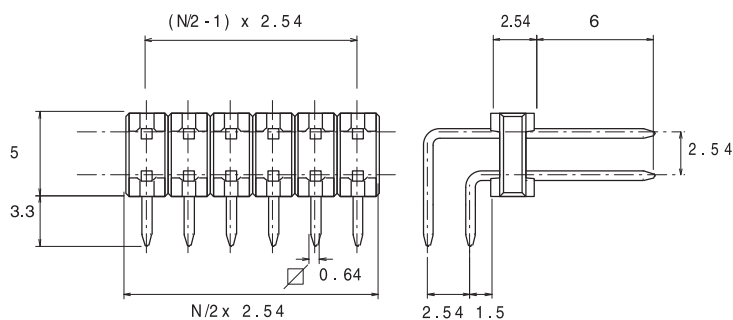
Call K-C for eventual tape and reel packaging availability (depending on quantity and number of contacts).
High temperature PA UL94V0 insulator available on demand.

a	b	c	d	e
474	9751	1	xx	4x0

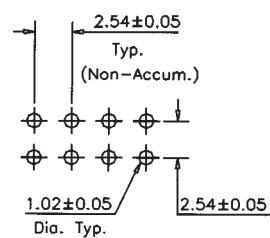
d Number of contacts from 04 to 80.

e Plating
 0 Gold 0.25 μ m
 1 Gold flash
 4 Tin

(N= Number of contacts)



Recommended P.C.Board Hole Layout



For alternative products see also page 71 and 90.