

Preset counters electronic

2 presets, totalizer and batch counter

Display LED, 8-digits, programmable

NE212



NE212 - LED Preset counter

Features

- Preset counter with two presets
- Display batch counter, main counter: 6-digits
- Display totalizer: 8-digits
- Batch counter, tachometer, totalizer, hour counter
- Operating mode, start count, scaling factor programmable
- Connection: Incremental encoder or digital sensors
- Preset mode programmable
- Interface RS232, RS422, RS485

Technical data - electrical ratings

| | |
|-----------------------------|---|
| Voltage supply | 24/48 VAC $\pm 10\%$ (50/60 Hz) 85...265 VAC (50/60 Hz) 24 VDC $\pm 10\%$ |
| Power consumption | 15 VA, 8 W |
| Sensor supply | 24/48 VAC: 12-26 VDC/80 mA 85...265 VAC: 24 VDC $\pm 20\%$ /200 mA 24 VDC: 24 VDC $\pm 20\%$ /200 mA |
| Display | LED, 7-segment display |
| Number of digits | 8-digits - totalizer 6-digits - hour/main/ batch counter, tachometer |
| Digit height | 7.6 mm |
| Function | Preset counter Main counter with 2 presets Batch counter with 1 preset Totalizer Hour counter |
| Scaling factor | 0.0001...9999.99 |
| Multitplier / batch counter | 1...99 |
| Count modes | Adding or subtracting Difference counting A-B Total (parallel) A+B Up/Down A 90° B phase evaluation |
| Counting frequency | 15 Hz, 25 Hz, 10 kHz programmable |
| Preset | 2 presets |
| Operating modes | Main preset, Parallel alignment, Trailing preset, Step preset |
| Data memory | >10 years in EEPROM |
| Reset | Button, electric or automatic |
| Outputs electronic | NPN / PNP transistor switch |

Technical data - electrical ratings

| | |
|----------------------------|---|
| Outputs relay | Potential-free change-over contact for main counter Normally open/closed potential-free for B1 |
| Output holding time | 0.01...99.99 s |
| Interfaces | RS232, RS422, RS485 |
| Standard DIN EN 61010-1 | Protection class II Overvoltage category II Pollution degree 2 |
| Emitted interference | DIN EN 61000-6-4 |
| Interference immunity | DIN EN 61000-6-2 |
| Programmable parameters | Operating modes Sensor logic Scaling factor Count mode Control inputs |
| Approval | UL approval / E63076 |

Preset counters electronic

2 presets, totalizer and batch counter

Display LED, 8-digits, programmable

NE212

Part number

NE212. **AXA2**

Voltage supply

- 1 24 / 48 VAC
- 2 85...265 VAC
- 3 24 VDC

Outputs

- 1 Relay outputs, B1 normally open
- 2 Relay outputs, B1 normally closed
- 3 Electronic outputs PNP
- 4 Electronic outputs NPN

Interface

- 0 Without interface
- 1 RS485
- 2 RS422
- 3 RS232

Technical data - mechanical design

| | |
|-------------------------|--|
| Ambient temperature | 0...+50 °C |
| Storage temperature | -20...+70 °C |
| Relative humidity | 80 % non-condensing |
| Connection | Plug-in screw terminal connector |
| Core cross-section | 1.5 mm ² |
| Protection DIN EN 60529 | IP 65 (face with seal) |
| Operation / keypad | 10 figure keypad with 5 function keys |
| Housing type | Built-in housing |
| Dimensions W x H x L | 72 x 72 x 108 mm |
| Mounting depth | 108 mm |
| Mounting | Clip frame for built-in housing |
| Cutout dimensions | 68 x 68 mm (+0.7) |
| Weight approx. | 320 g (24 VDC/85-265 VAC), 450 g (24/48 VAC) |
| Materials | Housing: Makrolon 6485 (PC) Keypad: Polyester |

Trigger level

| Optocoupler inputs | Input circuit |
|--------------------------|--------------------------|
| Control inputs | PNP- / NPN-logic |
| Count input | |
| Trigger current | 9...16 mA |
| Switch-off current | <0.5 mA |
| Input resistance | 1.65 kΩ |
| Reset input | |
| Trigger current | 5...8 mA |
| Switch-off current | <0.5 mA |
| Input resistance | 3.3 kΩ |
| Relay outputs | Output circuit |
| Switching voltage max. | 250 VAC / 110 VDC |
| Switching current max. | 1 A |
| Switching capacity max. | 150 VA / 30 W |
| Relay responding time | 5 ms |
| Electronical outputs | Output circuit |
| PNP-switching transistor | Open collector |
| Switching voltage | 24 VDC ±20 % |
| Switching current max. | 10 mA (AC) 50 mA (DC) |
| NPN-switching transistor | Open collector |
| Switching voltage max. | 35 V |
| Switching current max. | 50 mA |

Preset counters electronic

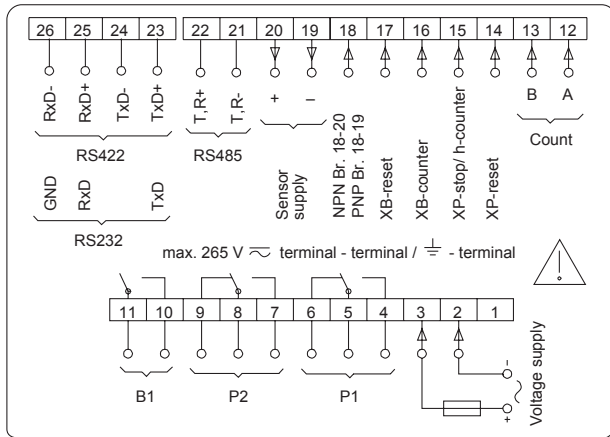
2 presets, totalizer and batch counter

Display LED, 8-digits, programmable

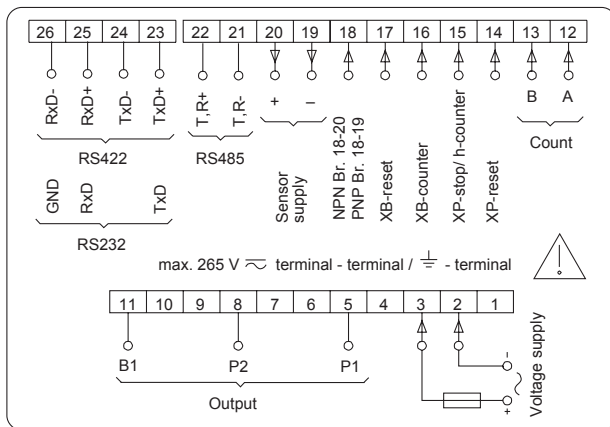
NE212

Connection diagram

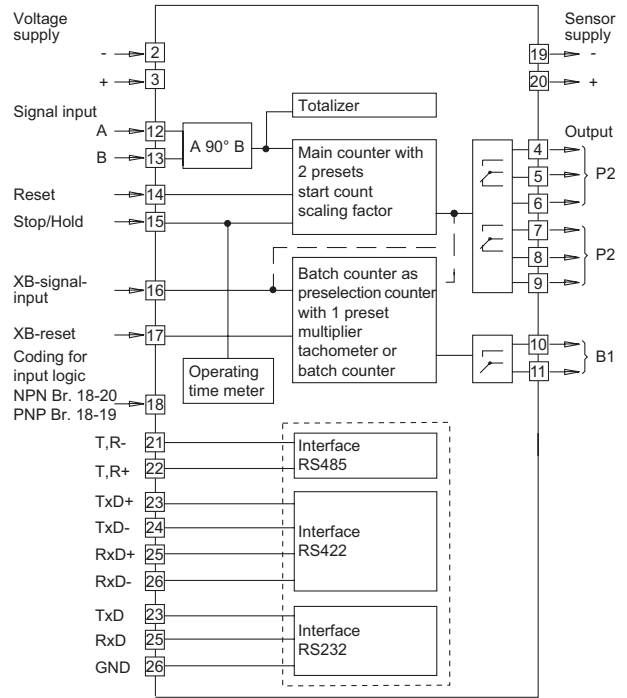
Relay outputs



Electronic outputs



Block circuit diagram



Preset counters electronic

2 presets, totalizer and batch counter
Display LED, 8-digits, programmable

NE212

Dimensions

