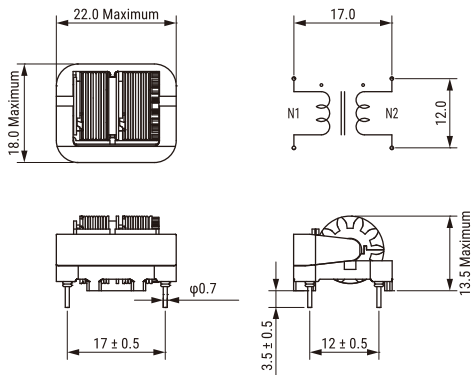


KEMET Part Number: SSR10HS-17048
(UALR10HS170480)

KEMET, SSR10VS/HS, AC Line Filters, Common Mode, 4800 uH



Dimensions

L	22mm MAX
T	18mm MAX
H	13.5mm MAX
LL	3.5mm +/-0.5mm
S	17mm +/-0.5mm

Packaging Specifications

Packaging:	Tray
Packaging Quantity:	300
Weight:	9 g

General Information

Series:	SSR10VS/HS
Style:	Through-Hole
Features:	Compact Size, Low Profile, Light Weight, High Frequency, Broad Bandwidth
RoHS:	Yes
Miscellaneous:	55 (K) Temperature Rise Max.

Specifications

Voltage AC:	250 VAC
Inductance:	4.8 mH (10 kHz)
Current:	1.7 A
Temperature Range:	-25/+120°C
DC Resistance:	170 mOhms